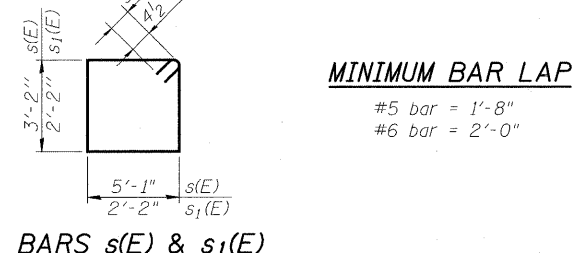
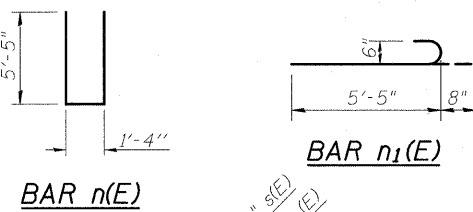
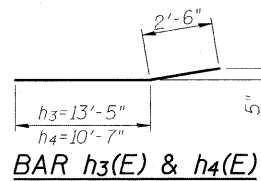
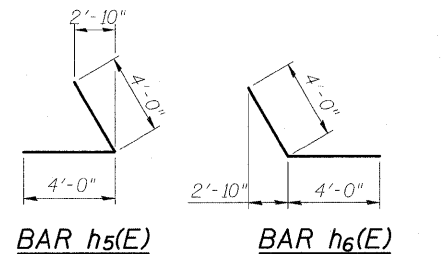
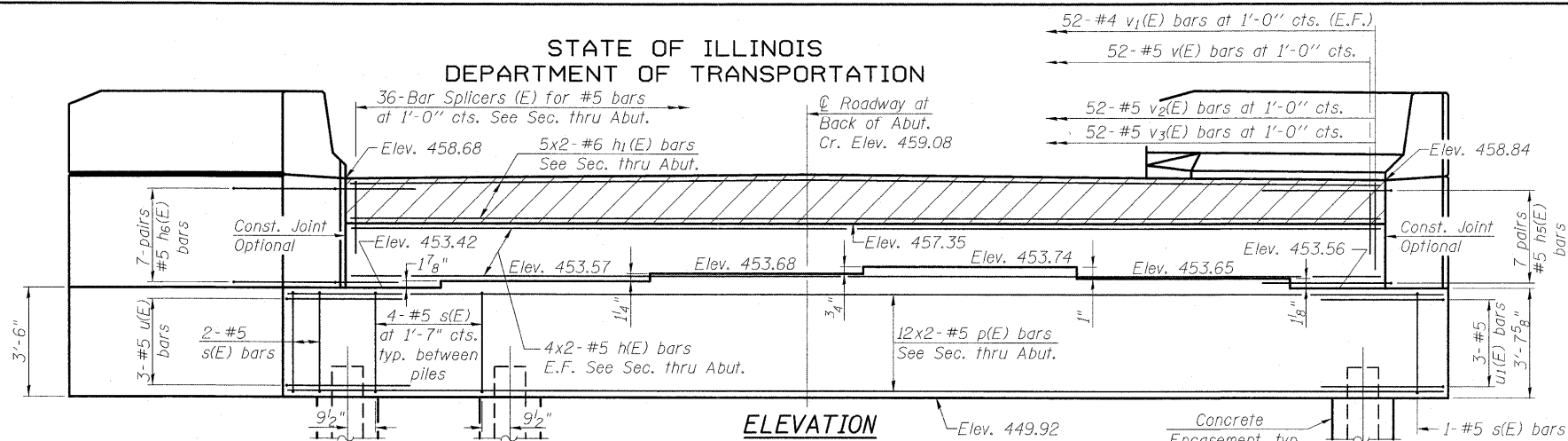
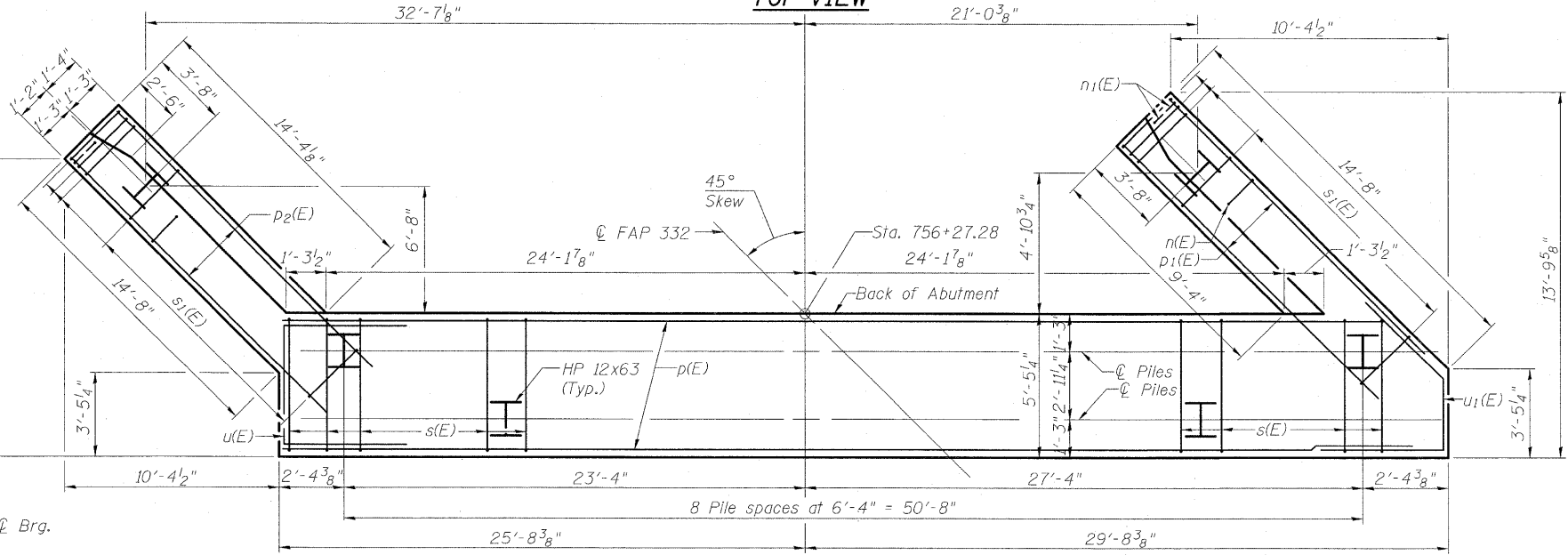
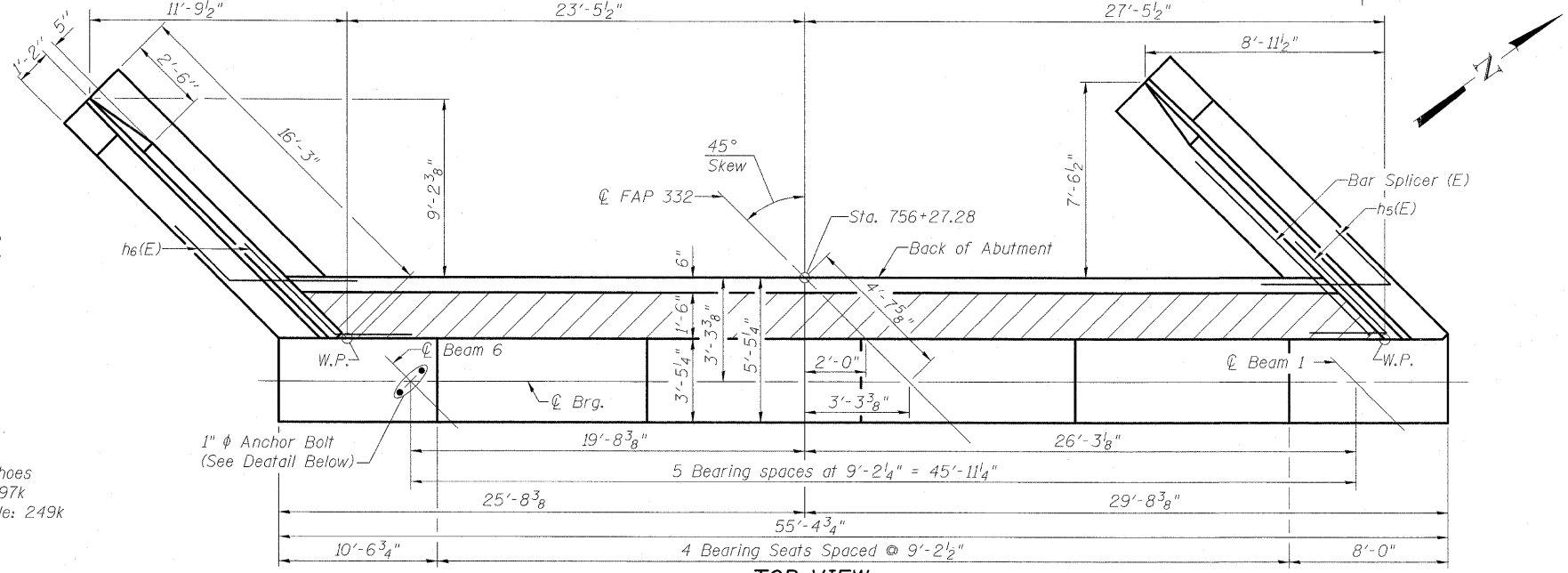
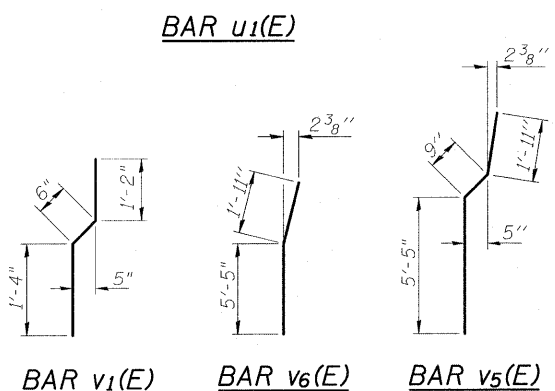
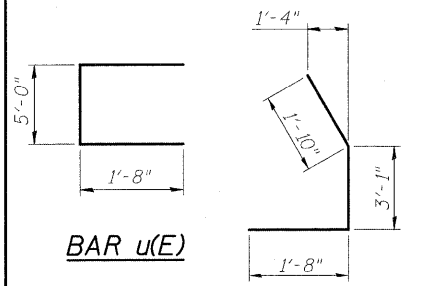


STATE OF ILLINOIS
DEPARTMENT OF TRANSPORTATION



PILE DATA
Type: HP 12x63 with Pile Shoes
Nominal Required Bearing: 497k
Factored Resistance Available: 249k
Est. Length: 38'-0"
No. Production Piles: 11
No. Test Piles: None



Notes:
Top of Pile Elev. = 451.92
For details of Bar Splicers, see sheet 21 of 27.
For details of piles and Concrete Encasement, see sheet 24 of 27.
For concrete sealer application see sheet 17 of 27.
E.F. indicates Each Face
For Section Thru Abutment and Wingwalls see sheet 16 of 27.

**WEST ABUTMENT
BILL OF MATERIAL**

Bar	No.	Size	Length	Shape
h(E)	16	#5	26'-2"	—
h1(E)	10	#6	26'-4"	—
h2(E)	24	#4	14'-4"	—
h3(E)	8	#4	15'-11"	—
h4(E)	8	#4	13'-1"	—
h5(E)	14	#5	8'-0"	—
h6(E)	14	#5	8'-0"	—
n(E)	26	#6	12'-2"	—
n1(E)	12	#6	6'-1"	—
p(E)	24	#5	28'-7"	—
p1(E)	6	#7	14'-4"	—
p2(E)	6	#7	15'-11"	—
s(E)	35	#5	17'-5"	—
s1(E)	30	#4	9'-5"	—
u(E)	3	#5	8'-4"	—
u1(E)	3	#5	6'-7"	—
v(E)	52	#5	5'-7"	—
v1(E)	52	#4	3'-0"	—
v2(E)	52	#5	7'-2"	—
v3(E)	52	#5	2'-9"	—
v4(E)	32	#6	7'-9"	—
v5(E)	26	#6	8'-0"	—
v6(E)	6	#6	7'-4"	—
Structure Excavation		Cu. Yd.	124.9	
Concrete Structures		Cu. Yd.	72.3	
Reinforcement Bars, Epoxy Coated		Pound	5690	
Furnishing Steel Piles HP 12x63		Foot	418	
Driving Piles		Foot	418	
Concrete Encasement		Cu. Yd.	3.8	
Pile Shoes		Each	11	
Concrete Sealer		Sq. Ft.	542.0	
Bar Splicers		Each	36	

**WEST ABUTMENT
ILLINOIS ROUTE 1
OVER NORFOLK SOUTHERN RR
STA. 757+97.66**

DESIGNED B.B.
CHECKED C.J.F.
DRAWN J.G.
CHECKED C.J.F. & B.B.

ANCHOR BOLT DETAIL

PLAN-PILE CAP
BERNARDIN LOCHMUELLER & ASSOCIATES, INC.

3 Oak Drive
Maryville, IL 62062-5635
Local (618) 288-4666
Fax 618-288-4666

SHEET NO. 14	F.A.P. RTE. 332	SECTION 103B-1	COUNTY WABASH	TOTAL SHEETS 90	SHEET NO. 49
27 SHEETS	SN 093-0023		CONTRACT NO. 94754		
FED. ROAD DIST. NO. 7 ILLINOIS FED. AID PROJECT 332					