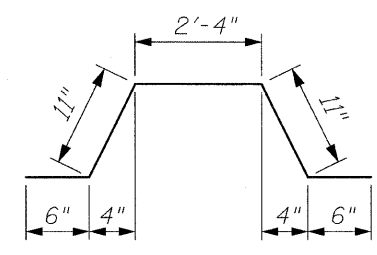


BILL OF MATERIAL

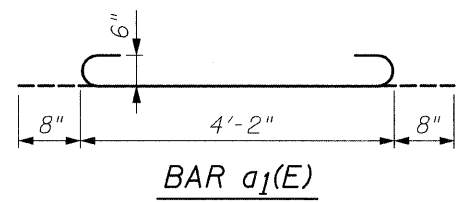
Bar	No.	Size	Length	Shape
a(E)	304	#6	4'-2"	—
a ₁ (E)	304	#6	5'-6"	⊂
b(E)	28	#6	30'-10"	—
b ₁ (E)	14	#6	24'-8"	—
b ₂ (E)	84	#6	32'-0"	—
b ₃ (E)	28	#6	31'-7"	—
c(E)	304	#6	5'-2"	⌒
Reinforcement Bars, Epoxy Coated		Pound	13,950	
Concrete Removal		Cu. Yd.	49.4	
Concrete Superstructure		Cu. Yd.	60.2	

PROPOSED PLAN OF LONGITUDINAL JOINT CLOSURE

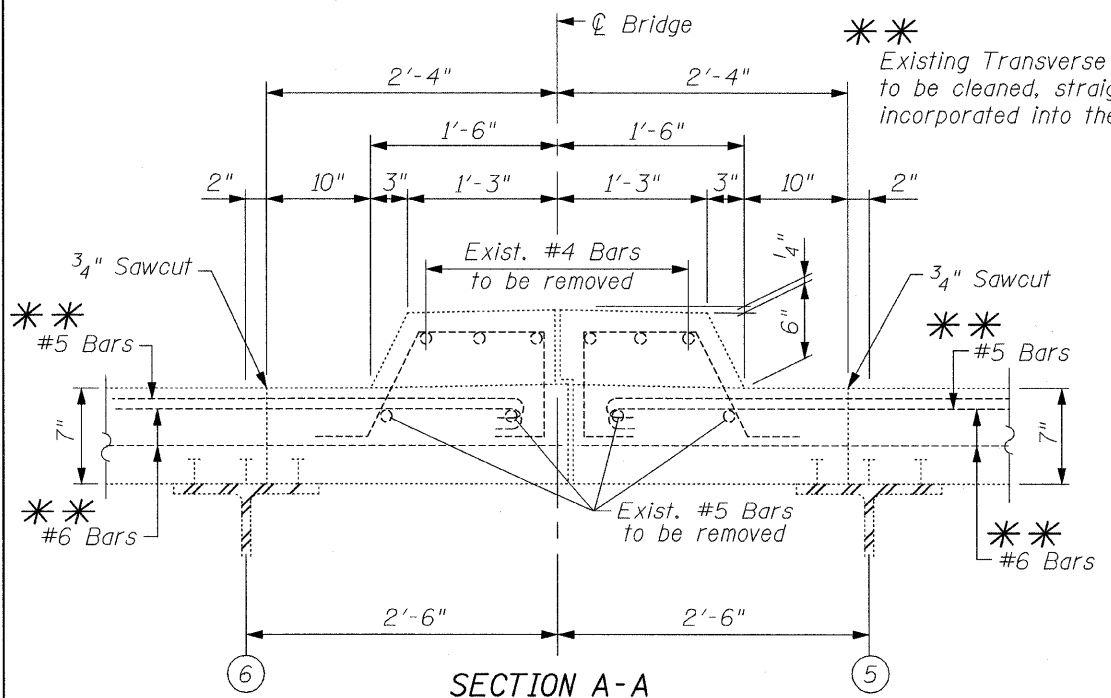
NOTE:
Bars Indicated Thus 6x2-#6 etc., Indicates 6 Lines of Bars with 2 Lengths Per Line.



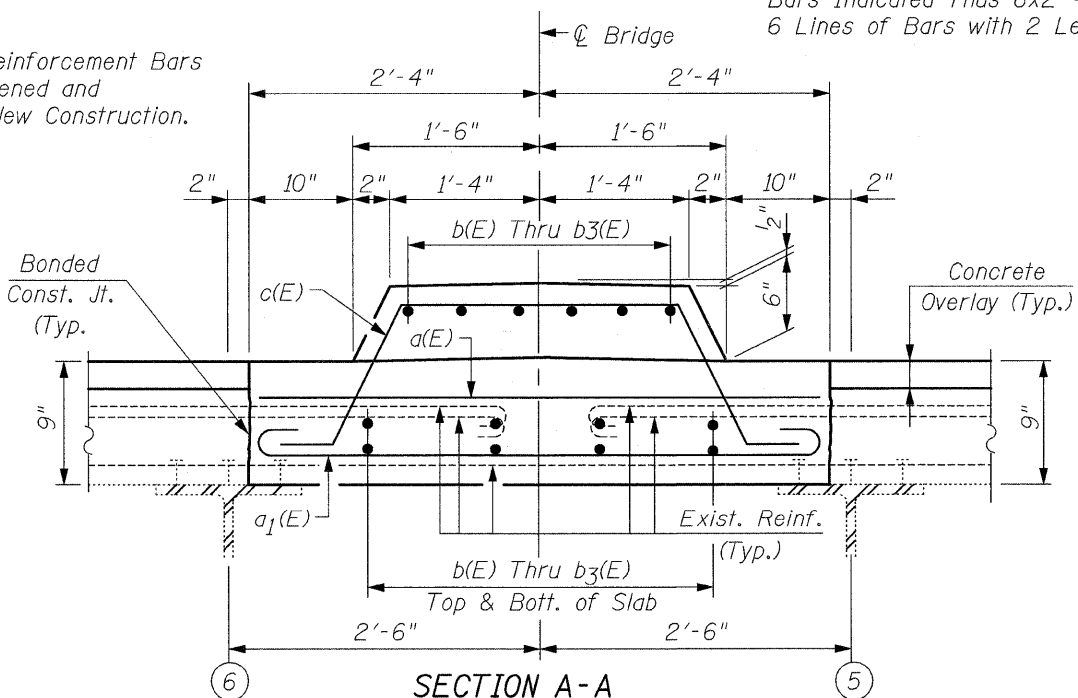
BAR c(E)



BAR a₁(E)



SECTION A-A EXISTING LONGITUDINAL JOINT



SECTION A-A PROPOSED RECONSTRUCTED LONGITUDINAL JOINT

NOTES:
See Sht's. S9 Thru S15 for Transverse Joint Reconstruction Details.
Work This Sheet with Sht. S8.