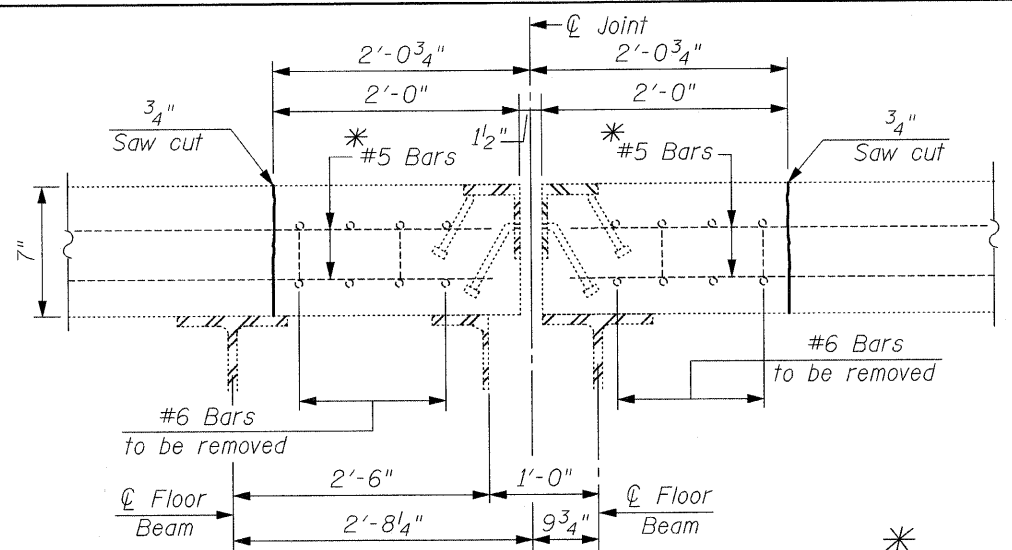
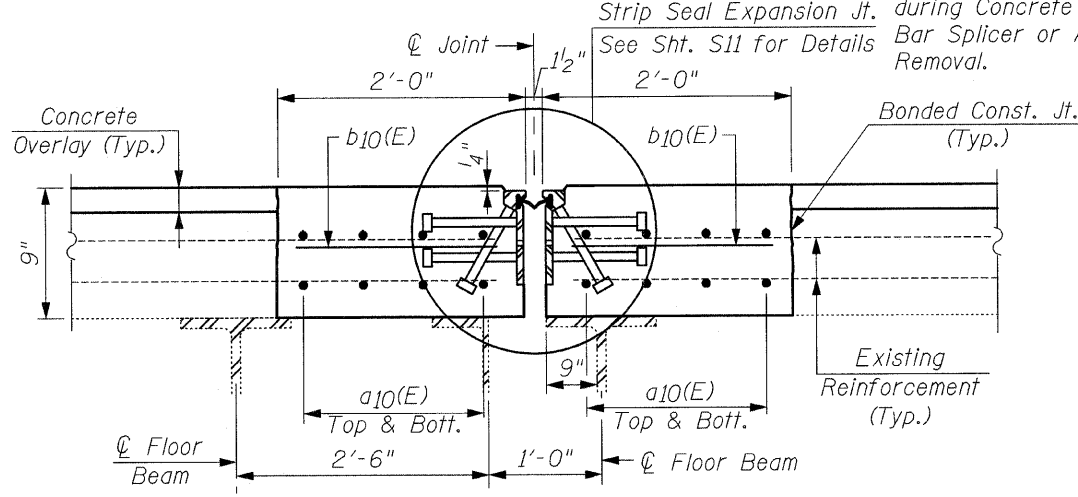


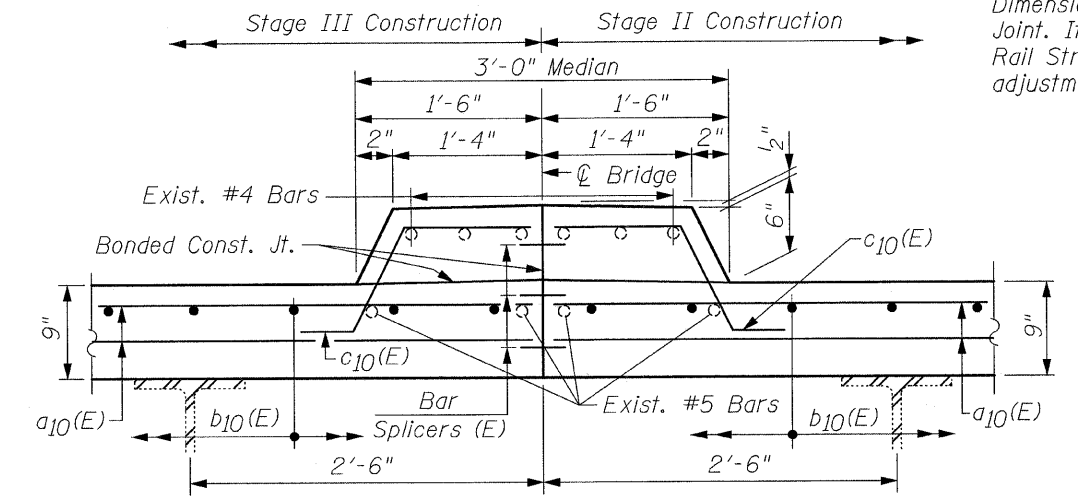
PROPOSED TRANSVERSE JOINT, TYPE A
PARTIAL PLAN



SECTION B-B
EXISTING TRANSVERSE JOINT, TYPE A



SECTION B-B
PROPOSED TRANSVERSE JOINT, TYPE A

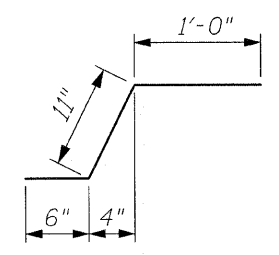


SECTION C-C
PROPOSED SECTION AT MEDIAN

BILL OF MATERIAL

Bar	No.	Size	Length	Shape
a10(E)	32	#6	27'-8"	—
b10(E)	112	#5	1'-8"	—
c10(E)	16	#6	2'-5"	┘
Reinforcement Bars, Epoxy Coated			Pound	1,580
Concrete Removal			Cu. Yd.	5.1
Concrete Superstructure			Cu. Yd.	6.5
Bar Splicers			Each	24

* The Existing Reinforcement Bars extending into the removal area shall be cleaned, straightened and incorporated into the new Construction. Any Reinforcement Bars that are damaged during Concrete Removal shall be replaced with an approved Bar Splicer or Anchorage System. Cost included with Concrete Removal.



BAR c10(E)

NOTE:
Dimensions are based on a Rolled Rail Strip Seal Joint. If the Contractor elects to use the Welded Rail Strip Seal Joint, deck dimensions may require adjustments to match the details on Sht. S11.

FILE NAME = tran.jt recon-type-A.dgn
PLOT DATE = 7/9/2009

CHRISTIAN-ROGE & ASSOCIATES, INC.
ENGINEERS-PLANNERS-SURVEYORS
211 WEST WACKER DRIVE
CHICAGO, ILLINOIS 60606
PHONE: (312)372-2023 FAX: (312)372-5274

DESIGNED - B.N.S./J.C.N. REVISIONS -
DRAWN - D.L./R.E.S./F.M. REVISIONS -
CHECKED - B.N.S./J.C.N. REVISIONS -
DATE - JULY 8, 2009 REVISIONS -

STATE OF ILLINOIS
DEPARTMENT OF TRANSPORTATION

TRANSVERSE JOINT RECONSTRUCTION, TYPE A
KEDZIE AVENUE OVER CAL-SAG CHANNEL S.N. 016-0762

SCALE: SHEET NO. S9 OF S29 SHEETS STA. TO STA.

F.A.U. RTE.	SECTION	COUNTY	TOTAL SHEETS	SHEET NO.
2831	1313, 1-1-2	COOK	41	18
CONTRACT NO. 60D75				
FED. ROAD DIST. NO. 1 ILLINOIS FED. AID PROJECT				