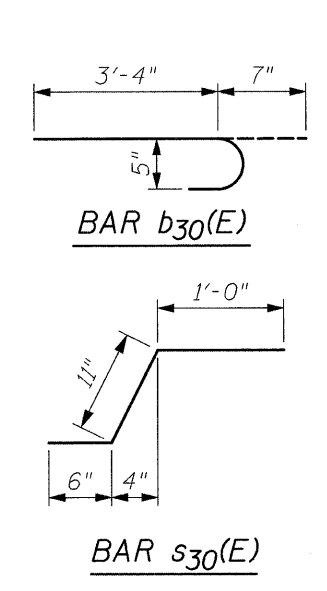
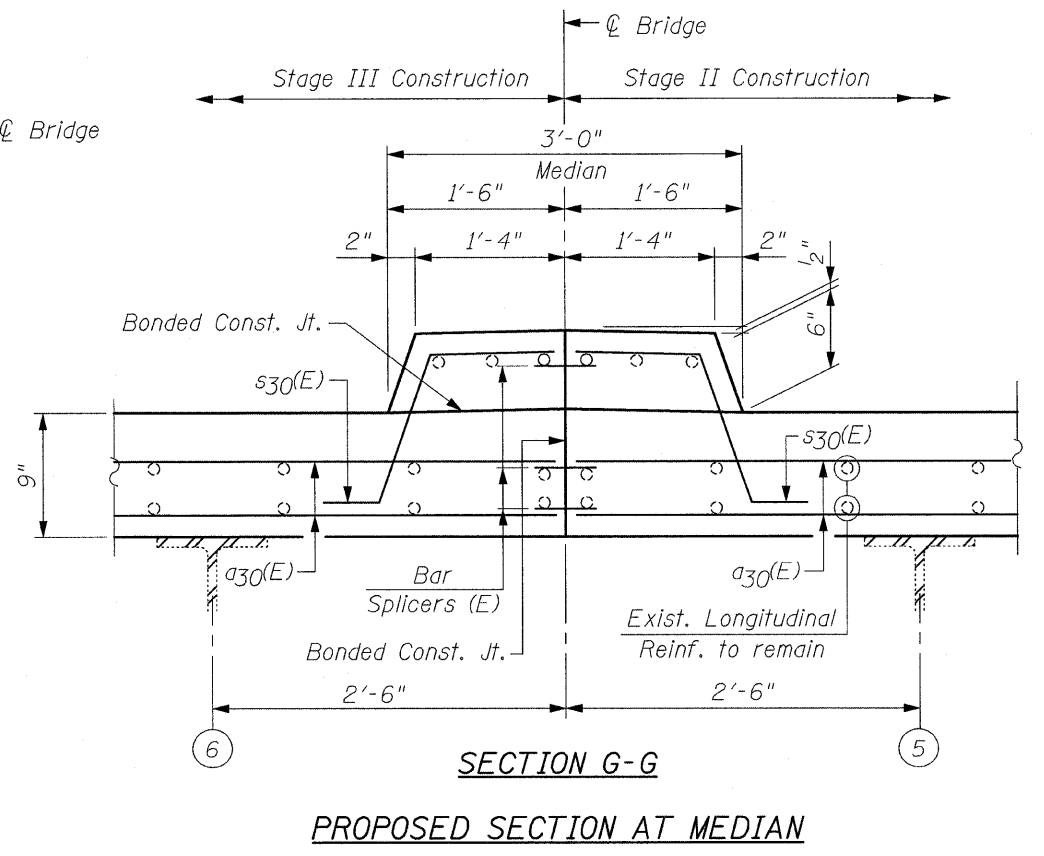


PROPOSED TRANSVERSE JOINT, TYPE C
PARTIAL PLAN



BILL OF MATERIAL

Bar	No.	Size	Length	Shape
a30(E)	64	#5	27'-8"	—
b30(E)	80	#5	4'-1"	U
s30(E)	24	#5	2'-5"	∟
Reinforcement Bars, Epoxy Coated		Pound	2,250	
Bar Splicers		Each	44	
Finger Plate Expansion Joint, 5"		Foot	56	
Concrete Removal		Cu. Yd.	9.1	
Concrete Superstructure		Cu. Yd.	11.6	
Fabric Reinforced Elastomeric Trough		Foot	67	



SECTION G-G
PROPOSED SECTION AT MEDIAN

NOTES:
For Plan of Finger Plate Expansion Device, See Sht. S14.
Work this Sheet with Sht's. S13, S14 & S15.