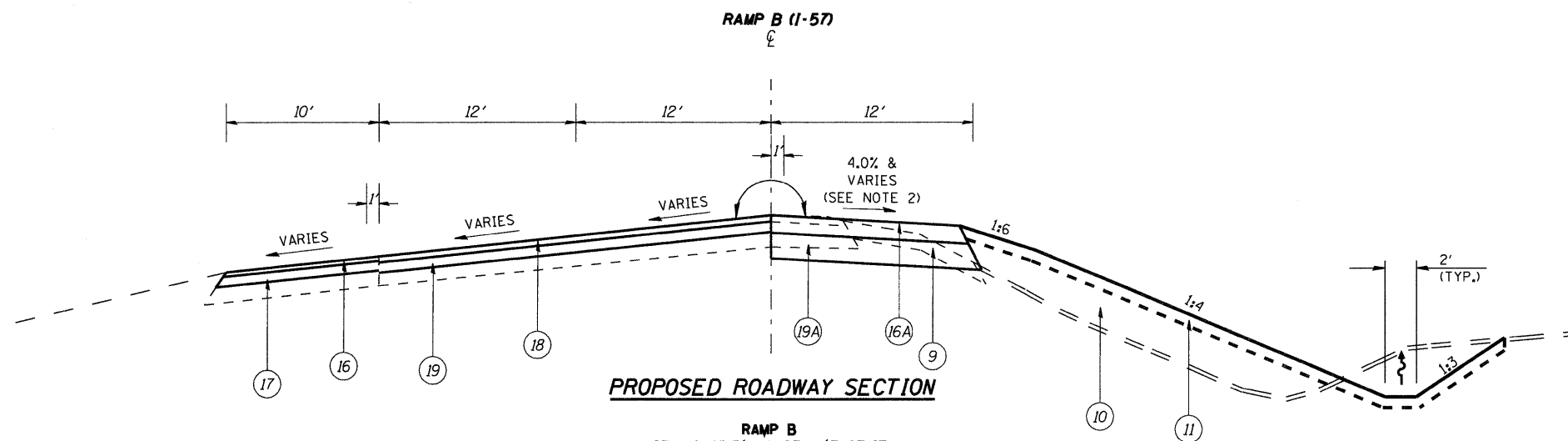


EXISTING ROADWAY SECTION

RAMP B
STA. 9+65.51 TO STA. 17+67.43



PROPOSED ROADWAY SECTION

RAMP B
STA. 9+65.51 TO STA. 17+67.43

LEGEND

- (1) EXISTING C.R.C PAVEMENT, 10"
- (2) EXISTING SUB-BASE, 4"
- (3) EXISTING STAB. SHOULDER, 14"
- (4) EXISTING HMA SURF. CSE., 1 3/4"
- (5) EXISTING HMA BINDER CSE., 2 1/2"
- (6) EXISTING HMA SHOULDER TYPE A, 6"
- (7) EXISTING AGGREGATE SHOULDER
- (8) EXISTING LEVELING BINDER (MACHINE METHOD) MIX "C"
- (9) EARTH EXCAVATION
- (10) FURNISHED EXCAVATION
- (10A) PROPOSED AGGREGATE SHOULDER, TYPE B 8"
- (10B) PROPOSED AGGREGATE WEDGE SHOULDER, TYPE B (6")
- (11) PROPOSED TOPSOIL FURNISH AND PLACE, 4"
- (12) PROPOSED HMA SURF. CSE. REMOVAL, 3 3/4"
- (13) PROPOSED HMA SURF. CSE. REMOVAL, 4"
- (14) PROPOSED POLYMERIZED HMA SURF. CSE., SMA, N80 (2")
- (15) PROPOSED POLYMERIZED HMA BINDER CSE., SMA, N80 (2")
- (16) PROPOSED HMA SURF. CSE., MIX "D", N70 (1 1/2")
- (16A) PROPOSED HMA SHOULDER, 8"
- (17) PROPOSED HMA BINDER COURSE, IL-19.0, N70 (2 1/4")
- (18) PROPOSED POLYMERIZED HMA SURF. CSE. MIX "F", N90 (1 3/4")
- (19) PROPOSED POLYMERIZED HMA BINDER CSE., IL-19.0, N90 (2 1/4")
- (19A) PROPOSED SUB-BASE GRANULAR MATERIAL, TYPE B (12")
- (20) PROPOSED WET REFLECTIVE TEMPORARY TAPE, TYPE III, 4"
- (21) PROPOSED WET REFLECTIVE TEMPORARY TAPE, TYPE III, 5"
- (22) PROPOSED TYPE II BARRICADE WITH FLASHING LIGHTS (AT 25' C-C)
- (23) TEMPORARY CONCRETE BARRIER

NOTES:

1. TAPER FROM 4.4' AT STA. 9+65.51 TO 12.0' AT STA. 10+00.00; MAINTAIN CONSTANT 12.0' WIDTH FROM STA. 10+00.00 TO STA. 17+67.43.
2. VARIES FROM -4.00% AT STA. 9+65.51 TO -2.00% AT STA. 12+00.00; AND FROM -2.00% AT STA. 17+00.00 TO +6.79% AT STA. 17+67.43; MAINTAIN CONSTANT -2.00% CROSS SLOPE BETWEEN STA. 12+00.00 TO STA. 17+00.00.

FILE NAME =	USER NAME = *USER*	DESIGNED - FML	REVISED -	STATE OF ILLINOIS DEPARTMENT OF TRANSPORTATION	TYPICAL SECTIONS I-80 RAMP (EASTBOUND TO NORTH BOUND I-57)			F.A.I. RTE.	SECTION	COUNTY	TOTAL SHEETS	SHEET NO.	
FILEL		DRAWN - FML	REVISED -		SCALE: NONE	SHEET NO. 2 OF 2 SHEETS	STA. 9+65.51 TO STA. 17+67.43	80	0709-1027K-1	COOK	80	6	
		CHECKED - PBL	REVISED -										
		DATE - 07/08/2009	REVISED -										
								CONTRACT NO. 60F61					
								FED. ROAD DIST. NO. ILLINOIS FED. AID PROJECT					