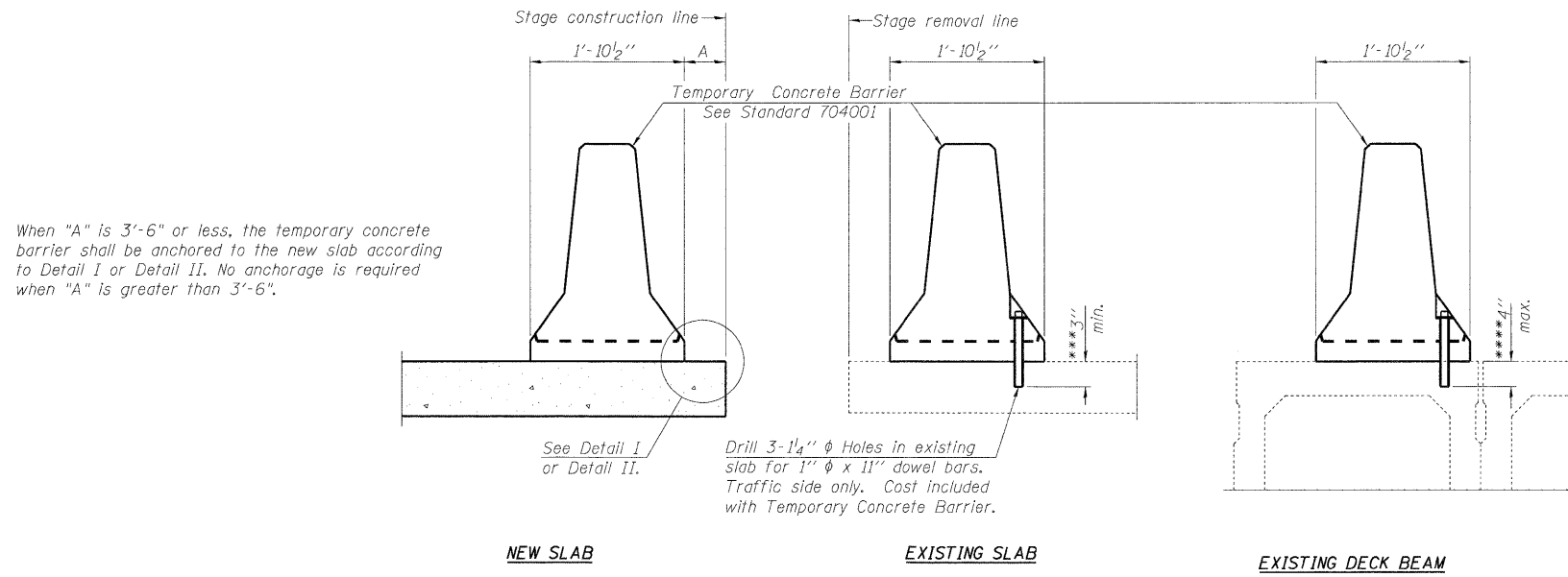


STATE OF ILLINOIS  
DEPARTMENT OF TRANSPORTATION



SECTIONS THRU SLAB OR DECK BEAM

**NOTES**

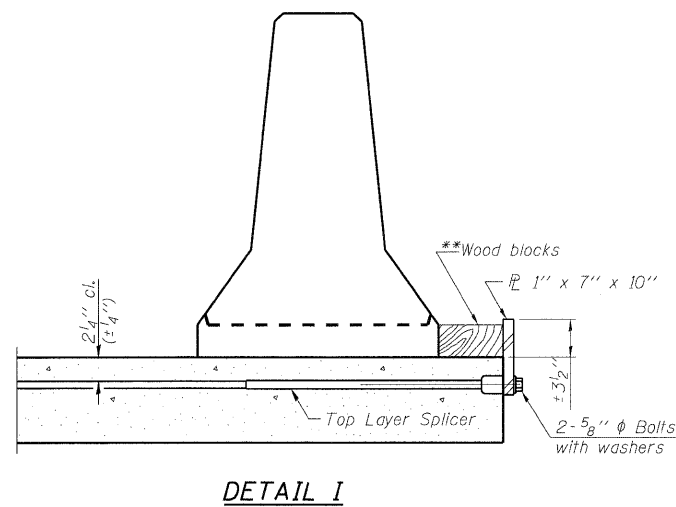
Detail I - With Bar Splicer or Couplers:  
Connect one (1) 1"x7"x10" steel PL to the top layer of couplers with 2-5/8" phi bolts screwed to coupler at approximate center of each barrier panel.

Detail II - With Extended Reinforcement Bars:  
Connect one (1) 1"x7"x10" steel PL to the concrete slab or concrete wearing surface with 2-5/8" phi Expansion Anchors or cast in place inserts spaced between the top layer of reinforcement at approximate center of each barrier panel.

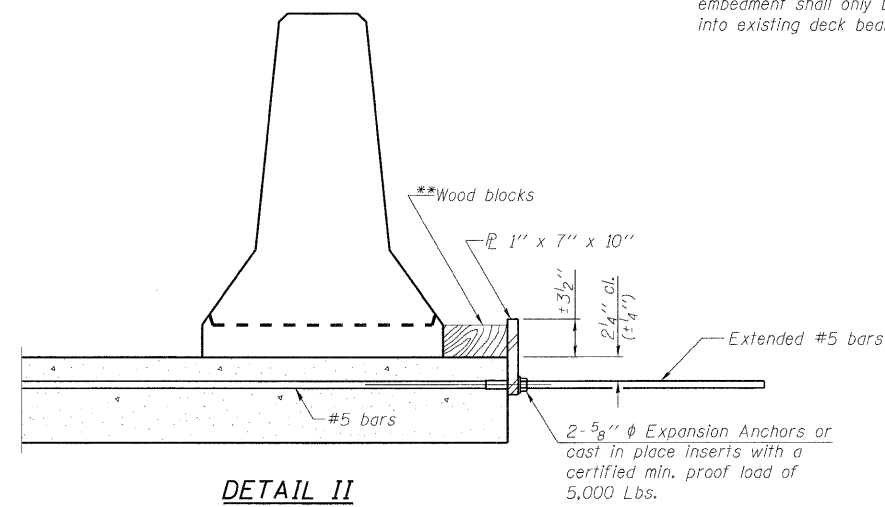
Cost of anchorage is included with Temporary Concrete Barrier. The 1" x 7" x 10" plate shall not be removed until stage II construction forms and all reinforcement bars are in place and the concrete is ready to be placed.

\*\*\* Dimension shown is minimum required embedment into concrete. If hot-mix asphalt wearing surface is present, minimum embedment shall be in addition to wearing surface depth.

\*\*\*\* If existing deck beam is to remain in place after stage construction, embedment shall only be into wearing surface and not into existing deck beam concrete.

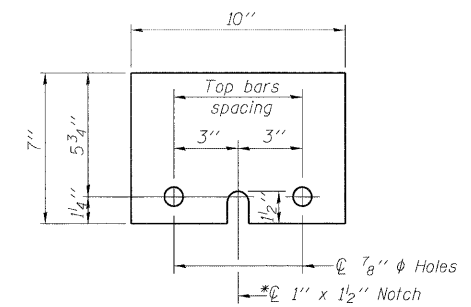


DETAIL I



DETAIL II

\*\*Wood blocks may be omitted when required to provide minimum stage traffic lane width. When the wood blocks are omitted, the concrete barrier shall be in direct contact with the steel retainer plate.



STEEL RETAINER PL 1" x 7" x 10"

\* Required only with Detail II

DESIGNED	SLV
CHECKED	MJM
DRAWN	SLV
CHECKED	MJM

R-27

10-1-08

**LONCO, INC.**  
CONSULTING ENGINEERS  
1560 WALL ST, SUITE 222  
NAPERVILLE, ILLINOIS 60563 PH: (630) 577-9100

**TEMPORARY CONCRETE BARRIER  
FOR STAGE CONSTRUCTION  
STRUCTURE NO. 016-2514**

SHEET NO. S4 OF S15 SHEETS	F.A.U. RTE. 1320	SECTION 581 B-1	COUNTY COOK	TOTAL SHEETS 33	SHEET NO. 15
	D-91-288-09		CONTRACT NO. 60F91		
FED. ROAD DIST. NO. ILLINOIS FED. AID PROJECT					