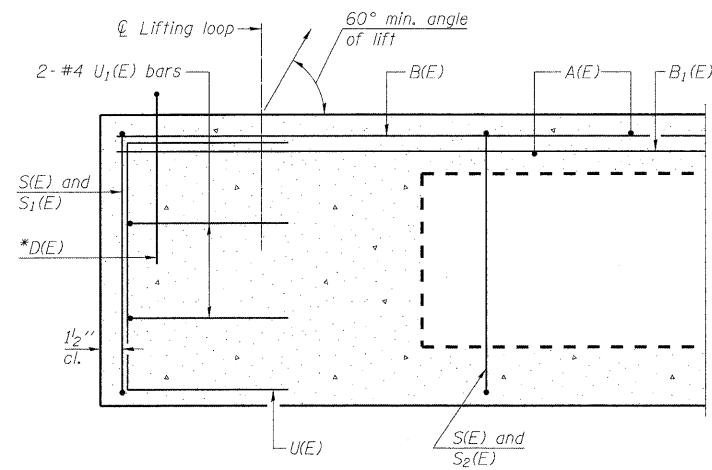
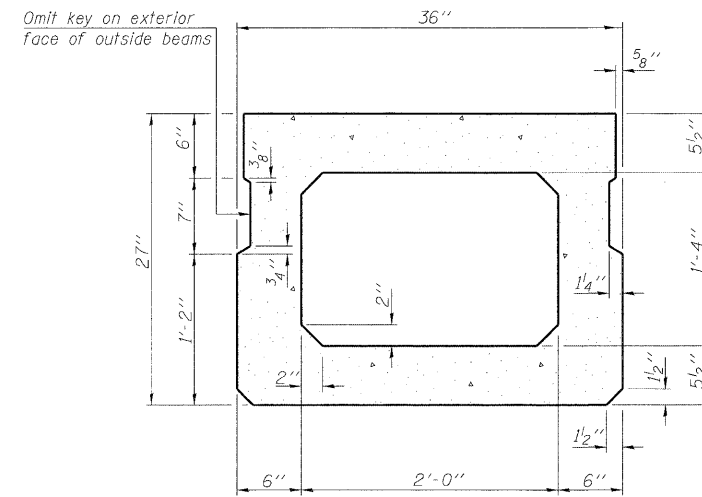


STATE OF ILLINOIS
DEPARTMENT OF TRANSPORTATION



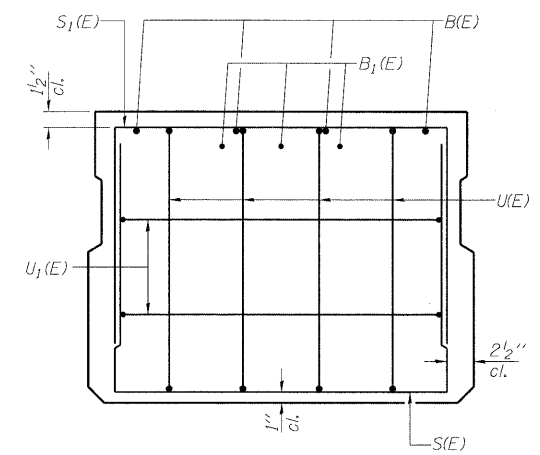
SECTION C-C

* Bar D(E) for exterior beams only

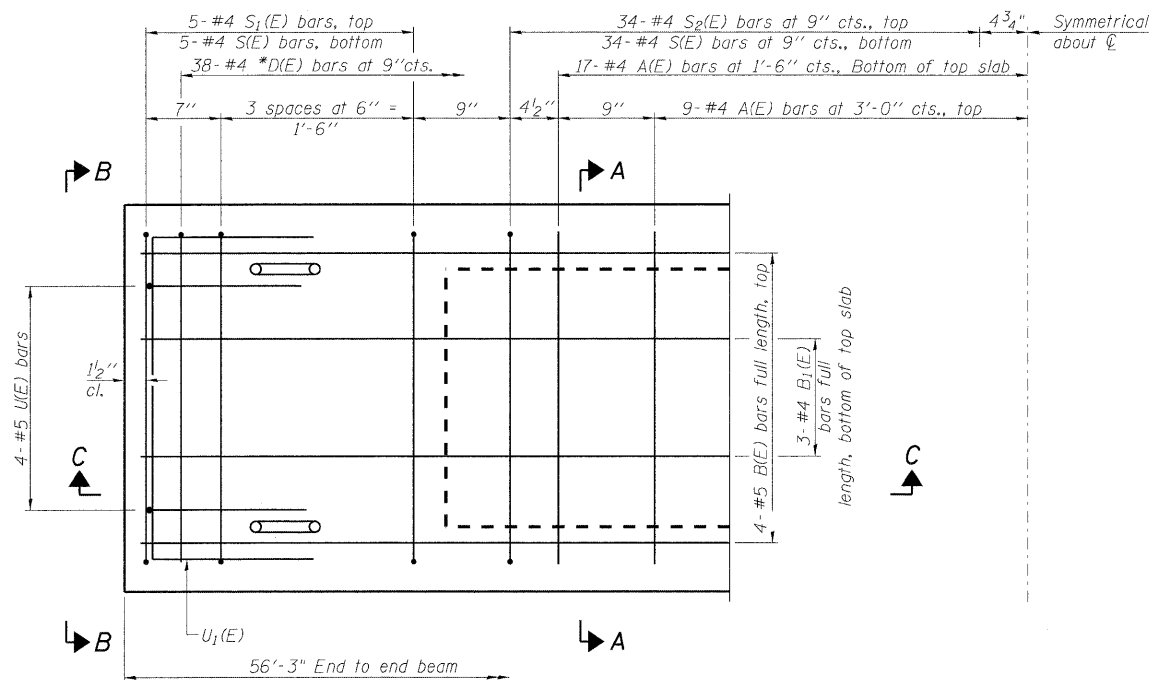


SECTION A-A

(Showing dimensions)



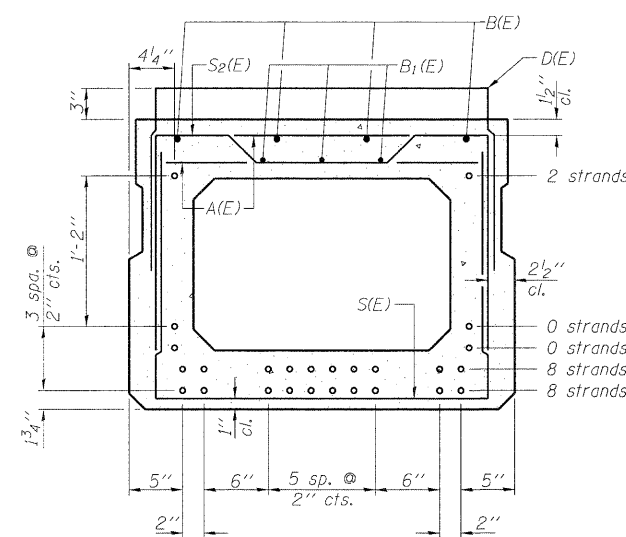
VIEW B-B



PLAN VIEW

* Bar D(E) for exterior beams only

Note: Spacing of S(E), S2(E) and D(E) bars may be adjusted up to 4" in the immediate area of the transverse tie diaphragms to miss the block outs for the transverse ties.



SECTION A-A

(Showing reinforcement and permissible strand locations)
Note: Place the number of strands specified in each row symmetrically about the centerline of beam in the permissible strand locations shown.

BAR LIST
ONE BEAM ONLY

(For information only)

Bar	No.	Size	Length	Shape
A(E)	52	#4	2'-7"	—
B(E)	4	#5	55'-10"	—
B1(E)	3	#4	55'-10"	—
*D(E)	76	#4	4'-6"	□
S(E)	78	#4	6'-5"	U
S1(E)	10	#4	5'-11"	—
S2(E)	68	#4	6'-2"	□
U(E)	8	#5	4'-6"	□
U1(E)	4	#4	5'-0"	□

Note: See sheet S12 of S15 for additional details and Bill of Material.

* Bar D(E) for exterior beams only

DESIGNED	SLV
CHECKED	MJM
DRAWN	SLV
CHECKED	MJM

LONCO, INC.
CONSULTING ENGINEERS
1560 WALL ST., SUITE 222
NAPERVILLE, ILLINOIS 60563 PH: (630) 577-9100

27" x 36" PPC DECK BEAMS
STRUCTURE NO. 016-2514

SHEET NO. S11 OF S15 SHEETS	F.A.U. RTE. 1320	SECTION 581 B-1	COUNTY COOK	TOTAL SHEETS 33	SHEET NO. 22
	D-91-288-09		CONTRACT NO. 60F91		
FED. ROAD DIST. NO. ILLINOIS FED. AID PROJECT					