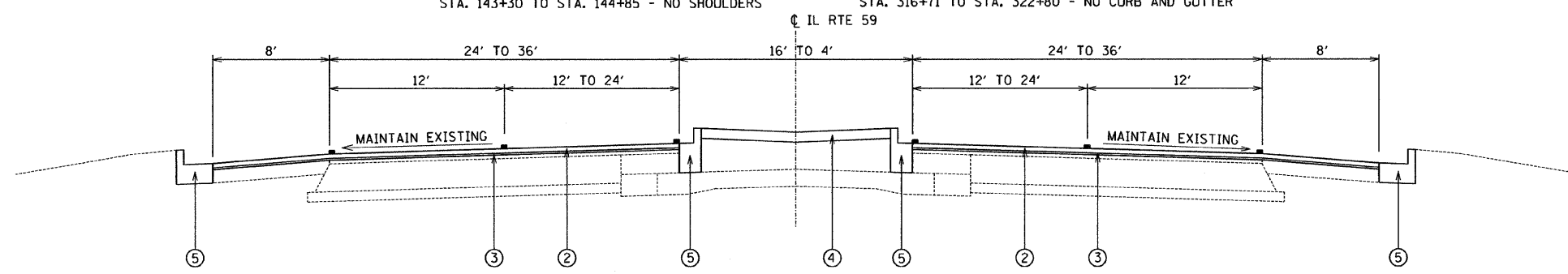


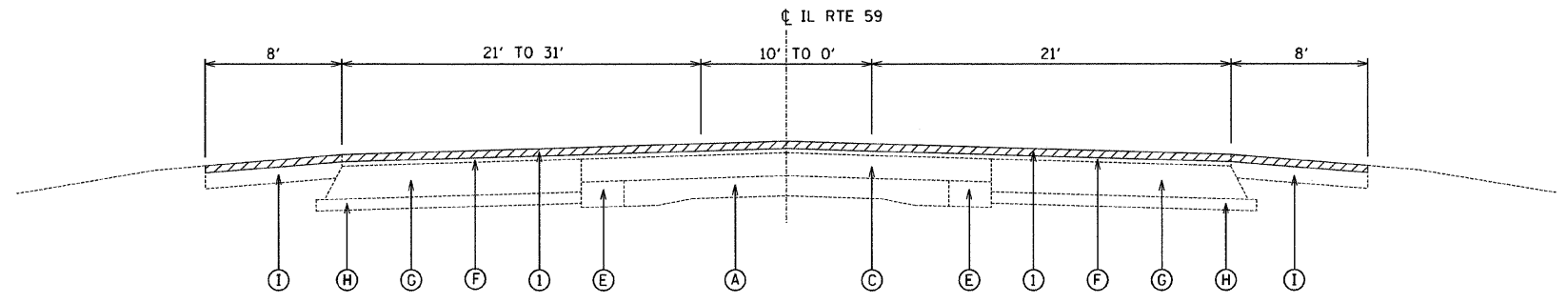
EXISTING TYPICAL SECTION
 STA. 11+24 TO STA. 16+00
 STA. 82+76 TO STA. 84+69
 STA. 124+78 TO STA. 138+97 - NO SHOULDERS
 STA. 143+30 TO STA. 144+85 - NO SHOULDERS
 STA. 264+30 TO STA. 298+77 - NO SHOULDERS
 STA. 298+77 TO STA. 316+71 - CORRUGATED PCC MEDIAN
 STA. 316+71 TO STA. 322+80 - NO CURB AND GUTTER

- EXISTING CONDITIONS:**
- (A) PCC PAVEMENT, 9"-7"-9"
 - (B) PCC MEDIAN, 4"
 - (C) HOT-MIX ASPHALT RESURFACING
 - (D) COMBINATION CONCRETE CURB AND GUTTER
 - (E) HOT-MIX ASPHALT WIDENING
 - (F) HOT-MIX ASPHALT RESURFACING, 4"
 - (G) HOT-MIX ASPHALT BASE COURSE, 1 1/2"
 - (H) GRANULAR SUB-BASE, 4"
 - (I) HOT-MIX ASPHALT SHOULDER, 8"
 - (Hatched) ITEMS TO BE REMOVED

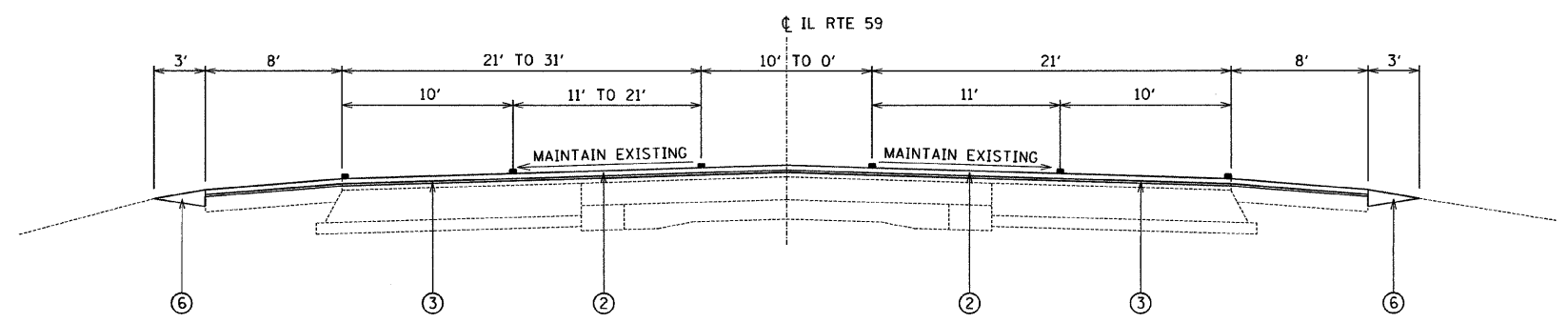


PROPOSED TYPICAL SECTION
 STA. 11+24 TO STA. 16+00
 STA. 82+76 TO STA. 84+69
 STA. 124+78 TO STA. 138+97 - NO SHOULDERS
 STA. 143+30 TO STA. 144+85 - NO SHOULDERS
 STA. 143+30 TO STA. 144+86 - NO SHOULDERS
 STA. 264+30 TO STA. 298+77 - NO SHOULDERS
 STA. 316+71 TO STA. 322+80 - NO CURB AND GUTTER - FOR AGGREGATE WEDGE SHOULDER SEE SECTION BELOW

- PROPOSED IMPROVEMENTS:**
- (1) HOT-MIX ASPHALT SURFACE REMOVAL, 2 1/2"
 - (2) POLYMERIZED HOT-MIX ASPHALT SURFACE COURSE, MIX "F", N90, 1 3/4"
 - (3) POLYMERIZED LEVELING BINDER (MACHINE METHOD), IL 4.75, N50, 3/4"
 - (4) PCC MEDIAN REMOVAL AND REPLACEMENT (AS DETERMINED BY THE ENGINEER)
 - (5) COMBINATION CONCRETE CURB AND GUTTER REMOVAL AND REPLACEMENT (AS DETERMINED BY THE ENGINEER)
 - (6) AGGREGATE WEDGE SHOULDER, TYPE B, 6"
 - PAVEMENT MARKING



EXISTING TYPICAL SECTION
 STA. 23+49 TO STA. 33+34
 STA. 38+10 TO STA. 39+80



PROPOSED TYPICAL SECTION
 STA. 23+49 TO STA. 33+34
 STA. 38+10 TO STA. 39+80

NOTE:
 THE CONTRACTOR SHALL MILL FIRST BEFORE PATCHING

FILE NAME =	USER NAME = _USER_	DESIGNED - MW	REVISED -	STATE OF ILLINOIS DEPARTMENT OF TRANSPORTATION	IL 59 - IL 64 TO BATAVIA ROAD TYPICAL SECTIONS 1		F.A.P. RTE. 338	SECTION (111 & 112) RS-B	COUNTY DUPAGE	TOTAL SHEETS 42	SHEET NO. 4	
#FILEL*		DRAWN - MW	REVISED -		SCALE: NA	SHEET NO. 1 OF 4 SHEETS	STA.	TO STA.		CONTRACT NO. 60H70		
		CHECKED -	REVISED -		ILLINOIS FED. AID PROJECT							
		DATE -	REVISED -									