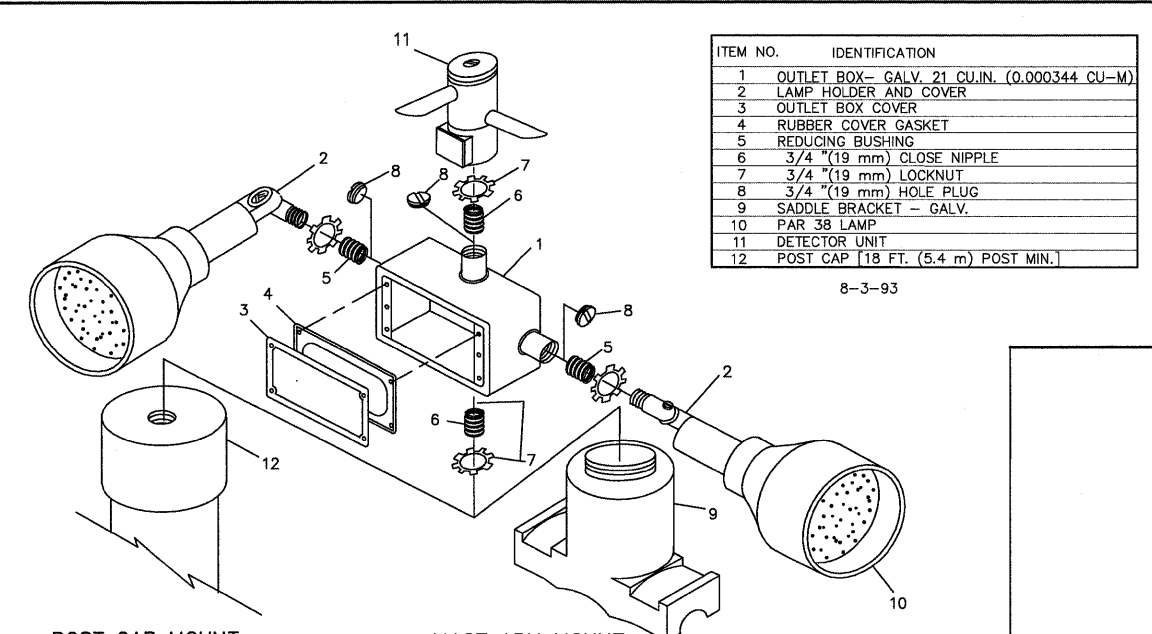
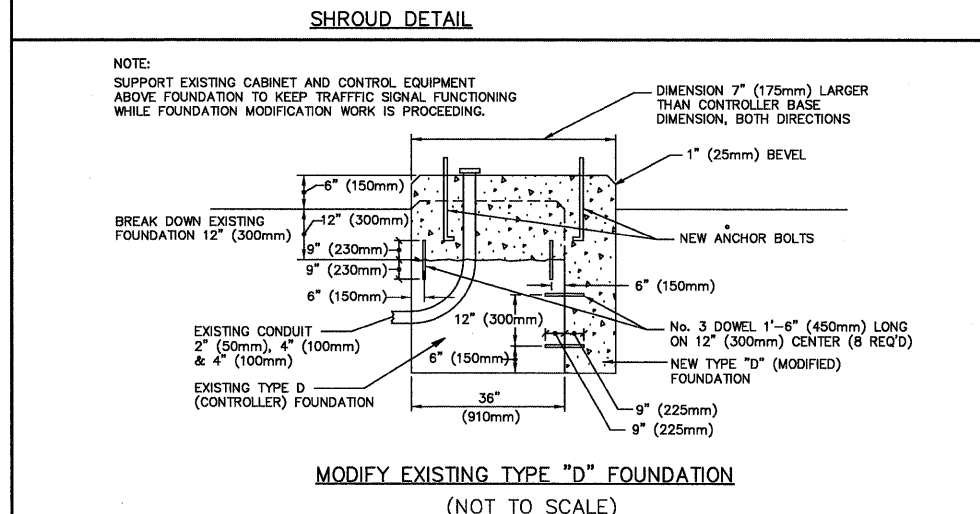
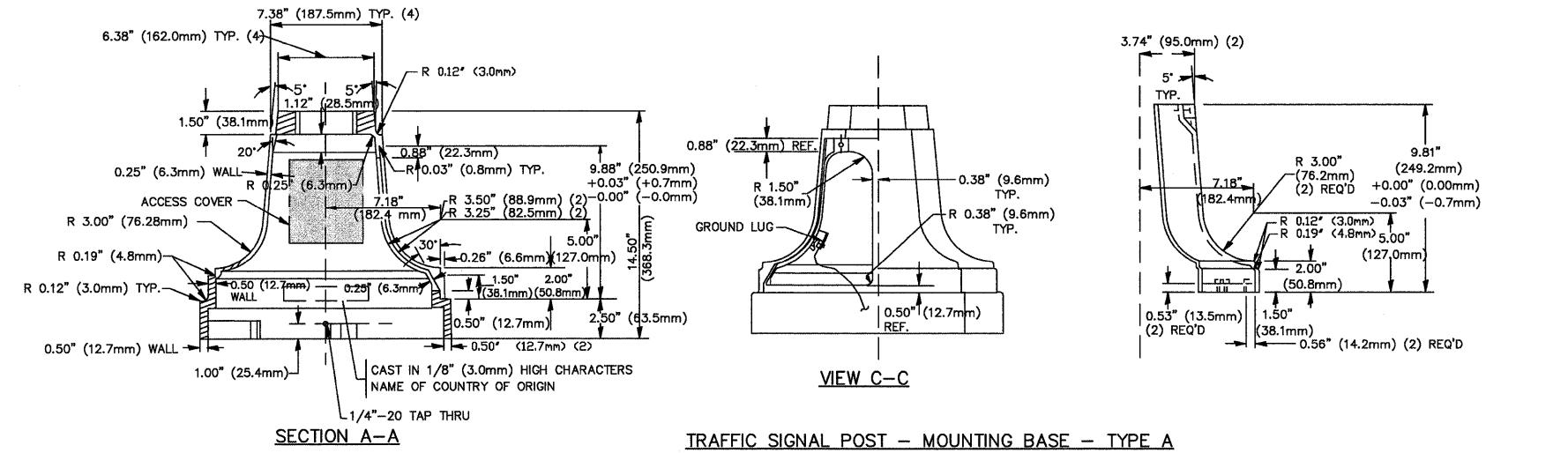
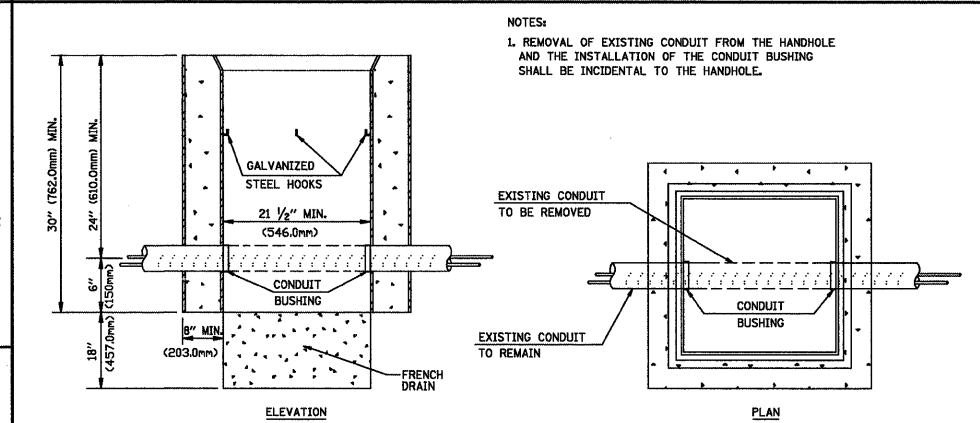
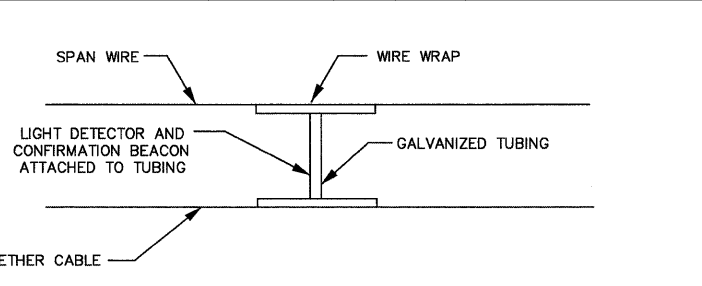


TYPE	A	B	C	HEIGHT	WEIGHT
I	10.125\"(257mm)	9.5\"(241mm)	19\"(483mm)	12\"(300mm)	24kg
II	11.125\"(283mm)	10.75\"(273mm)	21.5\"(546mm)	12\"(300mm)	26kg



NOTES:

- ALL ELECTRICAL ITEMS, EXCEPT ITEMS #2 AND #11 SHALL BE ALUMINUM OR GALVANIZED
- ITEM #1- OZ/GEDNEY FSX-1-50 OR EQUIVALENT
ITEM #2- MULBERRY CON-O-SHADE LAMP SHIELD OR EQUIVALENT
ITEM #9- "BAND-IT" SADDLE BRACKET OR EQUIVALENT
- WHEN POST MOUNTING IS SPECIFIED, ITEM #9 SHALL NOT BE REQUIRED. THE DETECTION UNIT SHALL BE MOUNTED DIRECTLY ON TOP OF THE CAP BY DRILLING AND TAPPING A 3/4\"(19 mm) HOLE WITH PIPE THREADS. THE POST CAP SHALL EITHER BE SCREWED TO THE TOP OF THE POST OR A MINIMUM OF 3 TIGHTENING SCREWS SHALL BE REQUIRED ON EACH CAP.



FILE NAME = 4085.850-TR1.dwg	USER NAME =	DESIGNED - JRD	REVISED -
PLOT SCALE =	DRAWN - PJS	REVISIONS	DATE
PLOT DATE =	CHECKED - KLB	REVISIONS	DATE
	DATE - 6-24-2009	REVISIONS	DATE

**STATE OF ILLINOIS
DEPARTMENT OF TRANSPORTATION**

**DISTRICT ONE STANDARD TRAFFIC SIGNAL
DESIGN DETAILS**

ILLINOIS DEPARTMENT OF TRANSPORTATION		DISTRICT ONE STANDARD TRAFFIC SIGNAL DESIGN DETAILS	
SCALE: VERT. NONE HORIZ. 1-01-02	DRAWN BY: RWP DESIGNED BY: DAD CHECKED BY: DAZ SHEET 4 OF 4	F.A.P. RTE. 341	SHEET NO. 6
SECTION 2009-081TS	COUNTY KANE	TOTAL SHEETS 13	SHEET NO. 6
CONTRACT #: 60120		ILLINOIS FED. AID PROJECT	