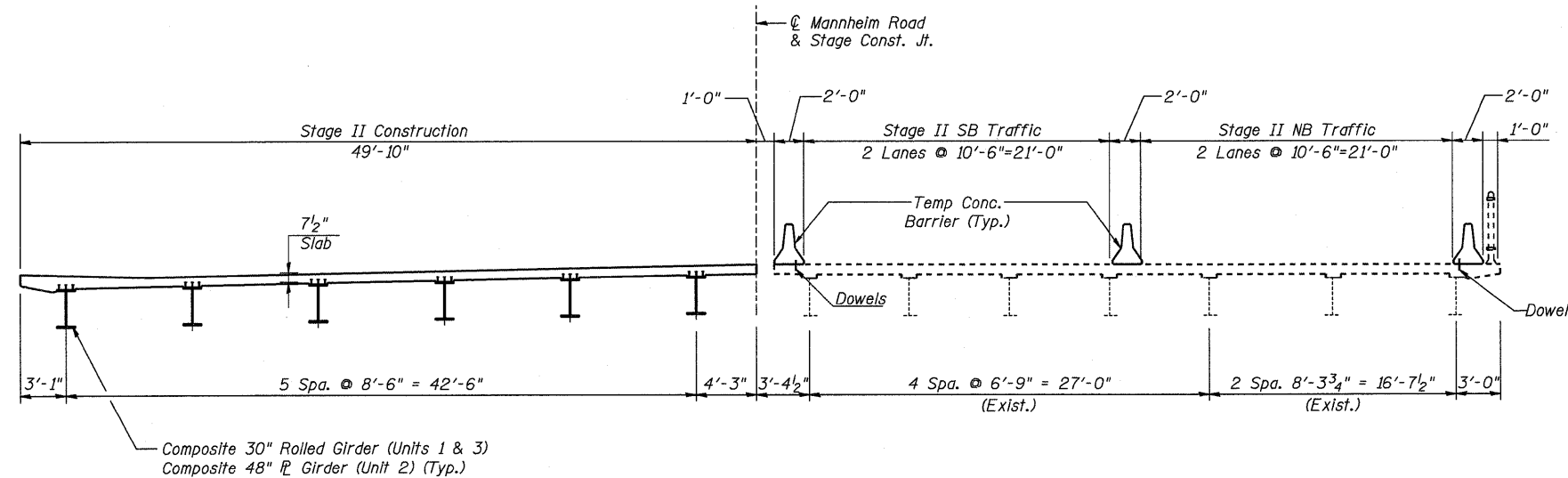
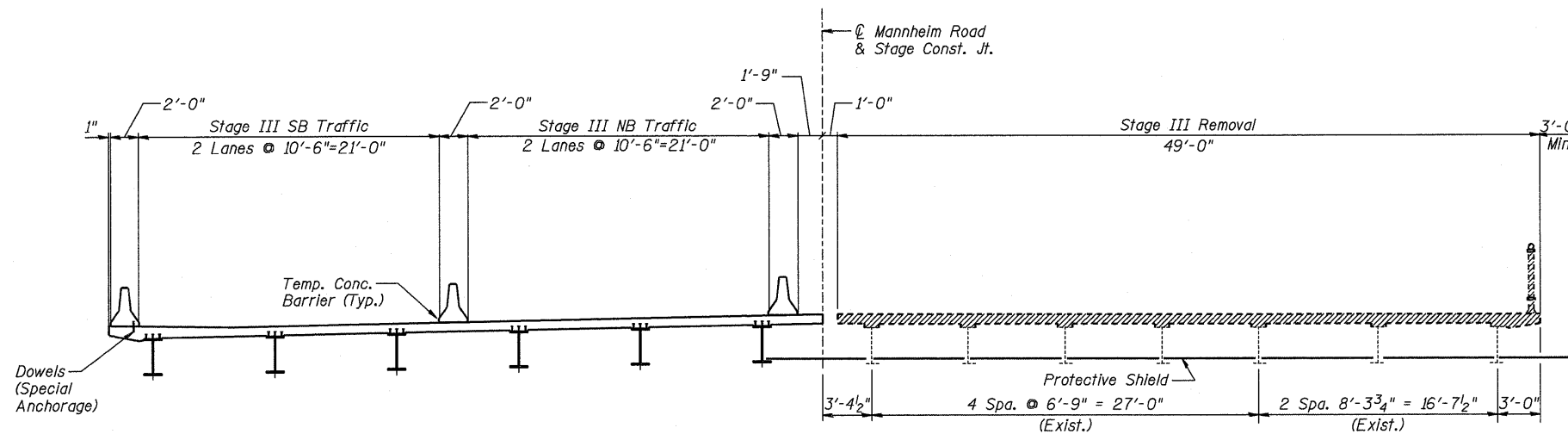


F.A.P.	SECTION	COUNTY	TOTAL SHEETS	SHEET NO.
330	465 (HB&VB) F	COOK	31	5
STA. 173+50 TO STA. 195+00		FED. ROAD DIST. NO. 7 ILLINOIS FED. AID PROJECT		
Contract # 60121			SHEET NO. S4 of S30	



STAGE II CONSTRUCTION
(Looking Upstation)



STAGE III REMOVAL
(Looking Upstation)

FOR INFORMATION ONLY

Notes:

1. Work this sheet with Sheets S3-S5.
2. See Sheet S1 for limits of Protective Shield.
3. See Sheet S46 for Temp. Concrete Barrier.
4. See Roadway plans for Temporary Concrete Barrier quantities.

EARTH TECH AECOM	REVISIONS	ILLINOIS DEPARTMENT OF TRANSPORTATION CONSTRUCTION STAGING II FAP 330 US 12/45 (MANNHEIM RD.) OVER 500 LINE RR & FRANKLIN AVE. STRUCTURE NO. 016-2815 SECTION 465 (HB & VB) F COOK COUNTY STA. 183+33.30 DRAWN BY JHR DATE 6/2009 CHECKED BY CLS	
	NAME		DATE