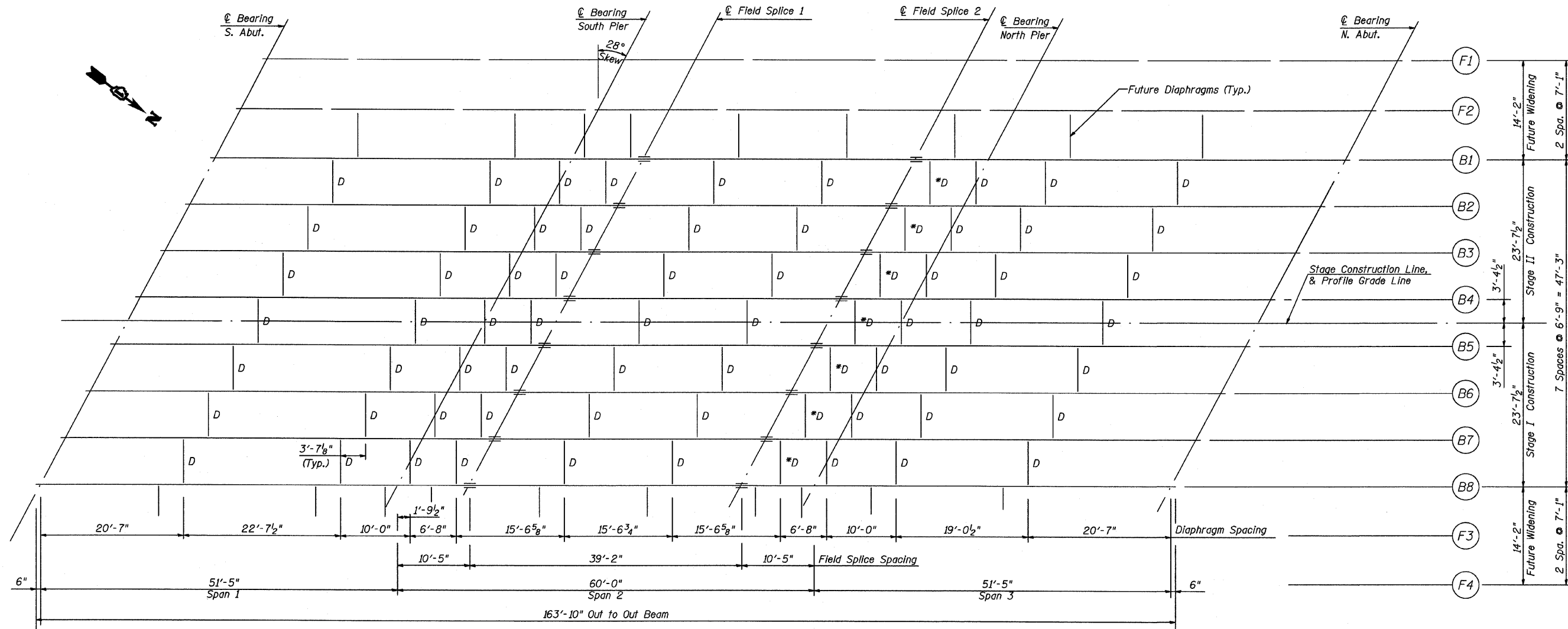


STATE OF ILLINOIS
DEPARTMENT OF TRANSPORTATION

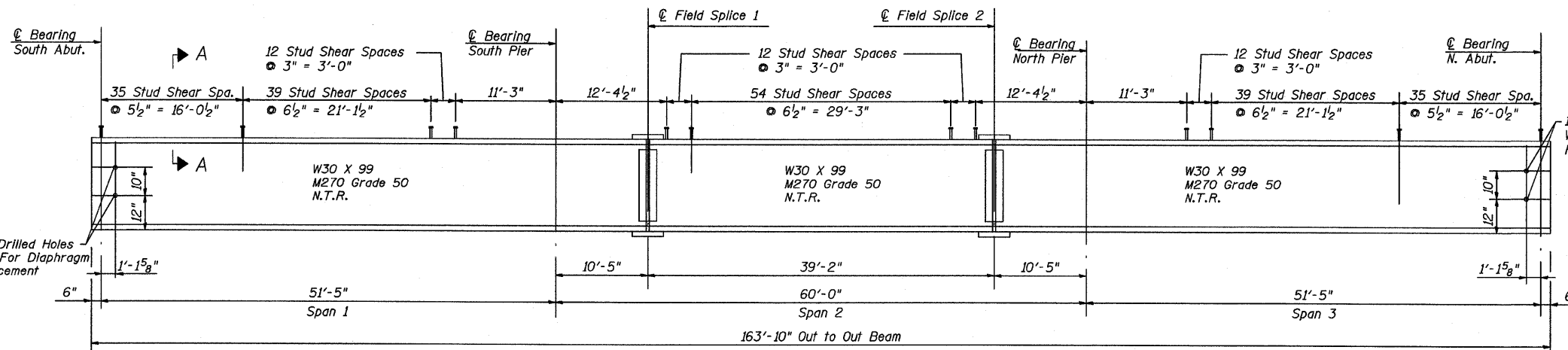
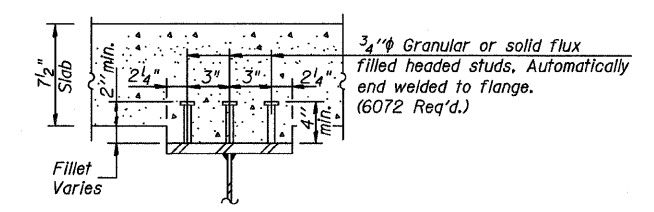
F.A.R.T.E.	SECTION	COUNTY	TOTAL SHEETS	SHEET NO.
2843	3249B-R	COOK	64	35

FED. ROAD DIST. NO. ILLINOIS FED. AID PROJECT-
Sheet 11 of 22 Contract No. 62539



FRAMING PLAN

*D - Place Diaphragms at Center of Higher Beam



ELEVATION

Note:

- All cross frames or diaphragms shall be installed as steel is erected and secured with erection pins and bolts except as otherwise noted. Individual cross frames or diaphragms at supports may be temporarily disconnected to install bearing anchor rods.
- Components designated "N.T.R." shall conform to the supplemental requirements for notch toughness, Zone 2.
- All Steel Beams Shall be M270 Grade 50.
- D1 - Denotes Location of Future Diaphragms

REVISIONS	
NAME	DATE

FRAMING PLAN AND BEAM ELEVATION

DIXIE HIGHWAY OVER
BUTTERFIELD CREEK
F.A.U. ROUTE 2843 SECTION 3249B-R
STA. 78+55.00
COOK COUNTY
STRUCTURE NUMBER 016-7946

SCALE: NOT-TO-SCALE
DATE 6-30-09

DRAWN BY BV
DESIGNED BY BS
CHECKED BY PK

RME Rubinos & Mesia Engineers, Inc.

#FILES# #DATES# #TIMES# #PENTBL\$# #PLTDIV\$#