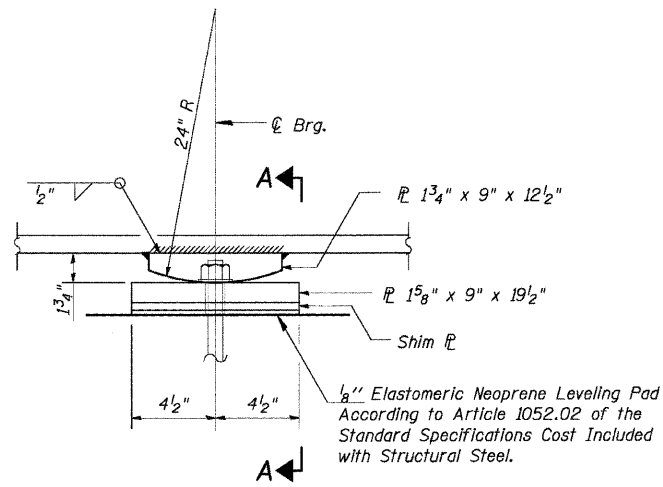


STATE OF ILLINOIS
DEPARTMENT OF TRANSPORTATION

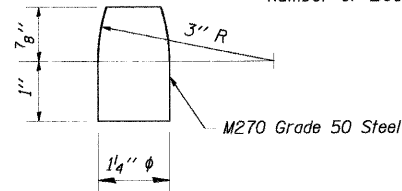
F.A.R.T.E.	SECTION	COUNTY	TOTAL SHEETS	SHEET NO.
2843	3249B-R	COOK	64	37
FED. ROAD DIST. NO.	ILLINOIS	FED. AID PROJECT		
			Sheet 13 of 22	Contract No. 62539



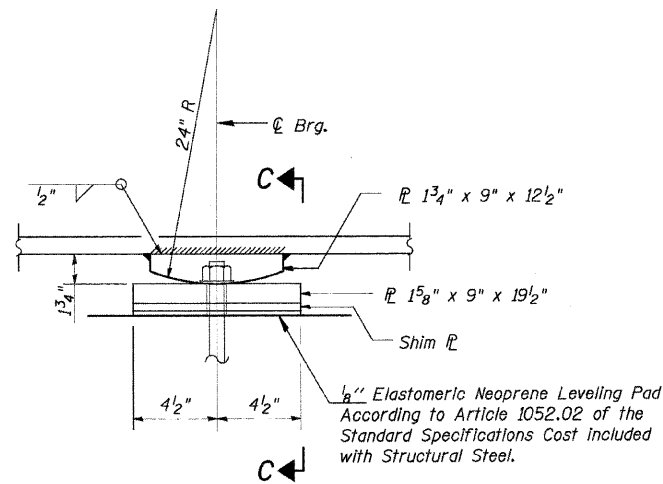
ELEVATION AT SOUTH PIER

FIXED BEARING

Number of Bearing Assemblies Required - 8



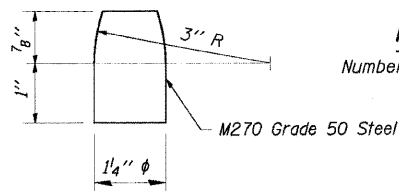
PINTLE



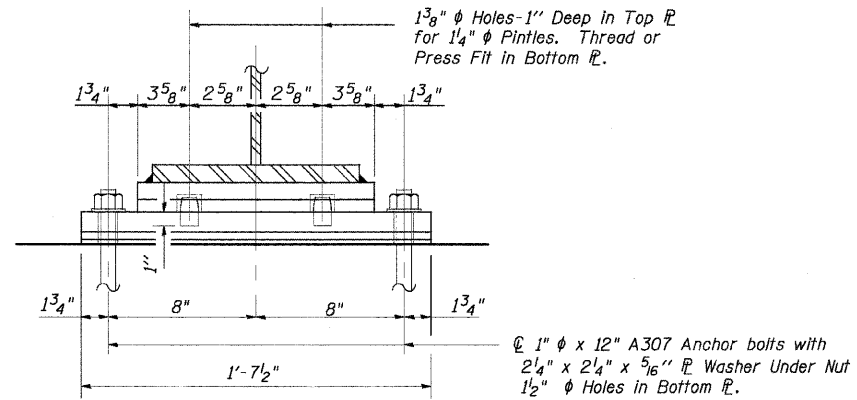
ELEVATION AT NORTH PIER

FIXED BEARING

Number of Bearing Assemblies Required - 8



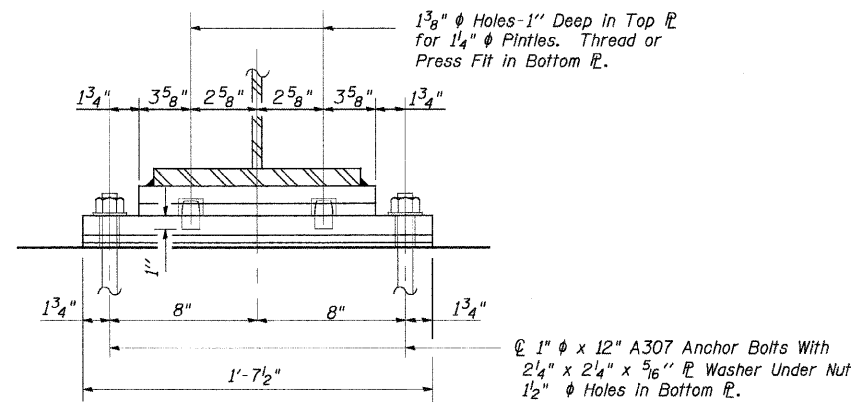
PINTLE



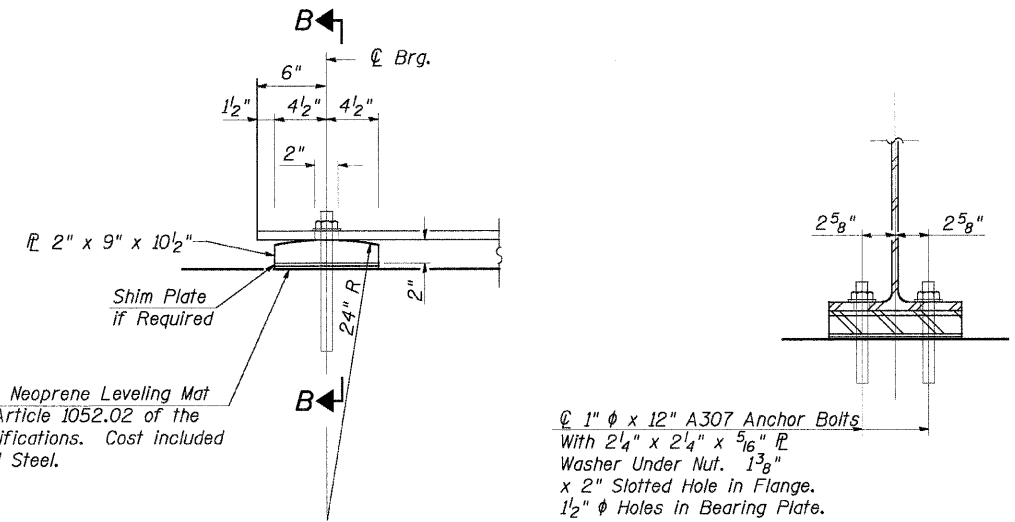
SECTION A-A

BEARINGS BILL OF MATERIALS

Item	Unit	Total
Anchor Bolts, 1"	Each	64



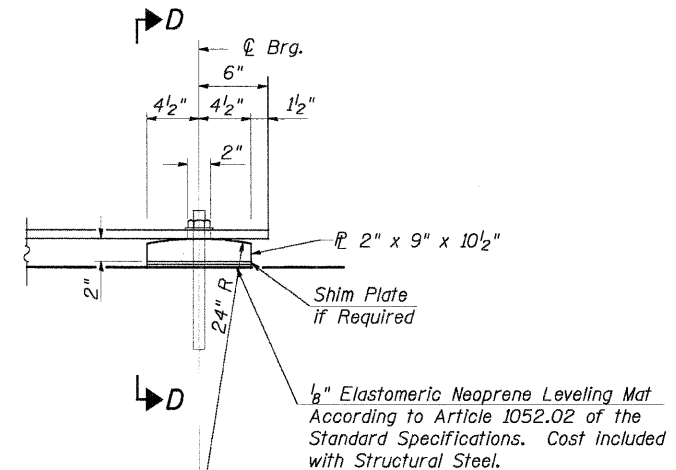
SECTION C-C



ELEVATION AT SOUTH ABUTMENT

FIXED BEARING

Number of Bearing Assemblies Required - 8



ELEVATION AT NORTH ABUTMENT

FIXED BEARING

Number of Bearing Assemblies Required - 8

Notes:
Anchor bolts at fixed bearings may be built into the Concrete Abutment.
See sheet 19 of 20 for Anchor Bolt Installation.

REVISIONS	
NAME	DATE

BEARING DETAILS

DIXIE HIGHWAY OVER
 BUTTERFIELD CREEK
 F.A.U. ROUTE 2843 SECTION 3249B-R
 STA. 78+55.00
 COOK COUNTY
 STRUCTURE NUMBER 016-7946

SCALE: NOT-TO-SCALE
 DATE 6-25-09

DRAWN BY BV
 DESIGNED BY BS
 CHECKED BY PK

RME Rubinos &
 Mesia
 Engineers, Inc.