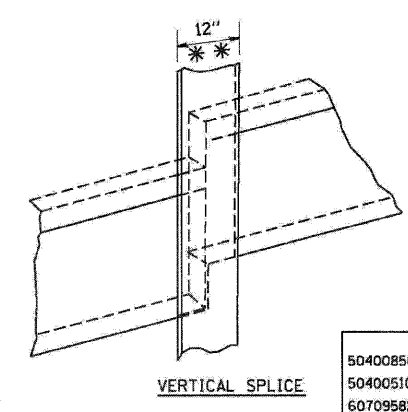
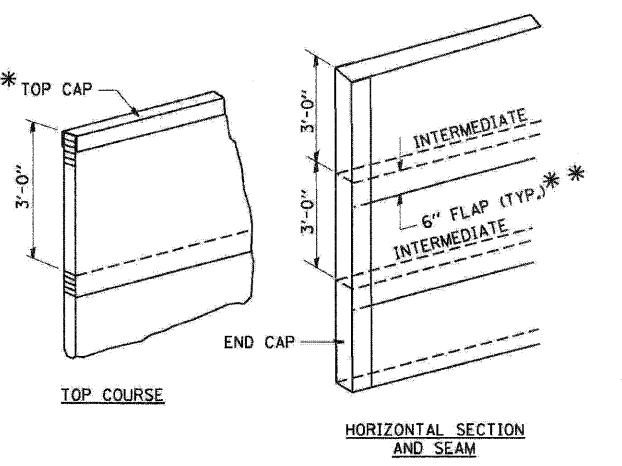
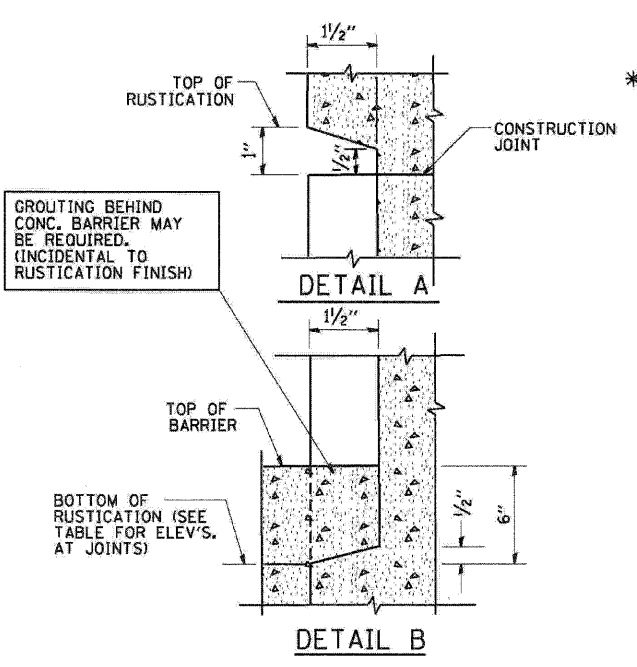
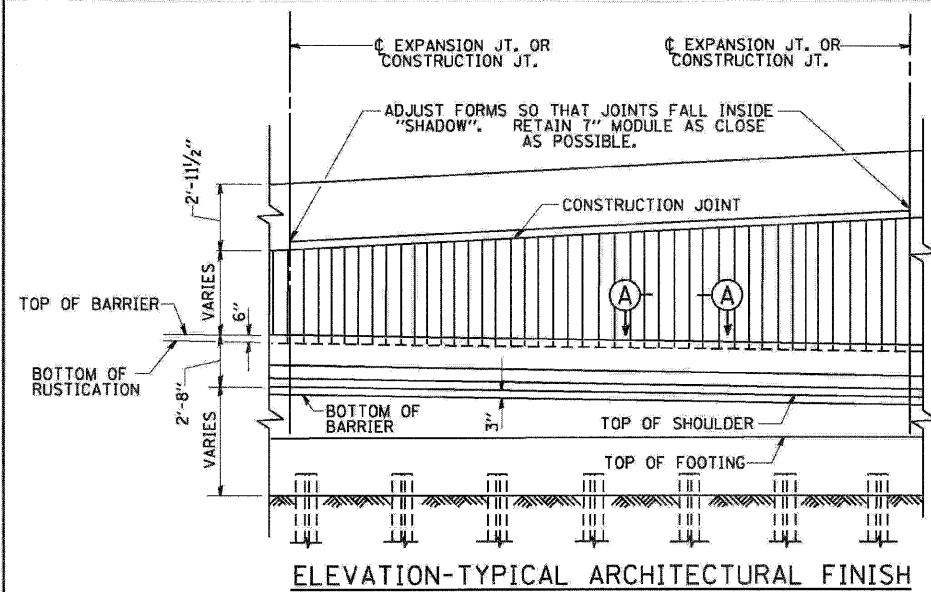


F.A. RTE.	SECTION	COUNTY	TOTAL SHEETS	SHEET NO.
2843	3249B-R	COOK	64	50
STA.		TO STA.		
FED. ROAD DIST. NO.		ILLINOIS FED. AID PROJECT		

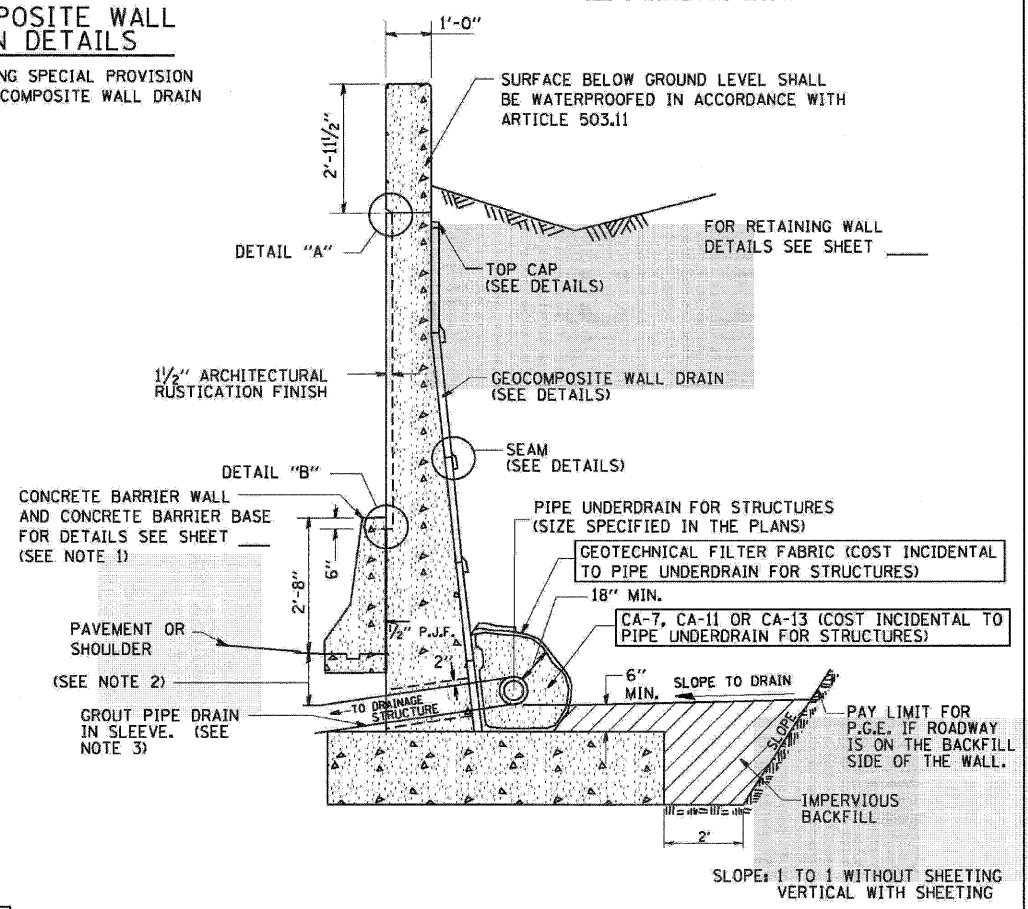
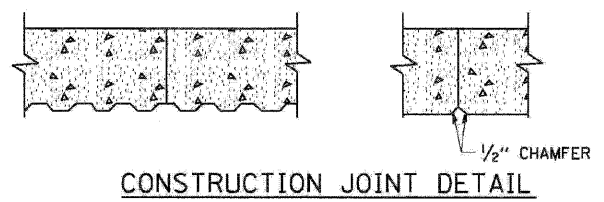
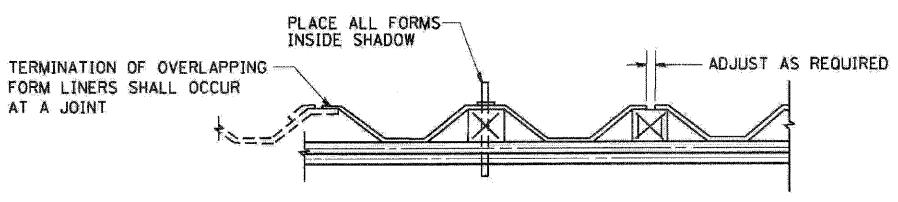
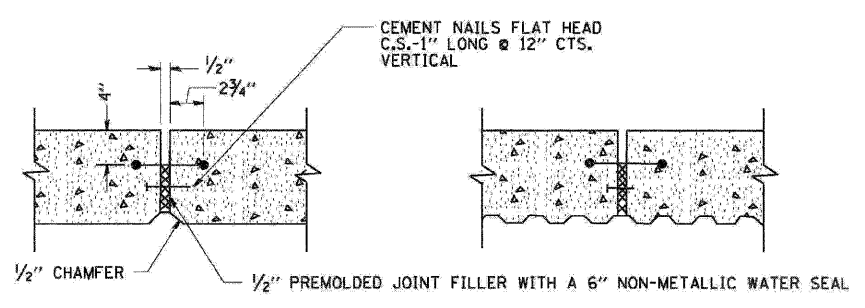
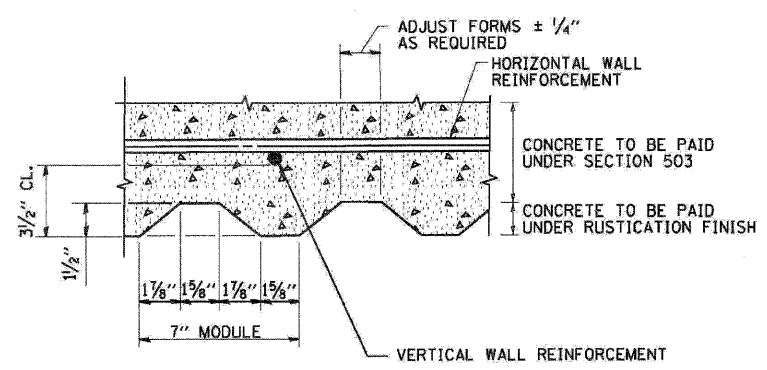


PREFERRED PAY ITEMS

50400850	* CLASS X CONCRETE (RETAINING WALL)	(C.Y.)
50400510	* RUSTICATION FINISH	(S.F.)
60709582	* PIPE UNDERDRAINS FOR STRUCTURES 6"	(L.F.)
Z0027750	* GEOCOMPOSITE WALL DRAIN	(S.Y.)
60700200	PIPE DRAINS 6"	(L.F.)

* SEE SPECIAL PROVISIONS

GEOCOMPOSITE WALL DRAIN DETAILS
 ** SEE RECURRING SPECIAL PROVISION #43 FOR GEOCOMPOSITE WALL DRAIN



WALL #		WALL #		WALL #		WALL #		WALL #		WALL #		WALL #		WALL #	
STATION	ELEVATION	STATION	ELEVATION	STATION	ELEVATION	STATION	ELEVATION	STATION	ELEVATION	STATION	ELEVATION	STATION	ELEVATION	STATION	ELEVATION

NOTE 1. CONCRETE BARRIER CONSTRUCTION: WHEN THE CONCRETE BARRIER WALL IS TO BE CONSTRUCTED MONOLITHIC WITH THE RETAINING WALL THE DETAILS SHOWN IN THE RETAINING WALL SECTION SHALL GOVERN.

NOTE 2. PIPE DRAIN SLOPE: PRIOR TO THE PLACEMENT OF THE PIPE UNDERDRAIN SLEEVE THE ENGINEER SHALL DETERMINE THE SLOPE REQUIRED FOR THE PIPE UNDERDRAIN TO ENTER BELOW THE DRAINAGE STRUCTURE LID AT OR BELOW THE MINIMUM DISTANCE SHOWN ON THE DETAILS FOR THE STRUCTURE.

NOTE 3. PIPE DRAIN: THE PIPE DRAIN SHALL TERMINATE AT A DRAINAGE STRUCTURE. THE COST OF THE SLEEVE AND GROUT SHALL BE INCIDENTAL TO PIPE DRAINS.

REVISIONS

NAME	DATE
FORD	11/30/88
FORD	05/15/89
DE YONG	09/07/89
DE YONG	07/11/90
DE YONG	08/18/90
DE YONG	07/09/91
R. WEIDEMAN	02/20/04

ILLINOIS DEPARTMENT OF TRANSPORTATION
 F.A.U. 2843 DIXIE HWY over BUTTERFIELD CREEK

RUSTICATION FINISH AND GEOCOMPOSITE WALL DRAIN FOR RETAINING WALLS

SCALE: VERT. NONE
 HORIZ.

DRAWN BY CADD
 CHECKED BY
 BD500-02 (BD-28)

PLOT DATE = 2/15/2007
 FILE NAME = K:\projects\bd500\bd500.dgn
 PLOT SCALE = 8000000 / 1
 USER NAME = bweaver