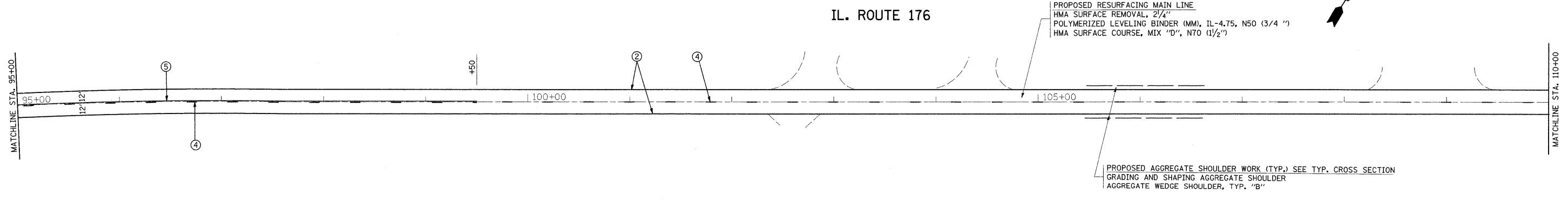


- LEGEND**
- ① THERMOPLASTIC PAVEMENT MARKING CENTERLINE, 4" SOLID YELLOW (DOUBLE), 11" C-C
  - ② THERMOPLASTIC PAVEMENT MARKING EDGE LINE, 4" SOLID WHITE
  - ③ THERMOPLASTIC PAVEMENT MARKING LANE LINE, 6" WHITE
  - ④ THERMOPLASTIC PAVEMENT MARKING SKIP DASH LINE, 4" YELLOW, 10'-30'
  - ⑤ THERMOPLASTIC PAVEMENT MARKING CENTERLINE (NO PASS ZONE), 4" SOLID YELLOW
  - ⑥ THERMOPLASTIC PAVEMENT MARKING LEFT TURN ONLY LETTERS AND SYMBOLS, 8" WHITE
  - ⑦ THERMOPLASTIC PAVEMENT MARKING 12" SOLID YELLOW (RT. 45° DIAGONALS @ 20' C-C)
  - ⑧ THERMOPLASTIC PAVEMENT MARKING STOP BAR, 24" SOLID WHITE
  - ⑨ THERMOPLASTIC PAVEMENT MARKING 12" WHITE (SCHOOL)
  - ⑩ THERMOPLASTIC PAVEMENT MARKING 8" WHITE ISLAND OUTLINES
  - ⑪ THERMOPLASTIC PAVEMENT MARKING 6" WHITE CROSSWALK



FILE NAME =	USER NAME = bauerdl	DESIGNED -	REVISED -	<b>STATE OF ILLINOIS DEPARTMENT OF TRANSPORTATION</b>	<b>ROADWAY AND PAVEMENT MARKING PLAN IL. ROUTE 176 (MIDLOTHIAN RD TO IL. RTE. 21)</b>	F.A.J.I. RTE.	SECTION	COUNTY	TOTAL SHEETS	SHEET NO.	
es:\pw_work\VPWIDOT\BAUERDL\d0143145\0102	04-sht-plan.dgn	DRAWN -	REVISED -			1238	(0, 144 & 144x) RS-4	LAKE	25	9	
	PLOT SCALE = 50,0000' / IN.	CHECKED -	REVISED -			SCALE: 1"=50'		SHEET NO. OF SHEETS		STA. 80+00 TO STA. 110+00	
	PLOT DATE = 6/29/2009	DATE -	REVISED -			ILLINOIS FED. AID PROJECT					
							CONTRACT NO. 62661				