

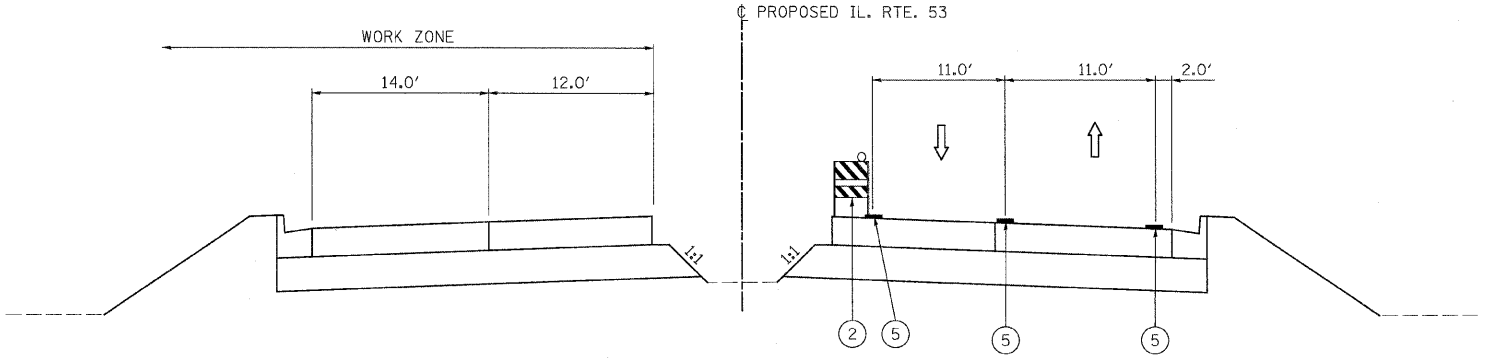
F.A.U. RTE.	SECTION	COUNTY	TOTAL SHEETS	SHEET NO.
2578	532B-1	DU PAGE	117	23
STA.		TO STA.		
FED. ROAD DIST. NO.		ILLINOIS FED. AID PROJECT		

CONTRACT #62881

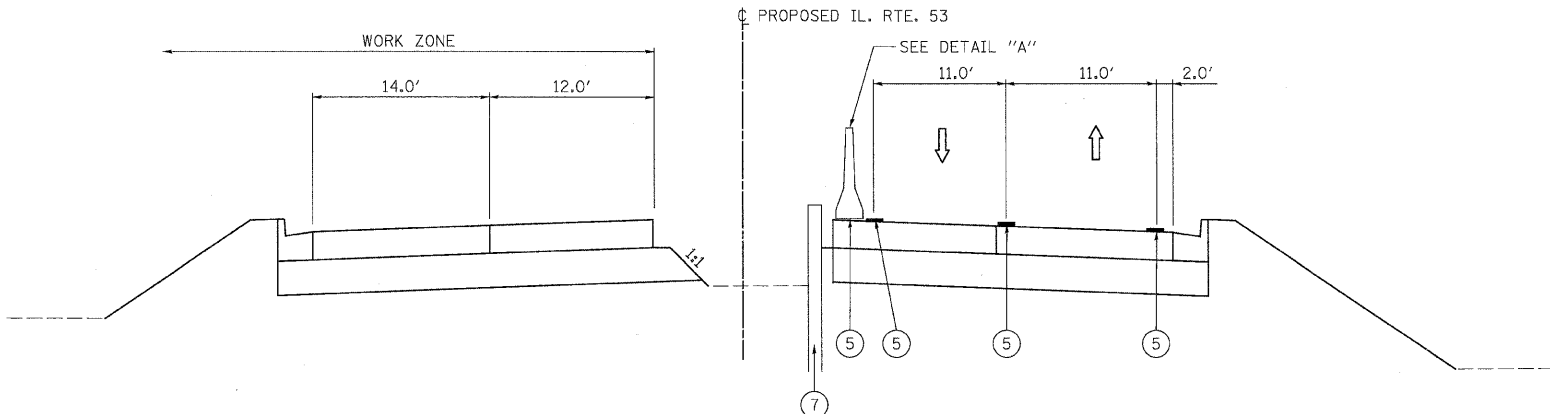
LEGEND

- ① TEMPORARY PAVEMENT
- ② TYPE II BARRICADES OR DRUMS WITH STEADY BURNING LIGHTS (50 FT C-C; 25 FT @ TAPERS & 12 FT ALONG RADII)
- ③ VERTICAL PANELS @ 50 FT C-C WITH STEADY BURNING LIGHTS
- ④ TEMPORARY PAVEMENT MARKING
- ⑤ WET PAVEMENT MARKING TAPE, TY III
- ⑥ TEMPORARY CONCRETE BARRIER WITH VERTICAL PANELS (SEE DETAIL A)
- ⑦ TEMPORARY SOIL RETENTION SYSTEM (SEE SPECIAL PROVISION)

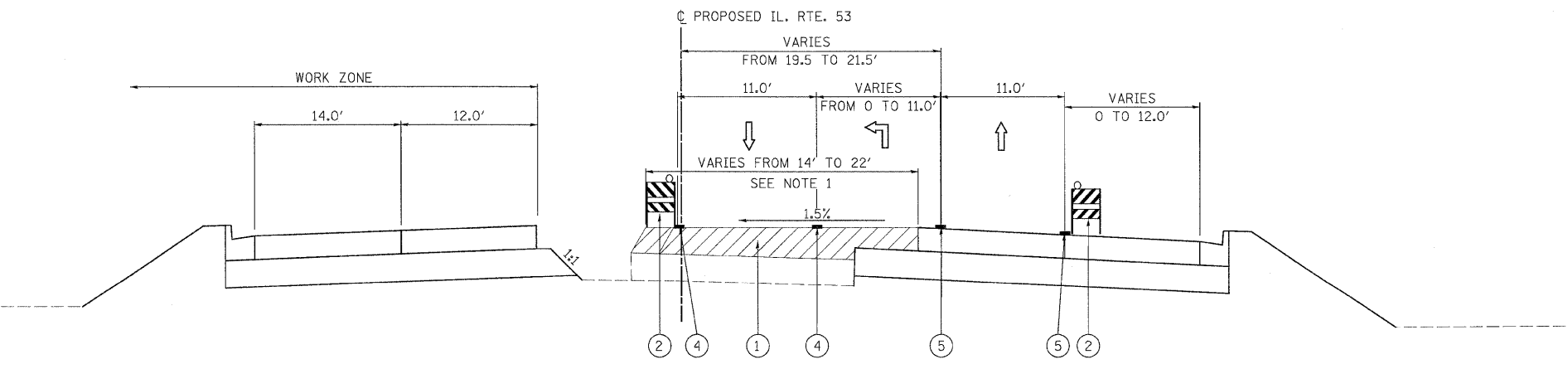
NOTE:
 (1) TEMPORARY PAVEMENT SHALL BE PLACED JUST PRIOR TO STAGE 2. CONSTRUCTION OF TEMPORARY PAVEMENT SHALL BE IN ACCORDANCE WITH IDOT TRAFFIC CONTROL STANDARD 701501 AND PER PLAN.
 (2) SEE MOT PLANS FOR PAVEMENT MARKING INFORMATION.



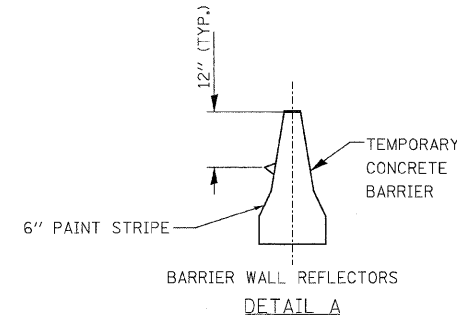
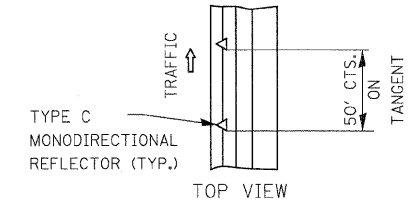
STAGE 2
 STA. 157+28.40 TO STA. 165+88.03



STAGE 2
 BRIDGE APPROACH PAVEMENTS
 STA. 165+88.03 TO STA. 167+05.55
 BRIDGE OMISSION
 STA. 166+18.03 TO STA. 166+75.55
 (SEE BRIDGE PLANS FOR STAGING DETAILS)



STAGE 2
 STA. 167+05.55 TO STA. 170+12.79



REVISIONS	
NAME	DATE

ILLINOIS DEPARTMENT OF TRANSPORTATION
 ILLINOIS ROUTE 53 (FAU 2578)
 SUGGESTED STAGES OF CONSTRUCTION
 AND TRAFFIC CONTROL TYPICAL SECTIONS
 STAGE 2
 SCALE: NONE
 DATE: 6/12/09
 DRAWN BY: CPK
 CHECKED BY: JJC

PATRICK ENGINEERING INC. LISLE, ILLINOIS
 6/10/2009 5:06:23 PM P:\DOT\9356_A0_ILL53\Springbrook\Drawings\RDW\shfts\Typ\S_Mot_typ.dgn
 kkoepfen@rdwy-lis(e)
 6/10/2009 5:06:23 PM