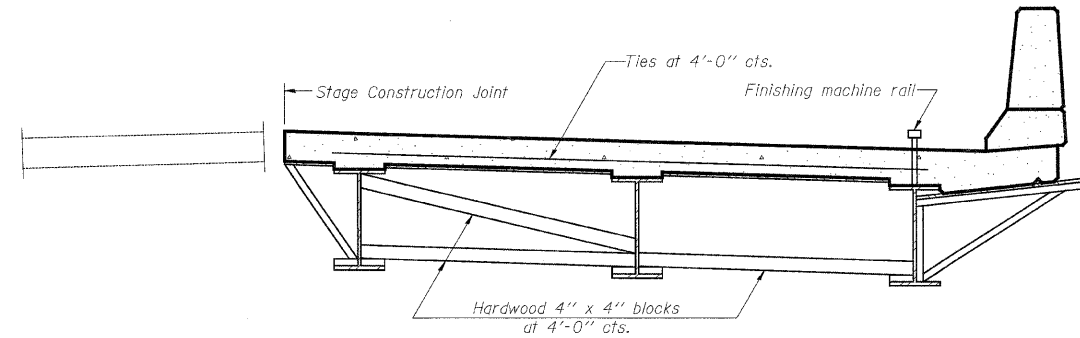
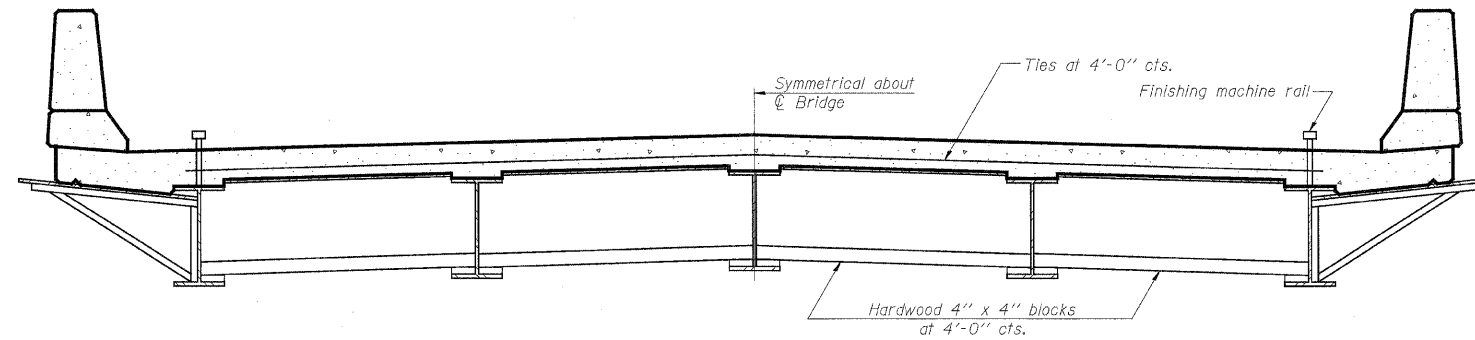


F.A.U. RTE.	SECTION	COUNTY	TOTAL SHEETS	SHEET NO.
2578	532B-1	DUPAGE	117	63
FED. ROAD DIST. NO. 7 ILLINOIS FED. AID PROJECT				



**FORM BRACES FOR  
STAGE CONSTRUCTION**

When cantilever forming brackets are used, the work shall be done according to Article 503.06(b) of the Standard Specifications, except as modified below and in the details shown on this sheet.  
The finishing machine rails shall be placed on the top flange of the exterior beams.  
The beams or girders, supporting cantilever forming brackets, shall be tied together at 4 foot intervals.  
For Standard construction, or Stage Construction the Hardwood bracing materials shall be placed as shown between webs of beams in each bay.



**FORM BRACES FOR  
STANDARD CONSTRUCTION**

H:\coppin\Drawy\_L\1010\6/10/09\3166\_40\_ILL591\Springbrook\Drawings\STRUCT\16\_cantbrackets.dgn  
 6/10/2009 5:11:33 PM



REVISIONS	
NAME	DATE

ILLINOIS DEPARTMENT OF TRANSPORTATION  
**CANTILEVER FORMING BRACKETS**  
 ILLINOIS ROUTE 53 OVER  
 SPRING BROOK CREEK  
 FAU 2578 SECTION 532B-1  
 STRUCTURE NO. 022-0189  
 DUPAGE COUNTY STATION 166+46.79  
 SCALE: NONE DRAWN BY: E. MROCZEK  
 DATE: 6/12/09 CHECKED BY: G. HATLESTAD