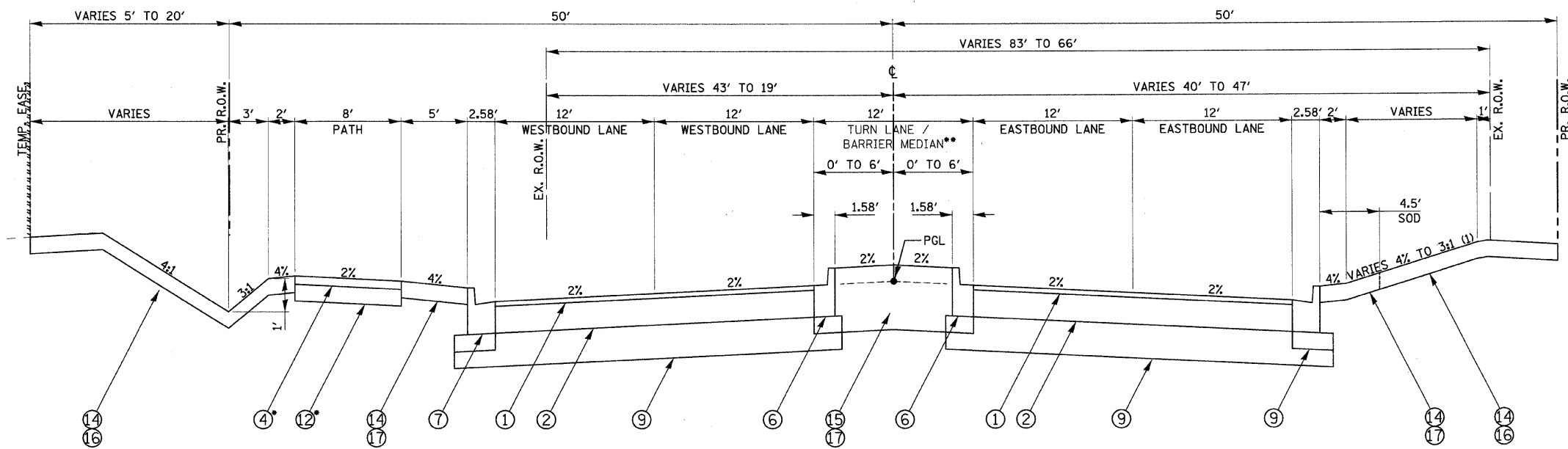
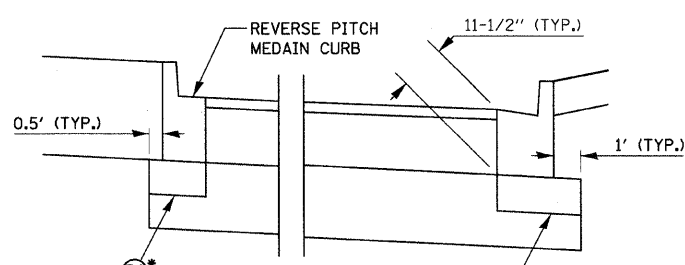


F.A.U. RTE.	SECTION	COUNTY	TOTAL SHEET NO.
1503	08-00260-01-PV	KANE	176 14
STA. 72+80.91		TO STA. 54+12.00	
FED. ROAD DIST. NO.		ILLINOIS FED. AID PROJECT	

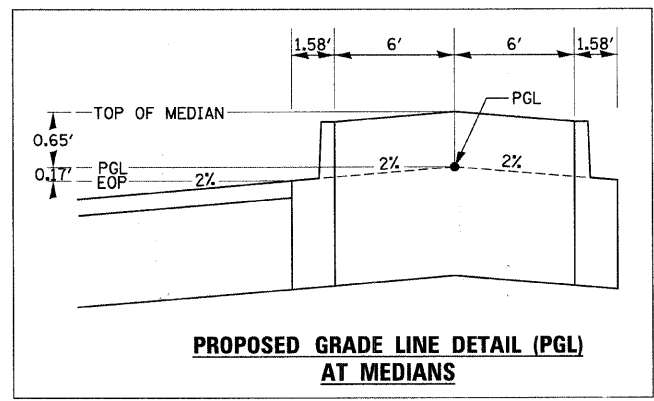


•SEE DETAIL SHEET XX FOR PATH THRU DRIVEWAYS

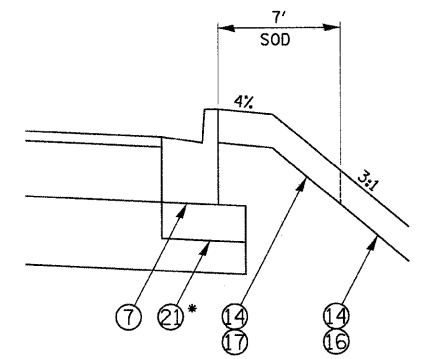
**PROPOSED INDIAN TRAIL
STA 40+97.00 TO STA 48+92.30**
••MEDIAN: STA. 43+22.60 TO STA. 48+92.30



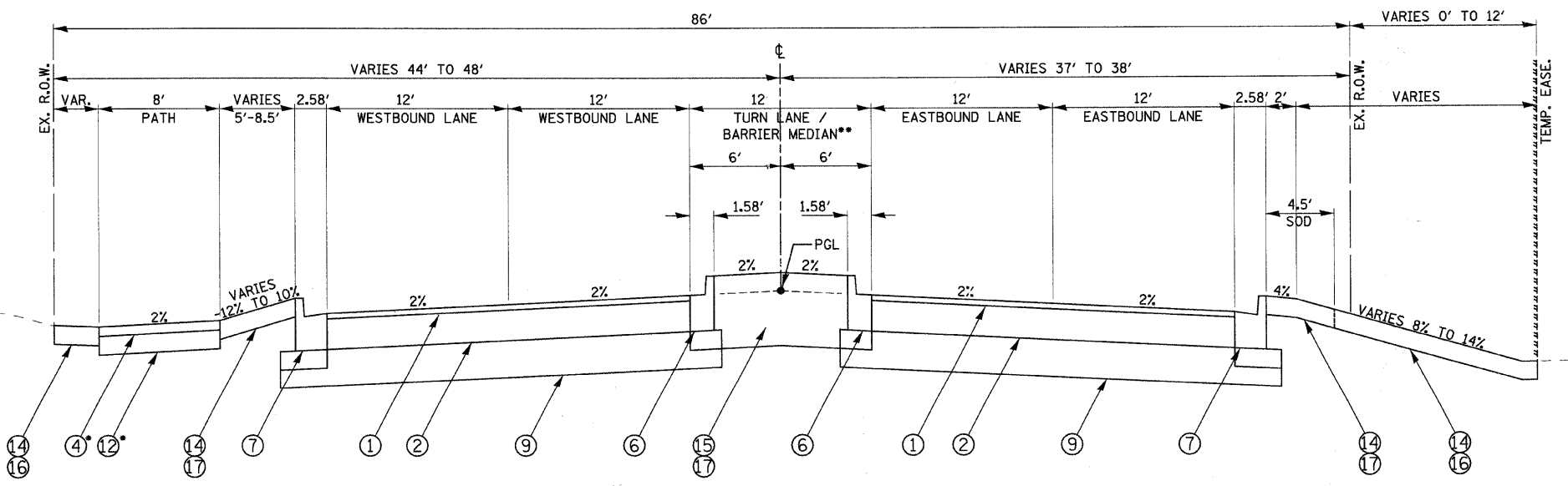
CURB THICKNESS DETAIL
THICKNESS ALSO APPLIES TO MEDIAN CURBS
•ON INDIAN TRAIL THIS ITEM INCLUDED AS PART OF AGGREGATE SUBGRADE - 12\"/>



**PROPOSED GRADE LINE DETAIL (PGL)
AT MEDIANS**

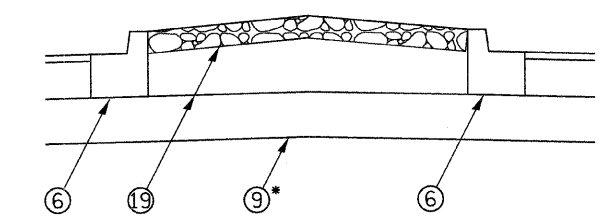


STA. 42+00 TO STA. 48+50
•ON INDIAN TRAIL THIS ITEM INCLUDED AS PART OF AGGREGATE SUBGRADE - 12\"/>



•SEE DETAIL SHEET *107 FOR PATH THRU DRIVEWAYS

**PROPOSED INDIAN TRAIL
STA 48+92.30 TO STA 54+12.32**
••MEDIAN: STA. 48+92.30 TO STA. 52+16.30



**PROPOSED MODULAR CONCRETE PAVER - SPECIAL
(CONCRETE PAVERS ON AGGREGATE BASES)**

- STA. 42+51.39 TO STA. 43+22.60
- STA. 60+34.52 TO STA. 61+37.07
- STA. 62+75.56 TO STA. 63+39.86
- STA. 69+66.75 TO STA. 70+31.05

• AGGREGATE SUBGRADE, 12" TO BE EXTENDED ACROSS MEDIAN IN LOCATIONS OF MODULAR CONCRETE PAVER - SPECIAL

LEGEND, PROPOSED

- ① POLYMERIZED HMA SURFACE COURSE, MIX "F", N90, 2" (40603595)
- ② POLYMERIZED HMA BINDER COURSE, IL-19.0, N90, 9-1/2" (40603240)
- ③ HMA BINDER COURSE, IL-19.0, N50, 4" (40603080)
- ④ HMA SURFACE COURSE, MIX "C", N50, 2" (40603310)
- ⑤ HMA BASE COURSE WIDENING, IL-19.0, N90, 9-1/2"
- ⑥ COMBINATION CONCRETE CURB AND GUTTER, TYPE B6.12 (60603800)
- ⑦ COMBINATION CONCRETE CURB AND GUTTER, TYPE B6.24 (60605000)
- ⑧ CONCRETE MEDIAN, TYPE SB-6.12 (60619600)
- ⑨ AGGREGATE SUBGRADE, 12" (Z0001050)
- ⑩ GEOTECHNICAL FABRIC FOR GRND. STABILIZATION (21001000)
- ⑪ SUB-BASE GRANULAR MATERIAL, TYPE B, 4" (31101200)
- ⑫ SUB-BASE GRANULAR MATERIAL, TYPE B, 8" (31101600)
- ⑬ PCC SIDEWALK, 5" (6" THRU DRIVEWAYS) (42400200/42400300)
- ⑭ TOPSOIL FURNISH AND PLACE, 6" (XX005238)
- ⑮ TOPSOIL FURNISH AND PLACE, 24" (XX005238)
- ⑯ SEEDING CLASS 2A W/EROSION CONTROL BLANKET (25000210/25100630)
- ⑰ SODDING, SALT TOLERANT (25200110)
- ⑱ STRIP REFLECTIVE CRACK CONTROL TREATMENT, SYSTEM A (44300900)
- ⑲ MODULAR CONCRETE PAVER (SPECIAL) ON AGGREGATE BASES (XX005845)
- ⑳ AGGREGATE SHOULDERS, TYPE A 6" (48100500)
- ㉑ SUB-BASE GRANULAR MATERIAL, TYPE B, 6" (CA-7)(TO BE PAID AS Z0001050)
- ㉒ LEVELING BINDER (MACHINE METHOD), N70 (40600635)

REVISIONS	
NAME	DATE

ILLINOIS DEPARTMENT OF TRANSPORTATION

TYPICAL SECTIONS
INDIAN TRAIL ROAD
SHEET 5 OF 10

SCALE: VERT. _____
HORIZ. N/A

DATE 1/7/09

DRAWN BY KMA
CHECKED BY TC/SBP



PLOT DATE = 5/26/2009
 PLOT SCALE = N/A
 PLOT USER = USER