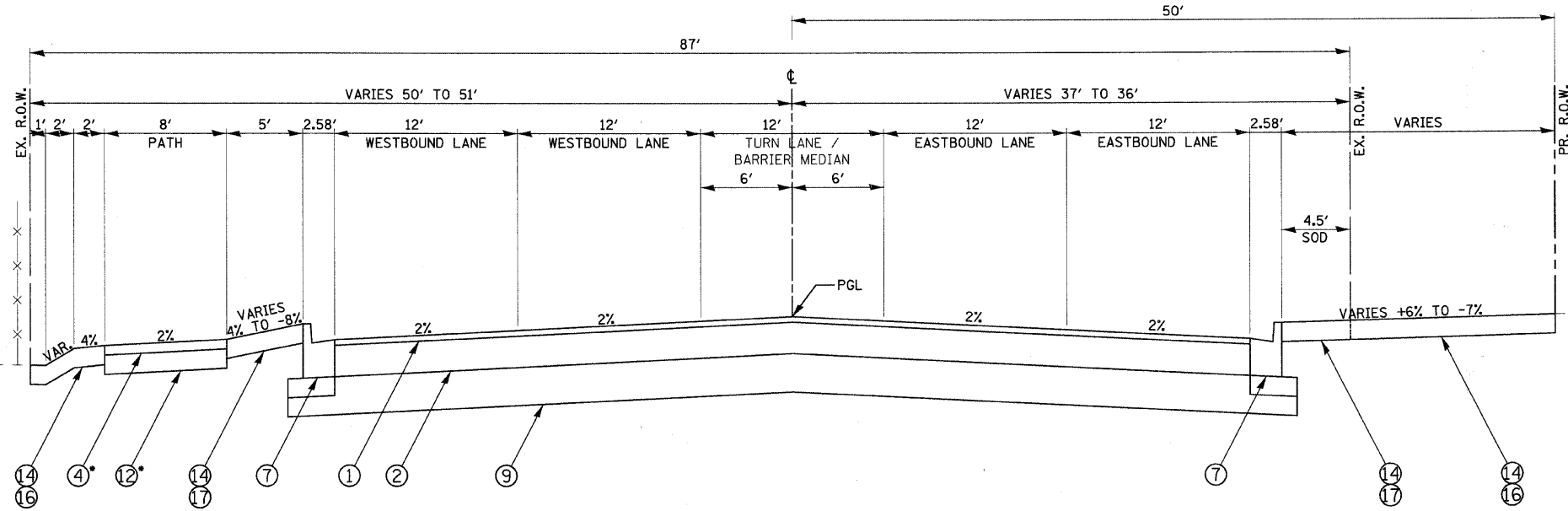


F.A.U. RTE.	SECTION	COUNTY	TOTAL SHEETS	SHEET NO.
1503	08-00260-01-PV	KANE	176	15
STA. 54+12.00		TO STA. 69+60.00		
FED. ROAD DIST. NO.	ILLINOIS	FED. AID PROJECT		



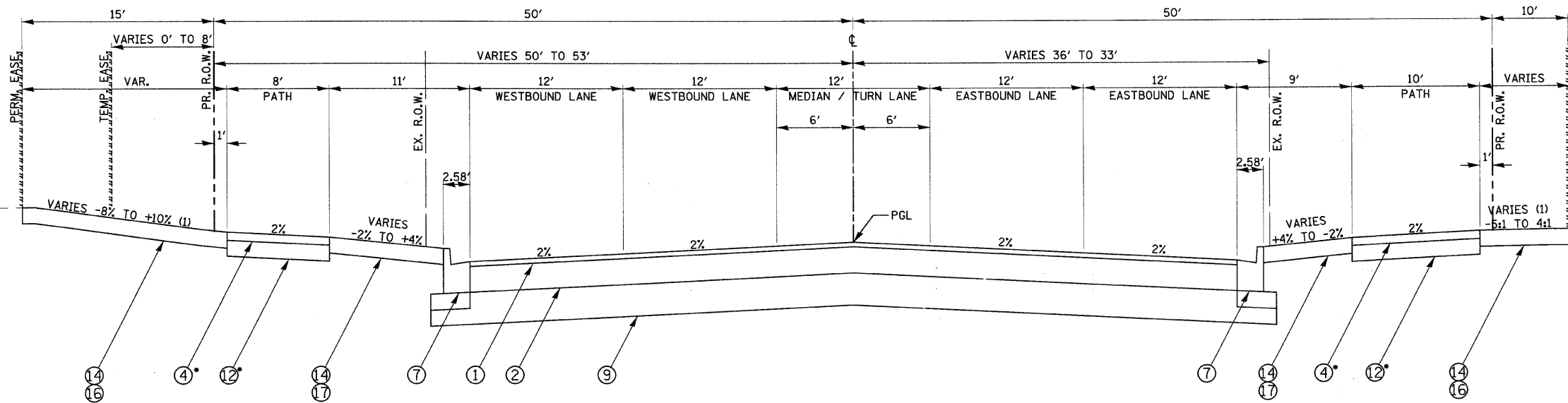
*SEE DETAIL SHEET XX FOR PATH THRU DRIVEWAYS

**PROPOSED INDIAN TRAIL
STA 54+12.32 TO STA 57+26.17**

LEGEND, PROPOSED

- ① POLYMERIZED HMA SURFACE COURSE, MIX "F", N90, 2" (40603595)
- ② POLYMERIZED HMA BINDER COURSE, IL-19.0, N90, 9-1/2" (40603240)
- ③ HMA BINDER COURSE, IL-19.0, N50, 4" (40603080)
- ④ HMA SURFACE COURSE, MIX "C", N50, 2" (40603310)
- ⑤ HMA BASE COURSE WIDENING, IL-19.0, N90, 9-1/2"
- ⑥ COMBINATION CONCRETE CURB AND GUTTER, TYPE B6.12 (60603800)
- ⑦ COMBINATION CONCRETE CURB AND GUTTER, TYPE B6.24 (60605000)
- ⑧ CONCRETE MEDIAN, TYPE SB-6.12 (60619600)
- ⑨ AGGREGATE SUBGRADE, 12" (Z0001050)
- ⑩ GEOTECHNICAL FABRIC FOR GRND. STABILIZATION (21001000)
- ⑪ SUB-BASE GRANULAR MATERIAL, TYPE B, 4" (31101200)
- ⑫ SUB-BASE GRANULAR MATERIAL, TYPE B, 8" (31101600)
- ⑬ PCC SIDEWALK, 5" (6" THRU DRIVEWAYS) (42400200/42400300)
- ⑭ TOPSOIL FURNISH AND PLACE, 6" (XX005238)
- ⑮ TOPSOIL FURNISH AND PLACE, 24" (XX005238)
- ⑯ SEEDING CLASS 2A W/EROSION CONTROL BLANKET (25000210/25100630)
- ⑰ SODDING, SALT TOLERANT (25200110)
- ⑱ STRIP REFLECTIVE CRACK CONTROL TREATMENT, SYSTEM A (44300900)
- ⑲ MODULAR CONCRETE PAVER (SPECIAL) ON AGGREGATE BASES (XX005845)
- ⑳ AGGREGATE SHOULDERS, TYPE A 6" (48100500)
- ㉑ SUB-BASE GRANULAR MATERIAL, TYPE B, 6" (CA-7)(TO BE PAID AS Z0001050)
- ㉒ LEVELING BINDER (MACHINE METHOD), N70 (40600635)

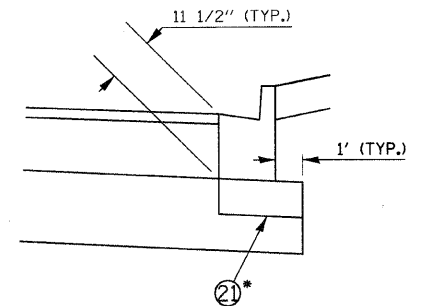
(1) A 2' SHOULDER @ 4% IS PROVIDED WHERE SLOPE > 6%.



*SEE DETAIL SHEET *107 FOR PATH THRU DRIVEWAYS

**PROPOSED INDIAN TRAIL
STA 57+26.17 TO STA 69+59.73**

*SEE DETAIL SHEET *107 FOR PATH THRU DRIVEWAYS



CURB THICKNESS DETAIL

*ON INDIAN TRAIL THIS ITEM INCLUDED AS PART OF AGGREGATE SUBGRADE - 12" (Z0001050)

PLOT DATE = 6/25/2009
 PLOT SCALE = 1/4" = 1'-0"
 USER NAME = USER



REVISIONS	
NAME	DATE

ILLINOIS DEPARTMENT OF TRANSPORTATION

TYPICAL SECTIONS
INDIAN TRAIL ROAD
SHEET 6 OF 10

SCALE: VERT. 1/4" = 1'-0"
HORIZ. N/A
DATE 1/7/09

DRAWN BY KMA
CHECKED BY TC/SBP