

F.A.U. RTE.	SECTION	COUNTY	TOTAL SHEETS	SHEET NO.
1503	08-00260-01-PV	KANE	176	108
STA.		TO STA.		
FED. ROAD DIST. NO.		ILLINOIS	FED. AID PROJECT	

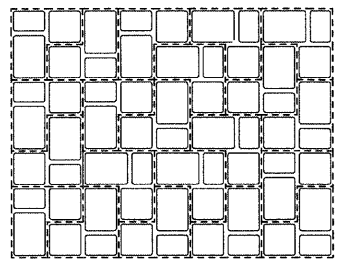
STRUCTURAL DESIGN OF UNILOC ECO-OPTILOC PAVEMENT

STRUCTURAL NUMBERS (SN):
(STRUCTURAL NUMBERS VARY DEPENDING ON THE SPECIFICATIONS OF THE INDIVIDUAL PRODUCT. THESE NUMBERS ARE CONSERVATIVE FOR THE PURPOSE OF PROVIDING THE BEST POSSIBLE PRODUCT)

- CONCRETE = 0.50
- UNILOC ECO-OPTILOC = 0.50
- ASPHALT SURFACE COURSE = 0.40
- ASPHALT BASE COURSE = 0.30
- ROCK BASE = 0.10

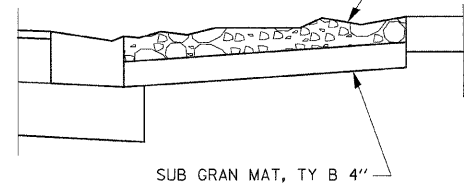
UNILOC ECO-OPTILOC - 3" PAVER BLOCK
ON 2" CA-17 ROCK ON 17" CA-7 ROCK

SN = 3" x 0.50 + 19" x 0.10 = 3.4



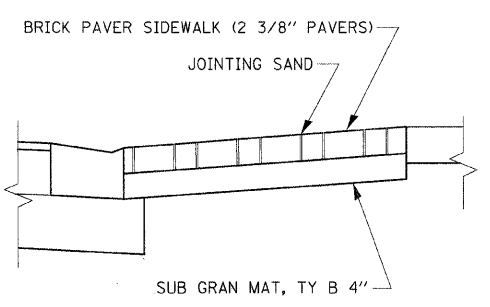
PAVERS MUST BE INSTALLED PER UNILOC SPECIFICATIONS AND LAYING PATTERNS

EXPOSED AGGREGATE CONCRETE. (5" THICKNESS)
COLOR AND WHITE AGGREGATE TO BE INTEGRAL TO THE CONCRETE MIX.

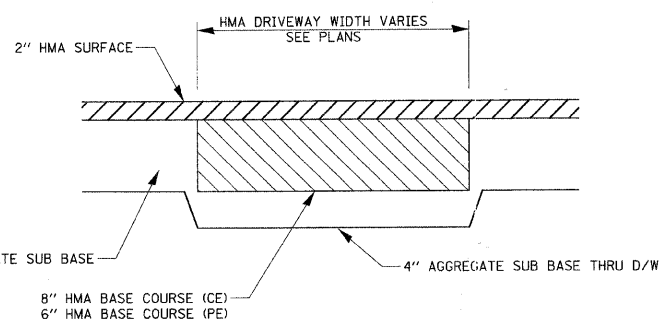


EXPOSED AGGREGATE CONCRETE SIDEWALK

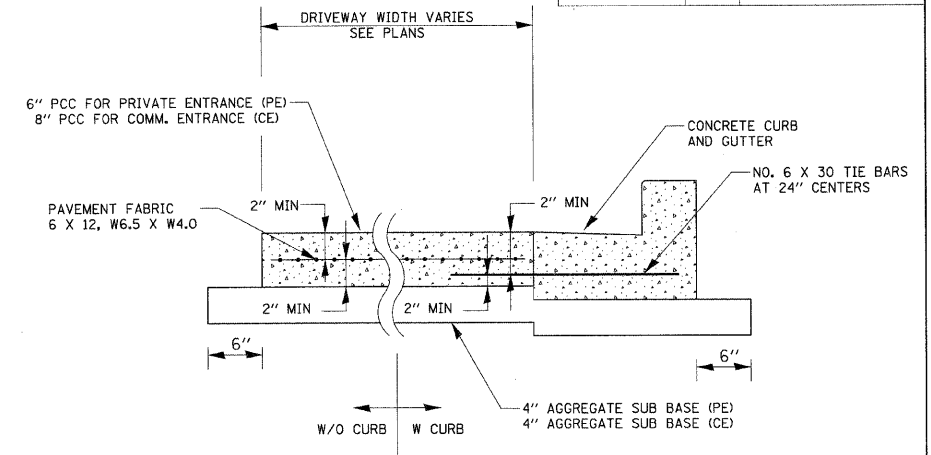
EXPOSED AGGREGATE SIDEWALK DESIGN NOTES
 Color: Scofield Integral Color SG, SG084-2 Wheat Fields
 Retarder: "Top Cast" No. Code 50 by Grace Construction Products
 Curing Agent: Curesal S with Anti-skid Agent
 Anti-Skid Agent: Ozinga Grip at 16 oz / 5 gal of Curesal
 Course Aggregate: CA#7 from Vulcan's McCook Quarry
 Design Mix:
 Ozinga Design Mix - 1097
 Strength at 28 days - 4,000 PSI
 Slump Range - 4" 35/64 1"
 Air Content - 5% 35/64 1/2"
 Cement - 470 lb Type 1, ASTM C150
 Fly Ash - 100 lb, ASTM C618
 Fine Aggregate - 1,360 lb / cy, #2 Natural Sand, ASTM C33
 Course Aggregate - 1,750 lb / cy, CA#7, ASTM C33
 Water - 260 lbs / cy, ASTM C94 Potable
 Water Reducing Agent - 14.1 oz / cy, ASTM C494, Type A/D



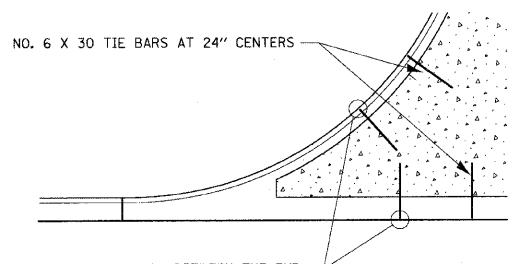
CONCRETE PAVER SIDEWALK SECTION



HMA PATH AT DRIVEWAY CROSSING



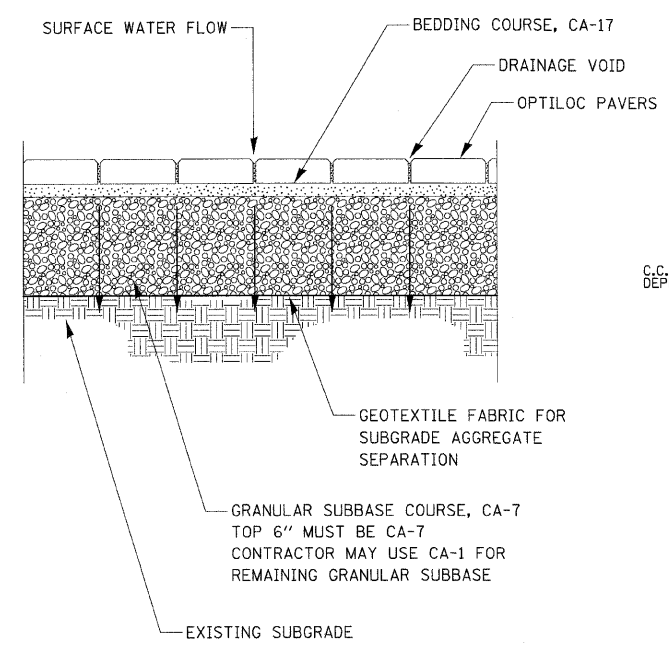
CONCRETE DRIVEWAY



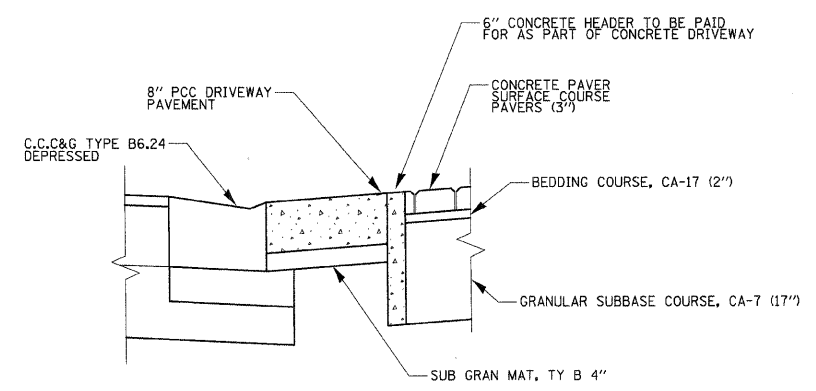
A MINIMUM CLEARANCE OF 2" BETWEEN THE END OF THE TIE BAR AND THE OUTSIDE FACE OF THE CURB SHALL BE MAINTAINED.

TIE BARS FOR CONCRETE DRIVEWAY WITH ADJACENT CURB AND GUTTER

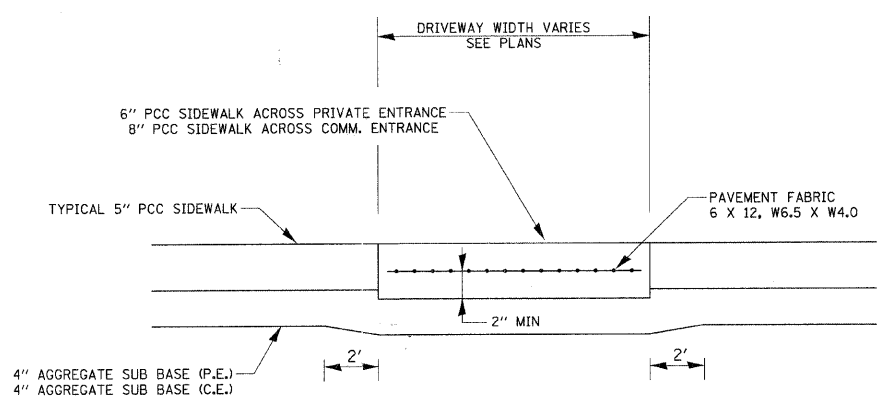
CONCRETE COMMERCIAL ENTRANCE



PERMIABLE CONCRETE PAVER SURFACE



SECTION AT POLICE HEADQUARTERS AND PARK ENTRANCE



SIDEWALK CROSSING DRIVEWAY

REVISIONS	
NAME	DATE

ILLINOIS DEPARTMENT OF TRANSPORTATION
 CONSTRUCTION DETAILS
 SCALE: VERT. NONE
 HORIZ. NONE
 DATE: 1/7/09
 DRAWN BY: TC/SBP
 CHECKED BY: TC/SBP

RHAA
 Robert H. Anderson & Associates, Inc.
 Consulting Engineers & Land Surveyors
 License No. 084-005581
 Phone No. 630-584-3530

PLOT DATE = 1/5/2009
 FILE NAME = H:\Aurora\120859_11P\11\Civil\Sheet\Detail\A_Rd02.dgn
 PLOT SCALE = NONE
 USER NAME = USER