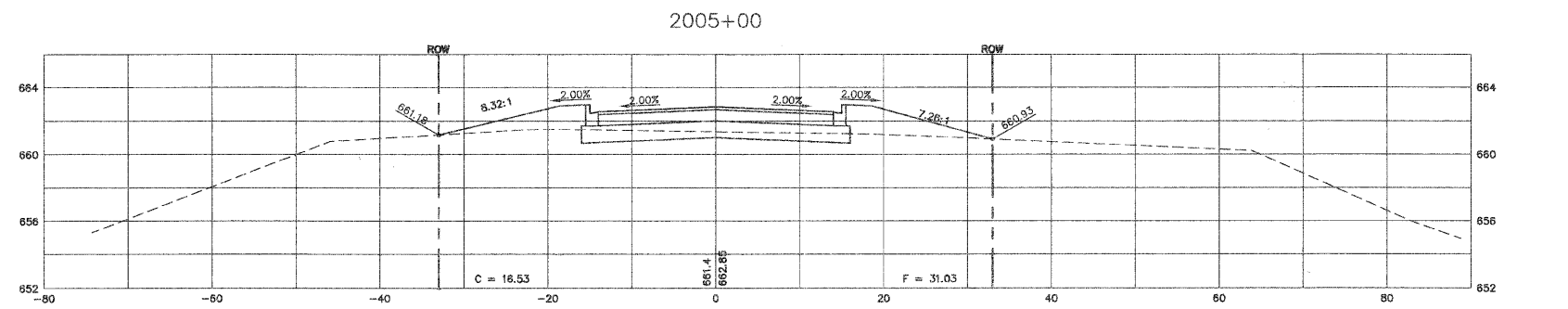
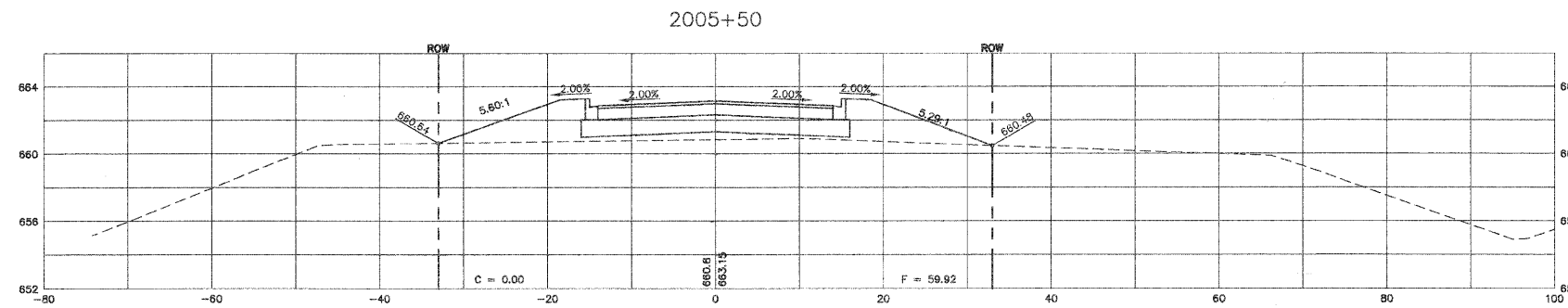
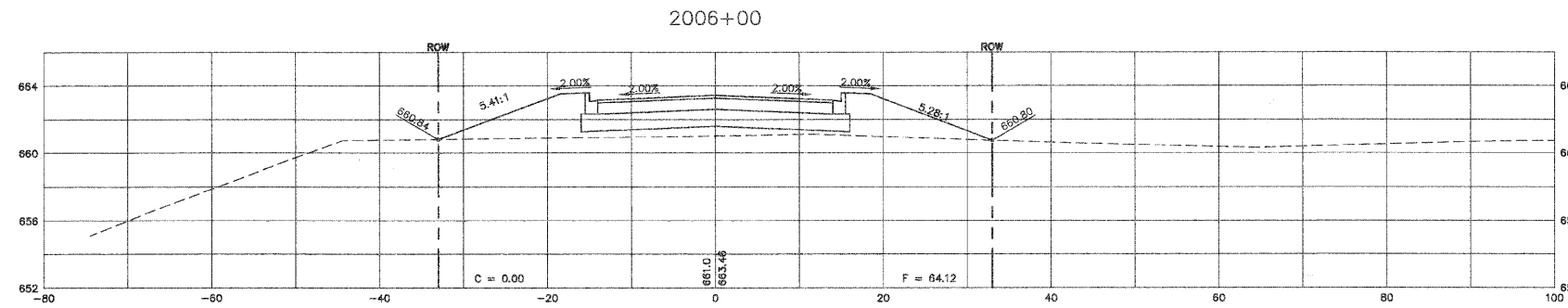




F.A.U. RTE.	SECTION	COUNTY	TOTAL SHEETS	SHEET NO.
1680	05-00038-00-PV	KANE/KENDALL	130	104
STA.		TO STA.		
FED. ROAD DIST. NO. -		ILLINOIS	FED. AID PROJECT	

PLAN	SURVEYED	DATE
NOTE BOOK NO.	PLOTTED	
	CHECKED	
	BY	
	DATE	

PROFILE	SURVEYED	DATE
NOTE BOOK NO.	PLOTTED	
	CHECKED	
	BY	
	DATE	



SCALE:
 HORIZONTAL 1" = 10'
 VERTICAL 1" = 5'

REVISIONS	
NAME	DATE

ILLINOIS DEPARTMENT OF TRANSPORTATION

BASELINE ROAD CROSS SECTIONS

SCALE: DRAWN BY: KKP
 DATE: 03-26-09 CHECKED BY: TVW