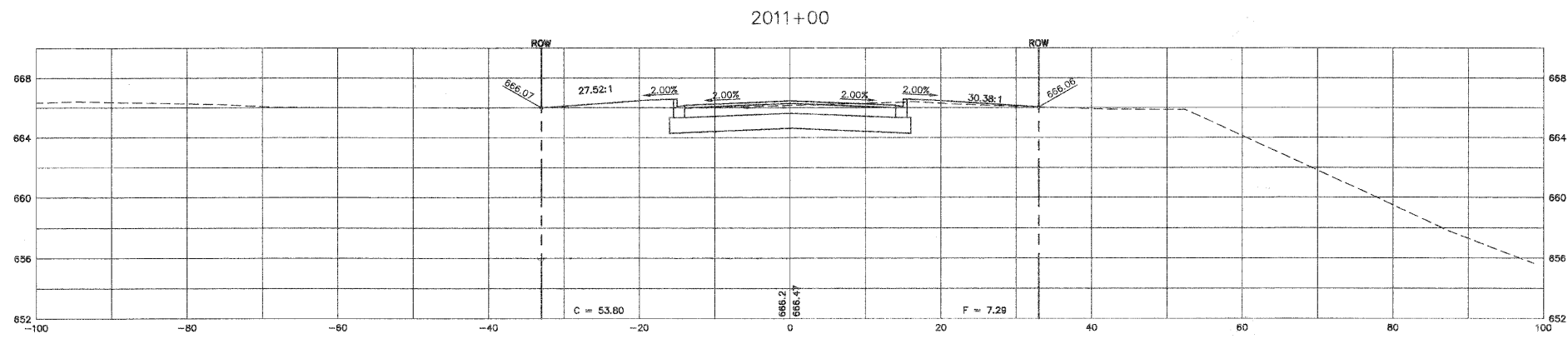
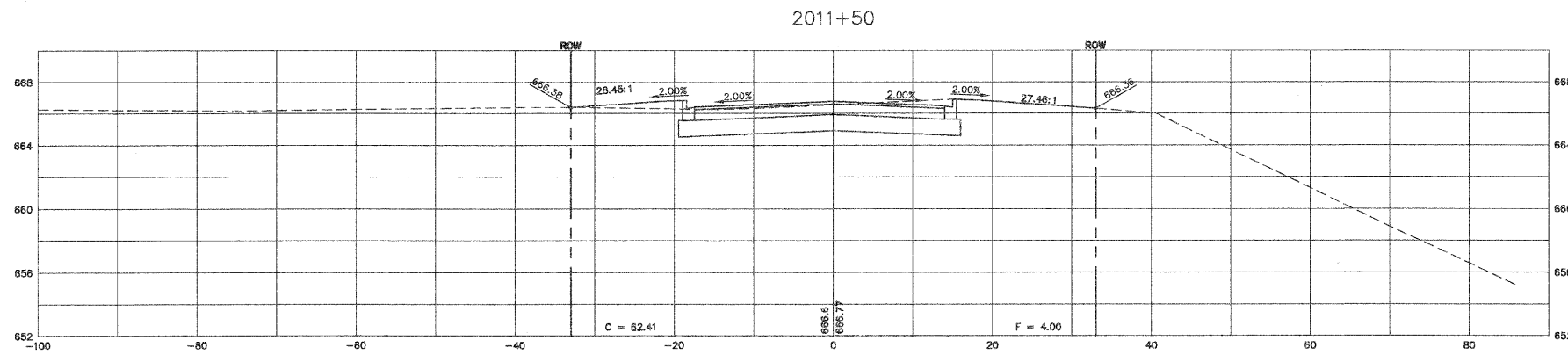
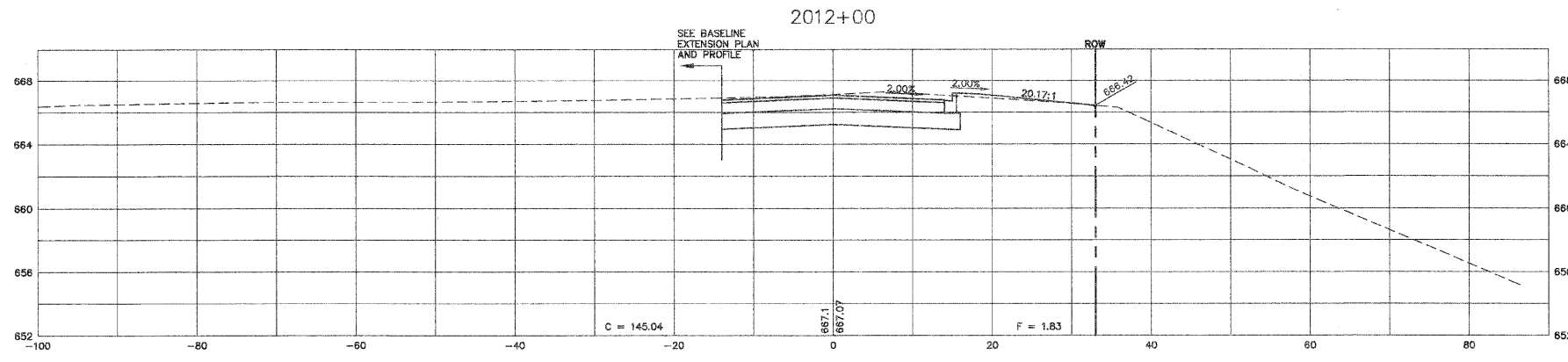




F.A.U. RTE.	SECTION	COUNTY	TOTAL SHEETS	SHEET NO.
1680	05-00038-00-PV	KANE/KENDALL	130	107
STA.		TO STA.		
FED. ROAD DIST. NO. -		ILLINOIS	FED. AID PROJECT	

PLAN	DATE
BY	
REVISIONS	
PLOTTED	
GRADES CHECKED	
ALIGNMENT CHECKED	
NOTE BOOK NO.	
CADD FILE NAME	

PROFILE	DATE
BY	
REVISIONS	
PLOTTED	
GRADES CHECKED	
STRUCTURE NOTATION CHKD	
NOTE BOOK NO.	



SCALE:
 HORIZONTAL 1" = 10'
 VERTICAL 1" = 5'

REVISIONS	
NAME	DATE

ILLINOIS DEPARTMENT OF TRANSPORTATION

BASELINE ROAD CROSS SECTIONS

SCALE: DATE: 03-26-09

DRAWN BY: KKP
 CHECKED BY: TVW