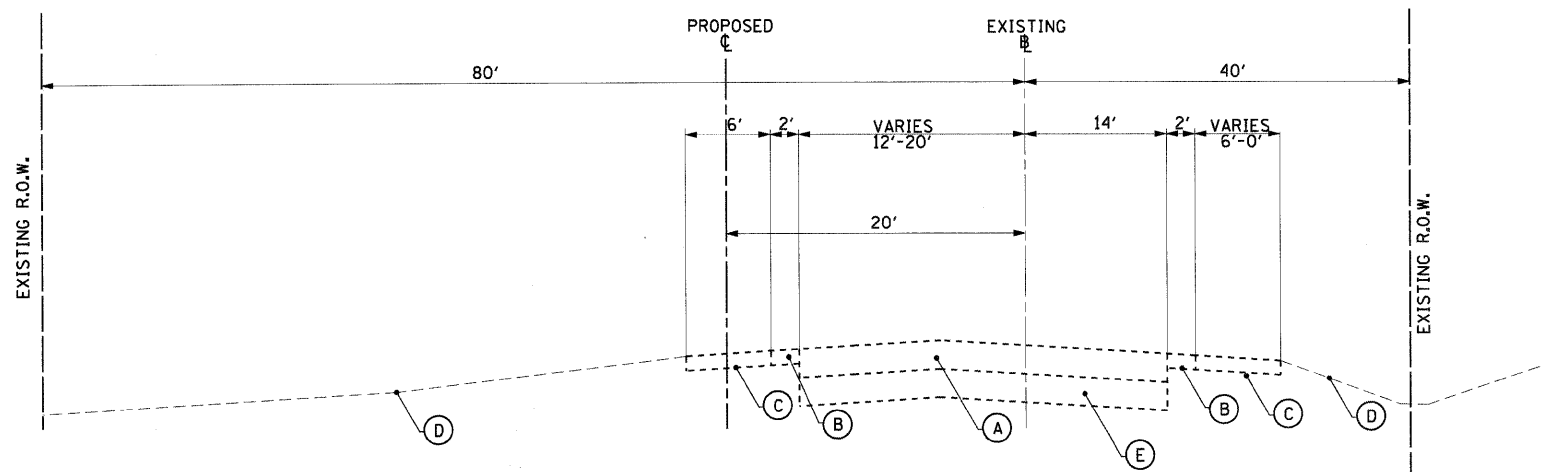
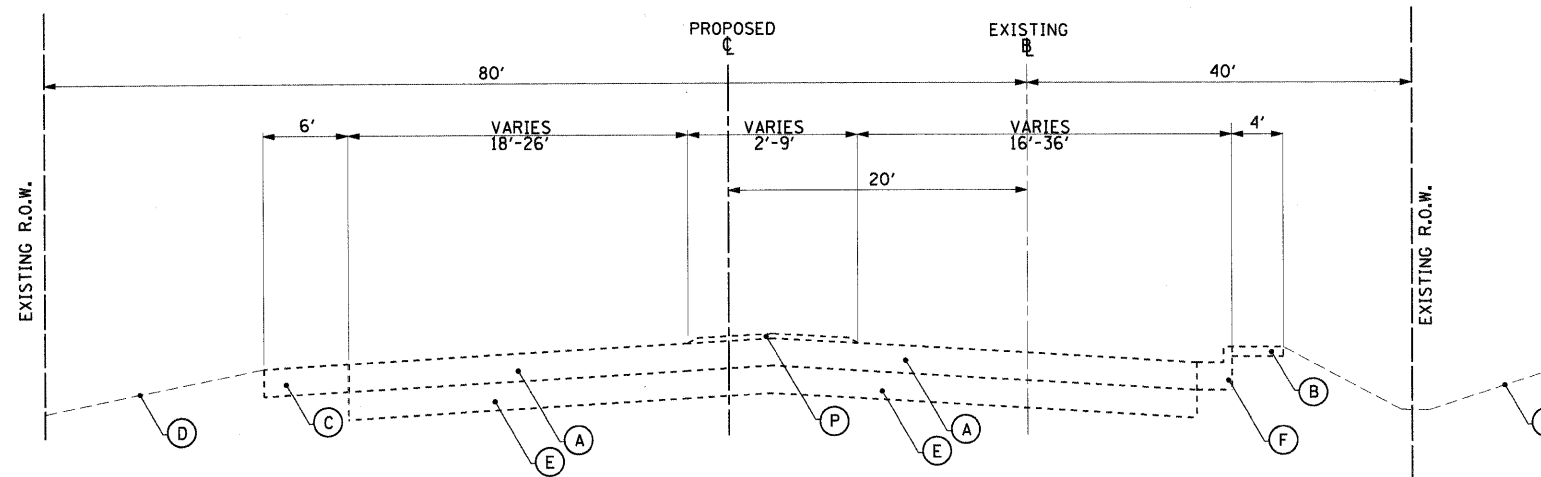


EXISTING WASHINGTON STREET (UNDER I-94 TRI-STATE OVERPASS)
 STA. 160+88.00 TO STA. 162+12.00
 (SECTION REFLECTS BRIDGE PRIOR TO IMPROVEMENTS BY THE ILLINOIS TOLLWAY)



EXISTING WASHINGTON STREET
 STA. 163+57.80 TO STA. 165+87.28

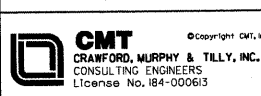


EXISTING WASHINGTON STREET
 STA. 165+87.28 TO STA. 172+77.78

LEGEND

- (A) EXISTING ASPHALT PAVEMENT 10"
- (B) EXISTING ASPHALT SHOULDER 4"
- (C) EXISTING AGGREGATE SHOULDER 4"
- (D) EXISTING TURF AREA
- (E) EXISTING AGGREGATE BASE COURSE 10"
- (F) EXISTING COMBINATION CONCRETE CURB AND GUTTER, TYPE B-6.24
- (G) EXISTING COMBINATION CONCRETE CURB AND GUTTER, TYPE B-6.12
- (H) EXISTING COMBINATION CONCRETE CURB AND GUTTER, TYPE M-2.12
- (J) EXISTING ASPHALT MULTI-USE PATH
- (K) EXISTING GUARDRAIL
- (L) EXISTING RETAINING WALL
- (M) EXISTING BRIDGE PIER
- (N) EXISTING 4" PIPE UNDERDRAIN
- (P) EXISTING CONCRETE MEDIAN
- (R) EXISTING TURF MEDIAN

FILE NAME = D:\projects\0822481\Drawings\Sheet\TYP_EX_02.dgn



USER NAME = Menice Crinson	DESIGNED - SJP	REVISED -
PLOT SCALE = 28,0000 "/>		

DRAWN - SJP	REVISED -
CHECKED - KDN	REVISED -
DATE - 07/15/09	REVISED -



EXISTING TYPICAL SECTION	
SCALE: N.T.S.	SHEET NO. 2 OF 3 SHEETS
STA. N/A	TO STA. N/A

F.A. RTE.	SECTION	COUNTY	TOTAL SHEETS	SHEET NO.
1016	02-00110-12-WR	LAKE	206	21
CONTRACT NO. 63209				
FED. ROAD DIST. NO. 1 ILLINOIS FED. AID PROJECT				