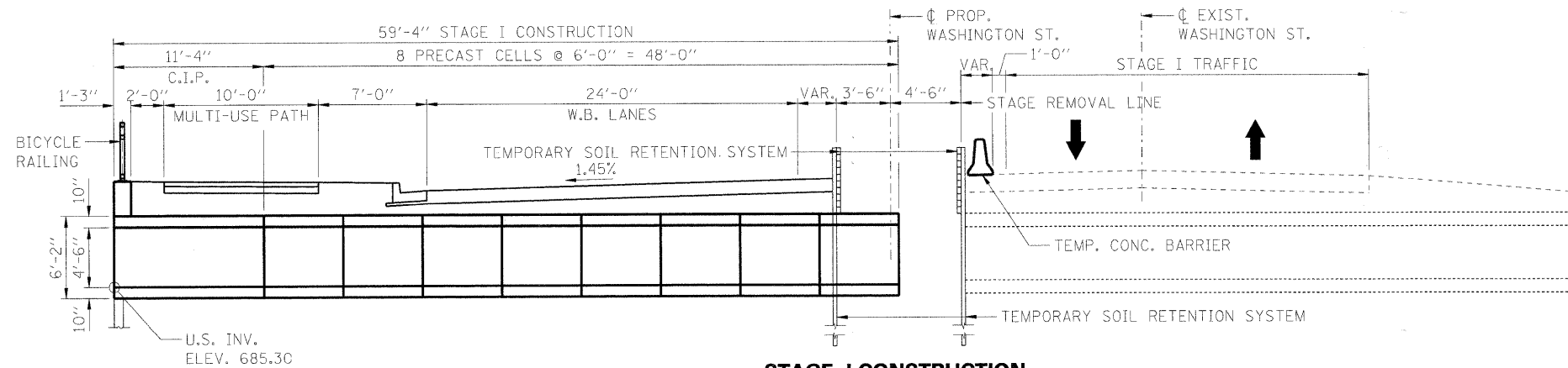
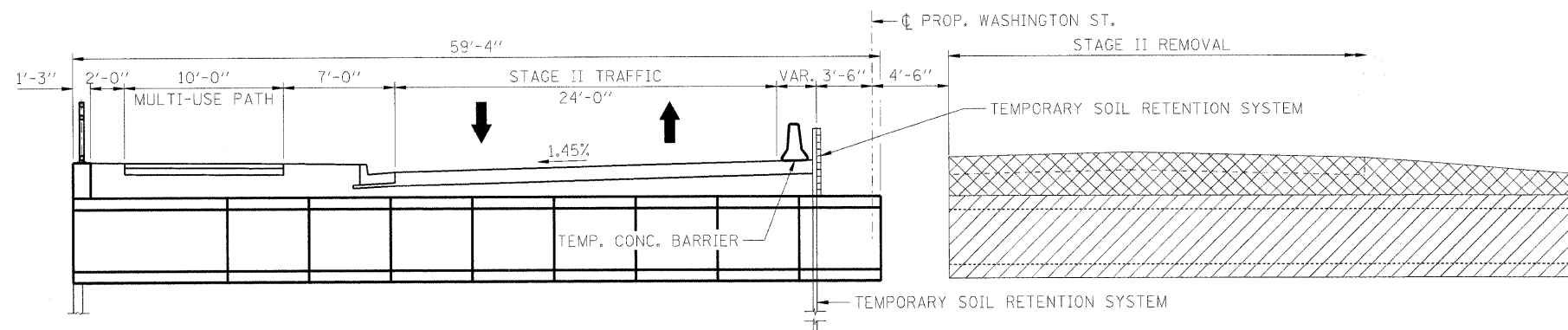


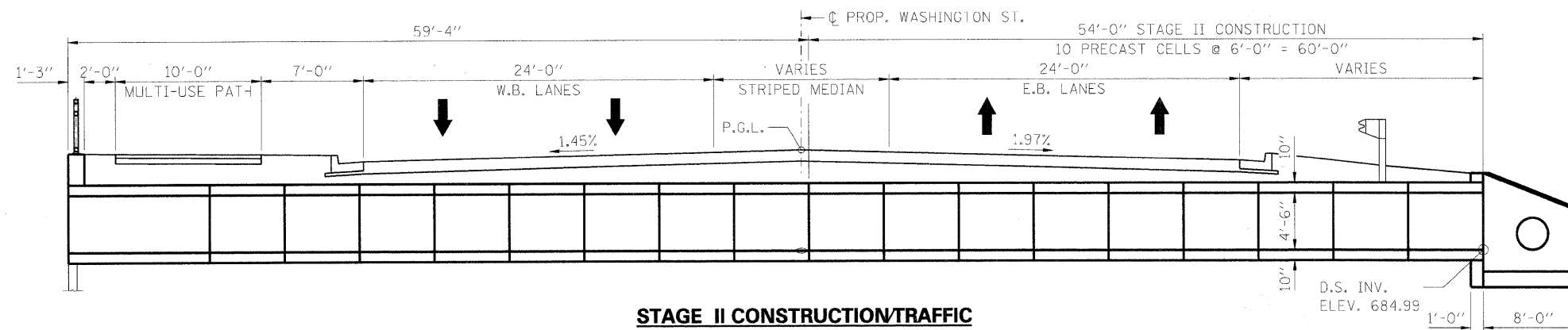
STAGE I REMOVAL



STAGE I CONSTRUCTION



STAGE II REMOVAL



STAGE II CONSTRUCTION/TRAFFIC

LEGEND

- PAVEMENT REMOVAL
- PIPE CULVERT REMOVAL

FILE NAME: I:\Lakeco\0822481\drw\shhets\ST_3.dgn



USER NAME = Steve Prange	DESIGNED - ATI	REVISED -
PLOT SCALE = 6.0000" / 1"	DRAWN - PA	REVISED -
PLOT DATE = 05/29/09	CHECKED - KDN	REVISED -
	DATE - 05/29/09	REVISED -



**PROPOSED BOX CULVERT SEQUENCE OF CONSTRUCTION
STATION 156 + 74**

SCALE: N/A SHEET NO. 1 OF 1 SHEETS STA. N/A TO STA. N/A

F.A. RTE.	SECTION	COUNTY	TOTAL SHEETS	SHEET NO.
1016	02-00110-12-WR	LAKE	206	116
CONTRACT NO. 63209				
FED. ROAD DIST. NO. 1 ILLINOIS FED. AID PROJECT				