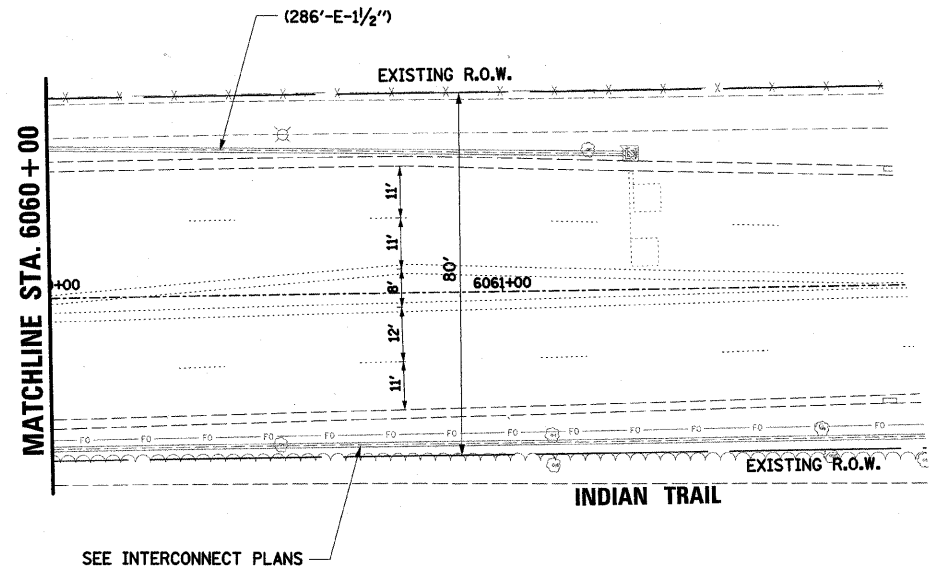
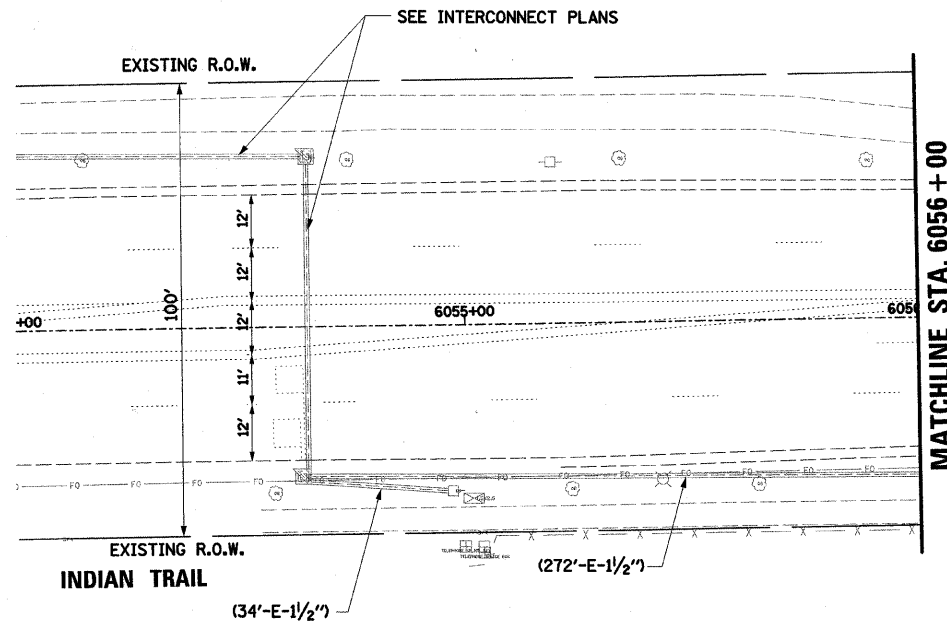
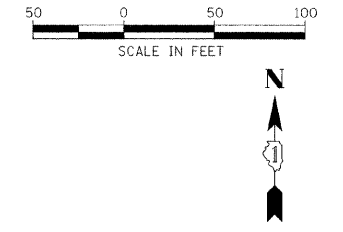
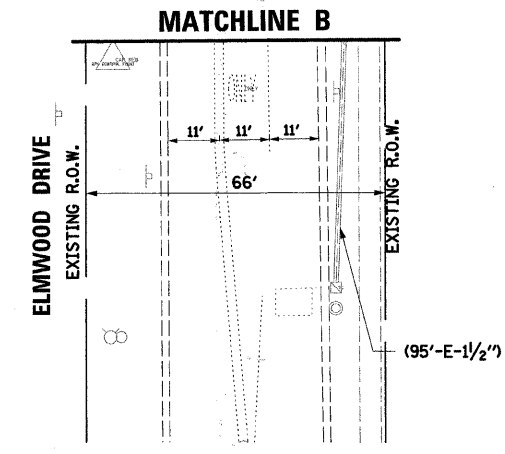
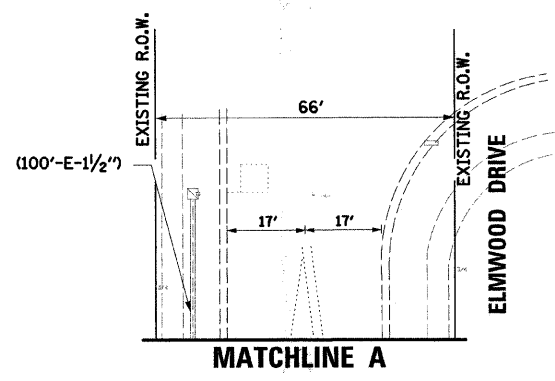


PLAN	DATE
BY	
DESIGNED	
GRADES CHECKED	
ALIGNMENT CHECKED	
FIELD FILE NAME	
NOTE BOOK NO.	

PROFILE	DATE
BY	
DESIGNED	
GRADES CHECKED	
ALIGNMENT CHECKED	
FIELD FILE NAME	
NOTE BOOK NO.	
PROJECT USE NOTATION: CHFD	



RESTORATION OF WORK AREA:
 RESTORATION OF THE TRAFFIC SIGNAL WORK AREA SHALL BE INCIDENTAL TO THE RELATED PAY ITEM SUCH AS FOUNDATION, CONDUIT, HANDHOLE, TRENCH AND BACKFILL, ETC., AND NO EXTRA COMPENSATION SHALL BE ALLOWED. ALL ROADWAY SURFACES SUCH AS SHOULDERS, MEDIANS, SIDEWALKS, PAVEMENT, ETC. SHALL BE REPLACED IN KIND. ALL DAMAGE TO MOWED LAWNS SHALL BE REPLACED WITH AN APPROVED SOD, AND ALL DAMAGE TO UNMOWED FIELDS SHALL BE SEED IN ACCORDANCE WITH STANDARD SPECIFICATIONS 252 AND 250 RESPECTIVELY.



TRAFFIC SIGNAL LEGEND

	PROPOSED	EXISTING		PROPOSED	EXISTING
CONTROLLER			DETECTOR LOOP		
SERVICE INSTALLATION			CAST IRON JUNCTION BOX		
SIGNAL HEAD			EMERGENCY VEHICLE LIGHT DETECTOR		
SIGNAL HEAD WITH BACKPLATE			CONFIRMATION BEACON		
SIGNAL HEAD, PEDESTRIAN			SIGNAL HEAD OPTICALLY PROGRAMMED		
SIGNAL POST			CONDUIT SPLICE		
MAST ARM ASSEMBLY AND POLE, STEEL			WOOD POLE		
MAST ARM ASSEMBLY AND POLE, ALUMINUM			RACEWAY FOR MAGNETIC DETECTOR, TYPE I OR TYPE II		
COMBINATION MAST ARM ASSEMBLY AND POLE, STEEL WITH LUMINAIRE			VEHICLE DETECTOR, NON COMPENSATED MAGNETIC TYPE		
UNIT DUCT			RAILROAD CONTROL CABINET		
COMMON TRENCH			TELEPHONE CONNECTION		
HANDHOLE			ILLUMINATED SIGN "NO LEFT TURN"		
HEAVY DUTY HANDHOLE			ILLUMINATED SIGN "NO RIGHT TURN"		
DOUBLE HANDHOLE			UNINTERRUPTABLE POWER SUPPLY		
G.S. CONDUIT IN TRENCH (T) OR PUSHED (P)			VIDEO DETECTION CAMERA		
PEDESTRIAN PUSHBUTTON DETECTOR			VIDEO DETECTION AREA		
PAN/TILT/ZOOM CAMERA			WIRELESS ANTENNA		

FILE NAME = ...sheets\698_6...sig_03b...elm2.dgn

USER NAME = _USER_
 DESIGNED -
 DRAWN BAH
 CHECKED APS
 PLOT SCALE = #SCALE#
 PLOT DATE = 7/28/2009

DESIGNED -
 REVISED -
 REVISED -
 REVISED -
 REVISED -

DESIGNED -
 REVISED -
 REVISED -
 REVISED -
 REVISED -

STATE OF ILLINOIS
 DEPARTMENT OF TRANSPORTATION

TRAFFIC SIGNAL MODIFICATION PLAN
 ELMWOOD DRIVE
 (SHEET 2 OF 2)

F.A.U. RTE. 1503 SECTION 08-00271-00-TL COUNTY KANE TOTAL SHEETS 30 SHEET NO. 17 CONTRACT NO. 63246
 FED. ROAD DIST. NO. ILLINOIS FED. AID PROJECT