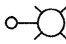
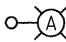
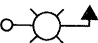
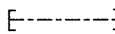
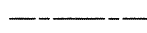


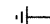
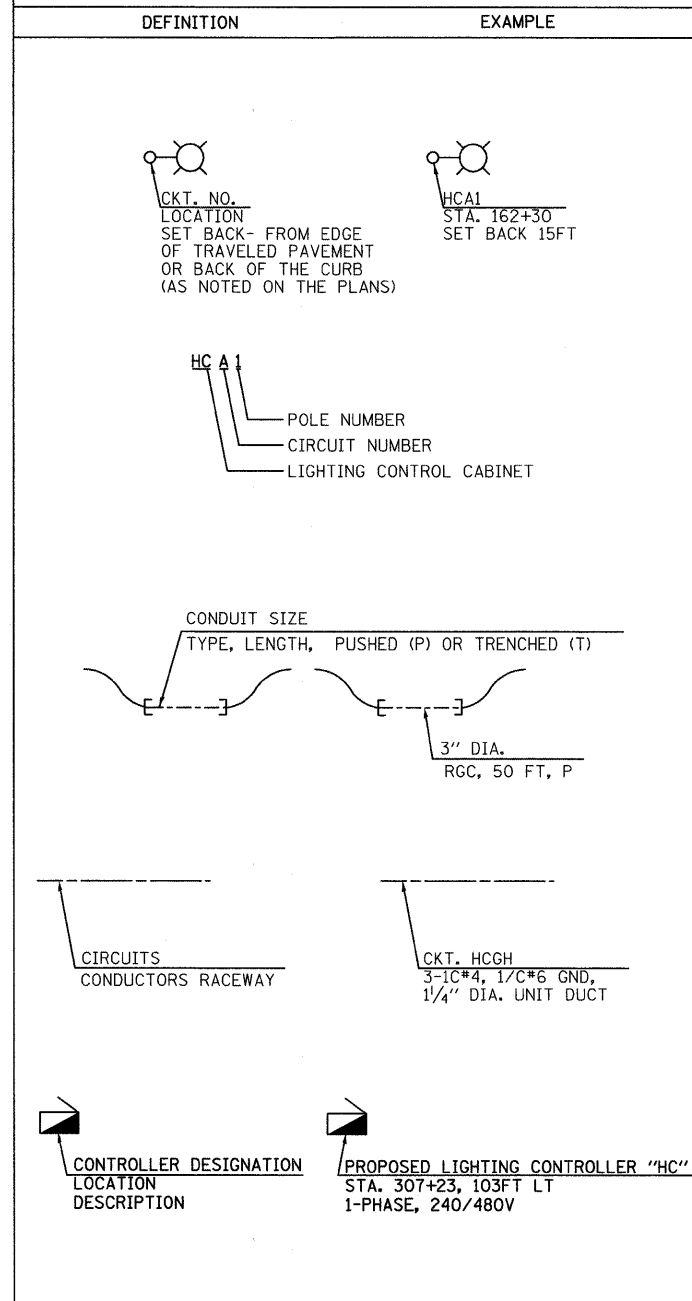


LEGEND (IDOT)

-  PROPOSED LIGHTING UNIT
47.5' M.H., 15' M.A., 400W, 240V HPS LUMINAIRE
TRANSFORMER BASE BREAKAWAY
-  PROPOSED LIGHTING UNIT
47.5' M.H., 15' M.A., 250W, 240V HPS LUMINAIRE
TRANSFORMER BASE BREAKAWAY
-  COMBINATION LIGHTING UNIT
45' M.H., 15' M.A., 400W, 240V HPS LUMINAIRE
-  RIGID GALVANIZED STEEL CONDUIT (RGC)
PUSHED (P), OR TRENCHED (T)
SIZE AS INDICATED
-  UNIT DUCT, AS SPECIFIED IN PLANS
-  PROPOSED LIGHTING CONTROLLER CABINET "HC",
SINGLE DOOR, CONSOLE TYPE, IDOT MAINTAINED
100A, 240/480V, 1Ø
-  PROPOSED ELECTRIC SERVICE TRANSFORMER
BY COMED ON EXISTING OR PROPOSED
UTILITY WOOD POLE
-  ELECTRIC GROUND ROD

CALL-OUT SAMPLES



ABBREVIATIONS

SYMBOL	DESCRIPTION
AC	ALTERNATING CURRENT
A/C	AERIAL CABLE
AFG	ABOVE FINISHED GRADE
CB	CIRCUIT BREAKER
CKT	CIRCUIT
CM	CENTIMETER
CNC	COILABLE NONMETALLIC CONDUIT
CT	CURRENT TRANSFORMER
CP	CONTROL PANEL
DA	DAVIT ARM
DC	DIRECT CURRENT
DIA	DIAMETER
DP	DISTRIBUTION PANEL
E	EXISTING UNIT TO REMAIN
ECA	ELECTRIC CABLE ASSEMBLY
EM	EXISTING UNIT TO BE MODIFIED (e.g. NEW LUMINAIRE, BALLAST OR MAST ARM)
ER	EXISTING RELOCATED UNIT
ET	EXISTING TEMPORARY UNIT TO REMAIN
ETR	EXISTING TEMPORARY RELOCATED UNIT
FT	FEET OR FOOT
FND BW	FOUNDATION BARRIER WALL
FND BW OS	FOUNDATION BARRIER WALL OFFSET
FND CON	FOUNDATION CONCRETE
FND CON OS	FOUNDATION CONCRETE OFFSET
FND MET	FOUNDATION METAL
FND PW	FOUNDATION PARAPET WALL
FU	FUSE
GND	GROUND
HD	HIGH INTENSITY DISCHARGE
JB	JUNCTION BOX
KVA	KILOVOLT-AMPERE
KW	KILOWATTS
M	METER
MA	MAST ARM
MM	MILLIMETER
MH	MOUNTING HEIGHT
NO. *	NUMBER
P	PROPOSED
PB	PUSH BUTTON
PNL	PANEL
PVCC RGC	PVC COATED RIGID GALVANIZED CONDUIT
PT	POTENTIAL TRANSFORMER
R	EXISTING UNIT TO BE REMOVED (OWNER SALVAGED U.N.O.)
RR	EXISTING UNIT TO BE REMOVED AND REINSTALLED
RECP	RECEPTACLE
RGC	RIGID GALVANIZED CONDUIT
RGS	RIGID GALVANIZED STEEL
SEL SW	SELECTOR SWITCH
SPARE	SPARE
SPACE	SPACE
SS	STAINLESS STEEL
STA	STATION
T	TEMPORARY LIGHTING UNIT
TB	TRANSFORMER BASE
TMP	TEMPORARY
TR	TEMPORARY UNIT TO BE REMOVED, SALVAGE EQUIPMENT AS SPECIFIED
TRR	TEMPORARY UNIT TO BE REMOVED AND RELOCATED
TUR	TEMPORARY UNIT ON UTILITY POLE TO BE REMOVED
UD	UNIT DUCT
U.N.O.	UNLESS NOTED OTHERWISE
WP	WOOD POLE
XFMR	TRANSFORMER

GENERAL NOTES:

1. THE CONTRACTOR SHALL VERIFY ALL OF THE INFORMATION SHOWN ON THE CONTRACT DRAWINGS, WHICH WOULD AFFECT THE WORK UNDER THIS CONTRACT.
2. IT IS THE RESPONSIBILITY OF THE CONTRACTOR TO ASCERTAIN EXISTING FIELD CONDITIONS BEFORE BIDDING ON THIS PROJECT, SPECIFICALLY AS THEY RELATE TO LUMP SUM ITEMS AND UNIT PRICE ITEMS.
3. ALL NEW CONDUITS, UNIT DUCTS, DIRECT BURIAL CABLES, AND APPURTENANCES ARE INDICATED DIAGRAMMATICALLY ON THE DRAWINGS. THE ACTUAL LOCATIONS IN THE FIELD SHALL MEET WITH APPROVAL OF THE ENGINEER.
4. THE ELECTRICAL WORK SHALL BE PERFORMED IN ACCORDANCE WITH THE IDOT STANDARD SPECIFICATIONS FOR ROAD AND BRIDGE CONSTRUCTION AND ASSOCIATED SUPPLEMENTAL CONDITIONS (LATEST EDITION).
5. THE SCALE SHOWN ON PLAN DRAWINGS APPLIES ONLY TO THE FULL SIZE PLANS AND NOT TO REDUCED SIZE PLANS.
6. THE CONTRACTOR SHALL FURNISH AND INSTALL LUMINAIRE LAMPS IN ACCORDANCE WITH THE SUPPLIER'S RECOMMENDATIONS AND IN ACCORDANCE WITH THE SPECIFICATIONS. THE COST OF THIS WORK AND MATERIAL SHALL BE INCLUDED IN THE APPLICABLE LUMINAIRE PAY ITEM. SEPARATE PAYMENT WILL NOT BE MADE.
7. ALL LUMINAIRES SHALL BE ORIENTED WITH THE OPTICS PERPENDICULAR TO THE ROADWAY UNLESS OTHERWISE INDICATED OR DIRECTED BY THE ENGINEER. THIS WORK SHALL BE CONSIDERED INCLUDED IN THE APPLICABLE LUMINAIRE PAY ITEMS. SEPARATE PAYMENT WILL NOT BE MADE.
8. CONDUITS AND UNIT DUCTS SHALL BE INSTALLED AT A MINIMUM 30" DEPTH BELOW GRADE AND POSITIONED IN THE FIELD TO AVOID CONFLICT WITH ROADWAY UNDERDRAINS AND OTHER EXISTING AND PROPOSED UTILITIES. THE CONTRACTOR SHALL INCREASE DEPTH OF UNIT DUCT AND CONDUIT AS REQUIRED AT NO ADDITIONAL COST TO THE STATE. THE CONTRACTOR SHALL COORDINATE RACEWAY DEPTH WITH THE ELECTRICAL DETAILS AND THE ENGINEER.
9. WHERE MULTIPLE CONDUITS ADJACENT TO EACH OTHER ARE INSTALLED IN A COMMON TRENCH, TRENCH AND BACKFILL WILL NOT BE PAID FOR EACH CONDUIT, BUT WILL BE PAID FOR THE LENGTH OF THE COMMON TRENCH ONLY.
10. WHERE THE CONTRACTOR'S EXCAVATION MEETS AN OBSTRUCTION, THE CONTRACTOR SHALL NOTIFY THE ENGINEER FOR DIRECTION IN WRITING PRIOR TO EXCAVATION. THE CONTRACTOR SHALL RESTORE ANY DAMAGE TO EXISTING SYSTEMS OR UTILITIES AND REMOVE EXISTING OBSTRUCTIONS AND FOUNDATIONS TO THE SATISFACTION OF THE ENGINEER. THIS WORK SHALL BE CONSIDERED INCIDENTAL TO THE APPROPRIATE PAY ITEM.
11. BREAKAWAY DEVICE, TRANSFORMER BASE, 9", SHALL BE INSTALLED ON ALL GROUND MOUNTED POLES WITH 15" BOLT CIRCLE ON 24" DIA. FOUNDATION AS SHOWN IN THE PLANS.

STANDARD DRAWINGS

- 701106-02 OFF-RD OPERATIONS, MULTILANE, MORE THAN 4.5 M (15') AWAY
- 701301-03 LANE CLOSURE, 2L, 2W, SHORT TIME OPERATIONS
- 701421-02 LANE CLOSURE, MULTILANE, DAY OPERATIONS ONLY, FOR SPEEDS ≥ 45 MPH TO 55 MPH
- 701606-06 URBAN LANE CLOSURE, MULTILANE, 2W WITH MOUNTABLE MEDIAN
- 701701-06 URBAN LANE CLOSURE, MULTILANE INTERSECTION
- 701801-04 LANE CLOSURE, MULTILANE, 1W OR 2W CROSSWALK OR SIDEWALK CLOSURE
- 701901-01 TRAFFIC CONTROL DEVICES

FILE NAME =	USER NAME = _M ELSHOLI_	DESIGNED - MAE	REVISED -	STATE OF ILLINOIS DEPARTMENT OF TRANSPORTATION	LIGHTING LEGEND & GENERAL NOTES	F.A. RTE.	SECTION	COUNTY	TOTAL SHEETS	SHEET NO.	
...	...	DRAWN - MAA	REVISED -			353	09-00029-00-LT	WILL	13	2	
PLOT SCALE = NONE		CHECKED - MGK/PKG	REVISED -			CONTRACT NO. 63250					
PLOT DATE = 6/29/2009		DATE - JULY 1, 2009	REVISED -			FED. ROAD DIST. NO. ILLINOIS/FAP 353/US 30 (LINCOLN HIGHWAY)					