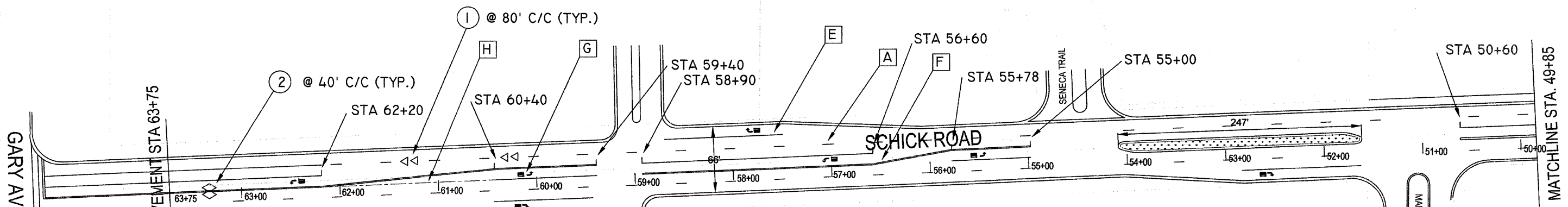
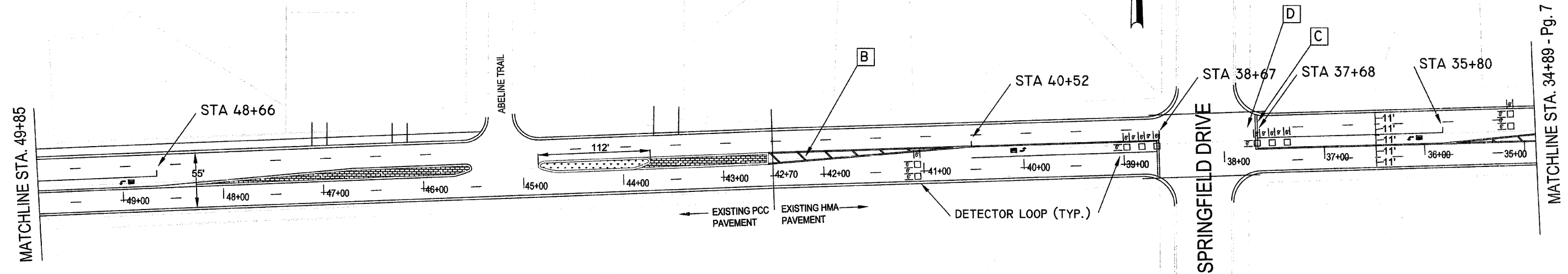


FAU RTE 1369	SECTION	COUNTY	TOTAL SHEETS	SHEET NO.
SCHICK RD.	09-00057-00-RS	DUPAGE	15	8
F.H.W.A. REG. ILLINOIS	PROJECT NO. ARA-9003(440)			

CONTRACT NO. 63252



- ① ◁ RECESSED PAVEMENT MARKER - CRYSTAL, I-WAY (TYP.)
- ② ◇ RECESSED PAVEMENT MARKER - AMBER, 2-WAY (TYP.)

THERMOPLASTIC STRIPING LEGEND

- A** SOLID WHITE THERMOPLASTIC PAVEMENT MARKING - LINE 4" (SKIP DASH - 10' @ 30' SPACING) TYP.
- B** SOLID YELLOW THERMOPLASTIC PAVEMENT MARKING - LINE 12" (CROSS HATCH - 45 DEG. @ 20' C-C) TYP.
- C** SOLID WHITE THERMOPLASTIC PAVEMENT MARKING - LINE 24" (STOP BAR) TYP.
- D** SOLID WHITE THERMOPLASTIC PAVEMENT MARKING - LINE 6" (CROSSWALK, 2 @ 6' SPACING) TYP.
- E** SOLID WHITE THERMOPLASTIC PAVEMENT MARKING - LINE 6" (LANE LINE) TYP.
- F** DOUBLE SOLID YELLOW THERMOPLASTIC PAVEMENT MARKING - LINE 4" (CENTERLINE - 2 @ 11" C-C) TYP.
- G** SOLID WHITE THERMOPLASTIC PAVEMENT MARKING - LETTERS AND SYMBOLS
- H** SOLID WHITE THERMOPLASTIC PAVEMENT MARKING - LINE 6" (DOTTED LINE - 2' @ 4' SPACING)