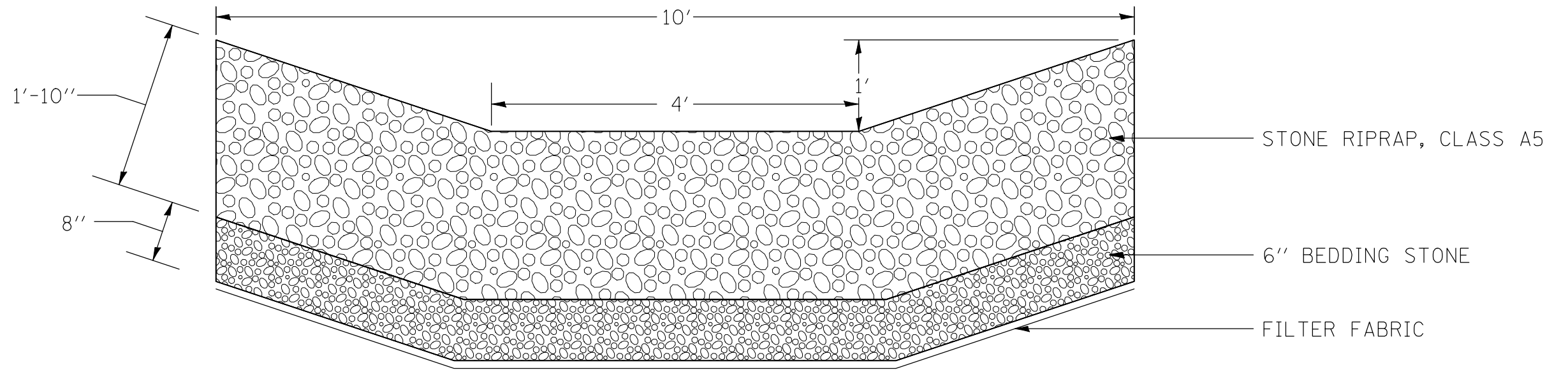
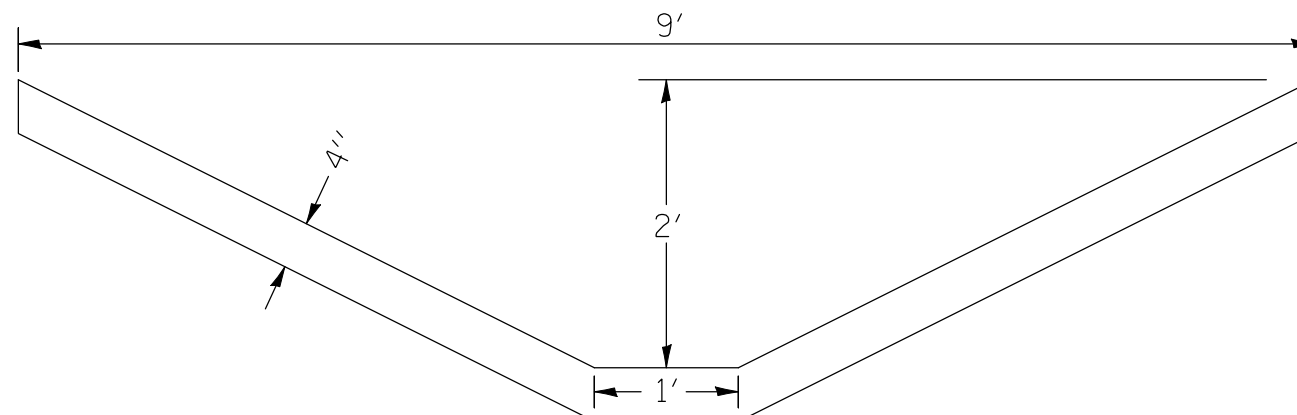


**PROPOSED STONE RIPRAP, CLASS A5 DITCH  
CROSS SECTION**



**EXISTING PAVED DITCH  
CROSS SECTION**



\* D5 SCOUR MITIGATION 2009-3  
\*\* CHAMPAIGN & VERMILION

FILE NAME =	USER NAME = s1msgm	DESIGNED - BJH	REVISED -
ct:\pwork\pwidot\simsgm\d0120266\d570770-plan.dgn		DRAWN - GMS	REVISED -
	PLOT SCALE = 40.0000' / IN.	CHECKED -	REVISED -
	PLOT DATE = 3/18/2009	DATE -	REVISED -

**STATE OF ILLINOIS  
DEPARTMENT OF TRANSPORTATION**

**RIPRAP DETAILS  
DITCH ARMORING**

SCALE: SHEET NO. OF SHEETS STA. TO STA.

F.A. RTE.	SECTION	COUNTY	TOTAL SHEETS	SHEET NO.
VAR.	*	**	22	22
FED. ROAD DIST. NO. ILLINOIS FED. AID PROJECT			CONTRACT NO. 70770	