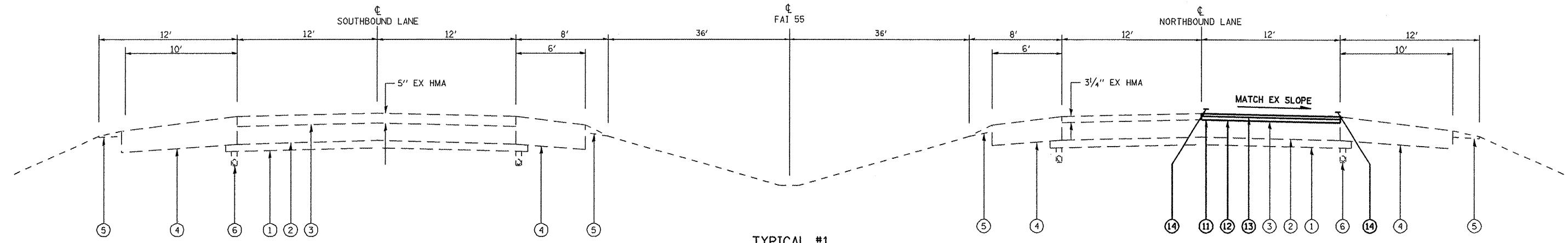


F.A.I. RTE.	SECTION	COUNTY	TOTAL SHEETS	SHEET NO.
55	*	MACOUPIN	8	4
STA.		TO STA.		
FED. ROAD DIST. NO.	ILLINOIS	FED. AID PROJECT		

• D6 INTERMITTENT RS 2010



TYPICAL #1
FAI - 55

NB STA 614+00 TO STA 635+00
NB STA 645+00 TO STA 664+00

EXISTING LEGEND

- ① EX GRANULAR MATERIAL 4"
- ② EX CRPCC 9"
- ③ EX HOT-MIX ASPHALT SURFACE COURSE (VARIES 3/4" TO 5")
- ④ EX HOT-MIX ASPHALT SHOULDERS (THICKNESS VARIES)
- ⑤ EX AGGREGATE SHOULDERS
- ⑥ EX PIPE UNDERDRAINS 4"

PROPOSED LEGEND

- ⑪ PR HOT-MIX ASPHALT SURFACE REMOVAL 3/4"
- ⑫ PR POLYMERIZED HOT-MIX ASPHALT LEVELING BINDER (MACHINE METHOD), N105 1 3/4"
- ⑬ PR POLYMERIZED HOT-MIX ASPHALT SURF CSE, MIX "E" N105 1 1/2"
- ⑭ PR URETHANE PAVEMENT MARKING - LINE 5"

REVISIONS	
NAME	DATE

ILLINOIS DEPARTMENT OF TRANSPORTATION

TYPICAL SECTIONS

FAI 55
SECTION D6 INTERMITTENT RS 2010
MACOUPIN COUNTY

SCALE: NOT DRAWN TO SCALE

DATE

DRAWN BY

CHECKED BY