

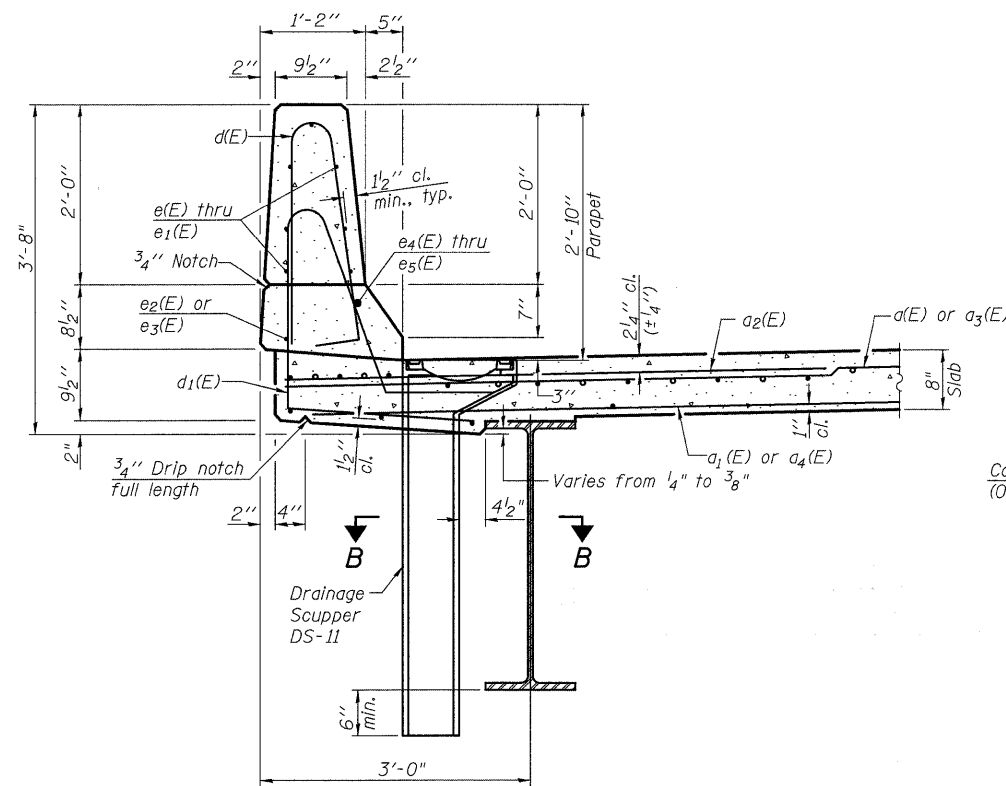
MINIMUM BAR LAP
(Parapet)

#4 bar = 1'-4"
#8 bar = 3'-5"

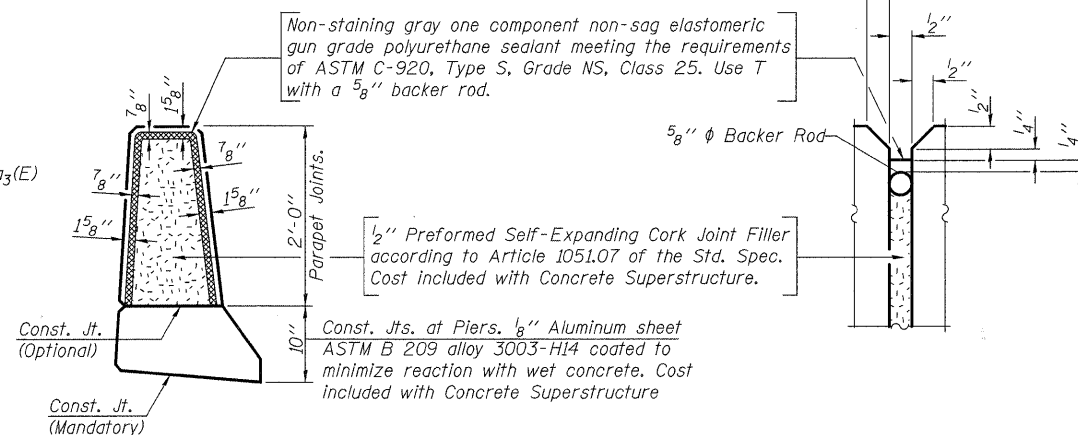
SUPERSTRUCTURE BILL OF MATERIAL

Bar	No.	Size	Length	Shape
a(E)	192	#5	15'-7"	—
a ₁ (E)	135	#5	15'-1"	—
a ₂ (E)	384	#6	6'-0"	—
a ₃ (E)	192	#5	18'-7"	—
a ₄ (E)	135	#5	18'-1"	—
a ₅ (E)	16	#5	1'-6"	—
b(E)	117	#5	23'-8"	—
b ₁ (E)	70	#6	26'-6"	—
b ₂ (E)	128	#5	29'-2"	—
d(E)	246	#5	5'-7"	⌋
d ₁ (E)	246	#5	7'-10"	⌋
e(E)	56	#4	16'-11"	—
e ₁ (E)	42	#4	14'-0"	—
e ₂ (E)	8	#4	17'-9"	—
e ₃ (E)	4	#4	22'-1"	—
e ₄ (E)	4	#8	34'-1"	—
e ₅ (E)	2	#8	42'-10"	—
m(E)	4	#6	14'-10"	—
m ₁ (E)	6	#6	15'-9"	—
m ₂ (E)	24	#6	8'-3"	—
m ₃ (E)	8	#6	5'-5"	—
m ₄ (E)	4	#6	2'-8"	—
m ₅ (E)	4	#6	17'-10"	—
m ₆ (E)	6	#6	18'-9"	—
m ₇ (E)	2	#6	4'-1"	—
s(E)	72	#5	5'-5"	⌋
s ₁ (E)	62	#4	8'-6"	⌋
v(E)	70	#5	3'-4"	⌋
Reinforcement Bars, Epoxy Coated		Pound	33770	
Concrete Superstructure		Cu. Yds.	145.2	
Bar Splicers		Each	409	

INSIDE ELEVATION OF PARAPET



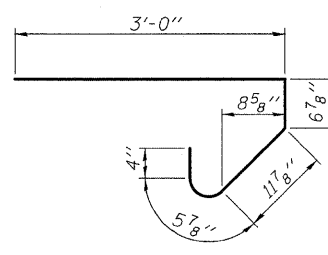
SECTION THRU PARAPET



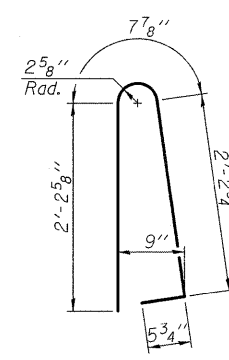
PARAPET JOINT DETAILS

BAR s₁(E)

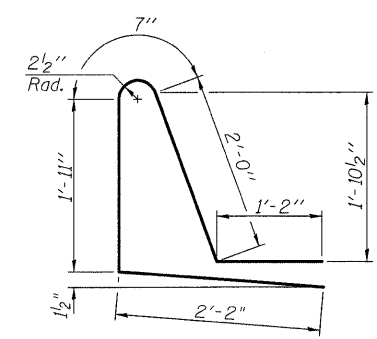
BAR v(E)



BAR s(E)



BAR d(E)



BAR d₁(E)

SUPERSTRUCTURE DETAILS
IL 15 OVER UNION DRAINAGE
DITCH OVERFLOW
WAYNE COUNTY
STATION 295+41.00
STRUCTURE NO. 096-0072

Bars indicated thus 1 x 2 -#4 etc. indicates 1 line of bars with 2 lengths per line.

SHEET NO. 9	F.A.P. RTE.	SECTION	COUNTY	TOTAL SHEETS	SHEET NO.
	823	(22BY2) B-1	WAYNE	142	46
23 SHEETS	CONTRACT NO. 74238				
FED. ROAD DIST. NO.		ILLINOIS	FED. AID PROJECT		