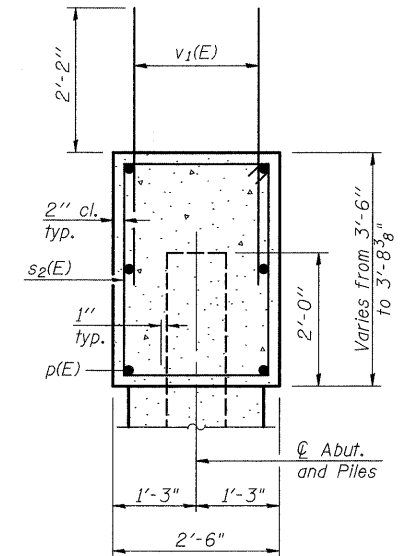
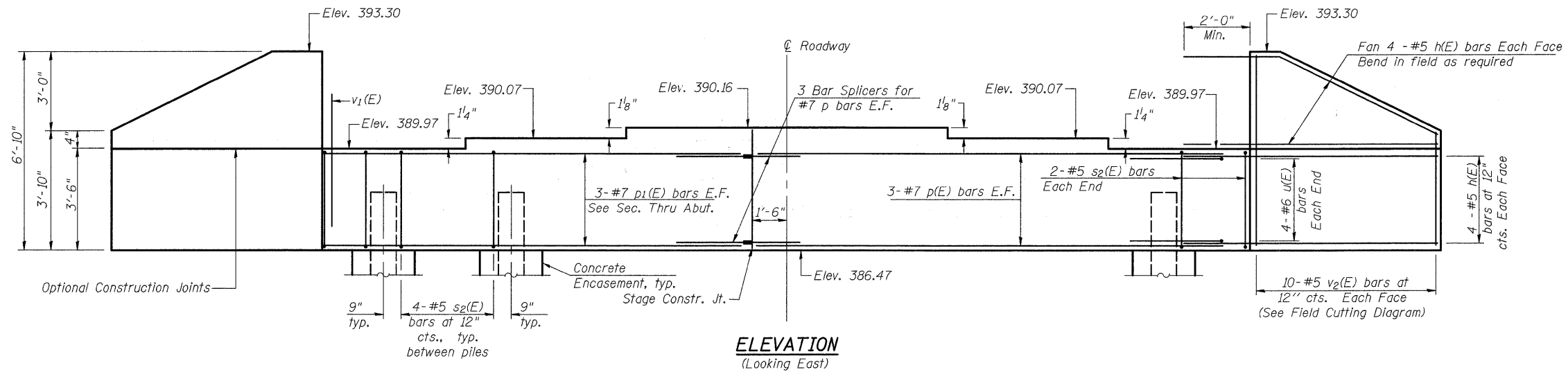


Notes: Pour steps monolithically with cap.

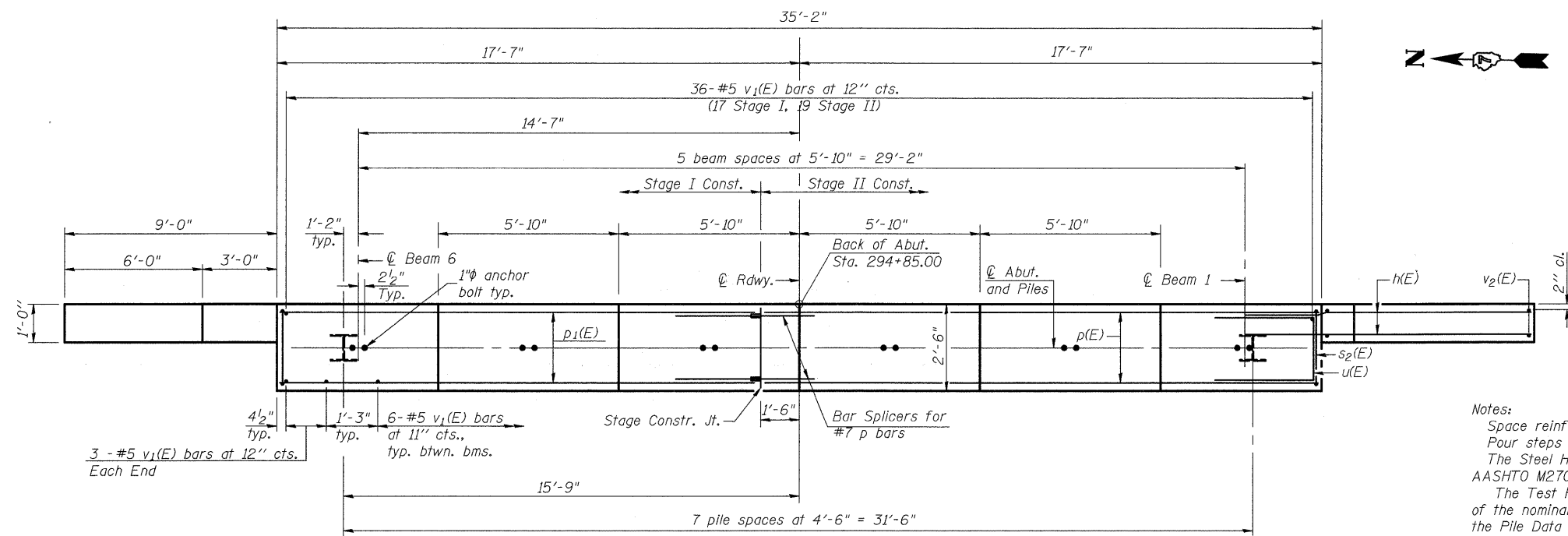


SEC. THRU ABUT.

BILL OF MATERIAL

Bar	No.	Size	Length	Shape
h(E)	32	#5	10'-10"	—
p(E)	6	#7	18'-9"	—
p1(E)	6	#7	15'-9"	—
s2(E)	32	#5	11'-7"	□
u(E)	8	#6	10'-1"	□
v1(E)	72	#5	4'-4"	—
v2(E)	20	#5	10'-0"	—
Structure Excavation		Cu. Yd.	108	
Concrete Structures		Cu. Yd.	15.5	
Reinforcement Bars, Epoxy Coated		Pound	1990	
Furnishing Steel Piles, HP 14x73		Foot	434	
Driving Piles		Foot	434	
Test Pile, HP 14x73		Each	1	
Concrete Encasement		Cu. Yd.	4.4	
Bar Splicers		Each	6	

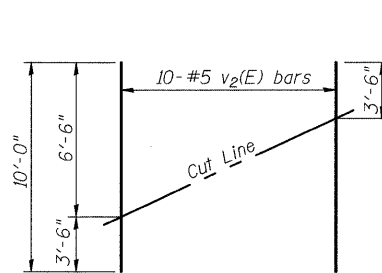
Notes:
 Space reinforcement in cap to miss anchor bolts.
 Pour steps monolithically with cap.
 The Steel H Piles shall be according to AASHTO M270 Grade 50.
 The Test Pile shall be driven to 110 percent of the nominal required bearing indicated in the Pile Data information.
 For details of piles and Concrete Encasement, see sheet 19 of 23.



PLAN

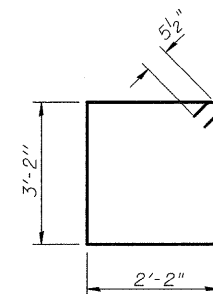
PILE DATA

Type: Steel HP 14x73
 Nominal Required Bearing: 578k
 Factored Resistance Available: 133k
 Est. Length: 62 ft.
 No. Production Piles: 7
 No. Test Piles: 1

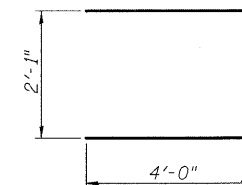


FIELD CUTTING DIAGRAM

Order v2(E) full length. Cut as shown and use remainder of bars in opposite face.



BAR s2(E)



BAR u(E)

EAST ABUTMENT
IL 15 OVER UNION DRAINAGE
DITCH OVERFLOW
WAYNE COUNTY
STATION 295+41.00
STRUCTURE NO. 096-0072

SHEET NO. 14	F.A.P. RTE.	SECTION	COUNTY	TOTAL SHEETS	SHEET NO.
	823	(22BY2) B-1	WAYNE	142	51
23 SHEETS	CONTRACT NO. 74238				
FED. ROAD DIST. NO.		ILLINOIS	FED. AID PROJECT		