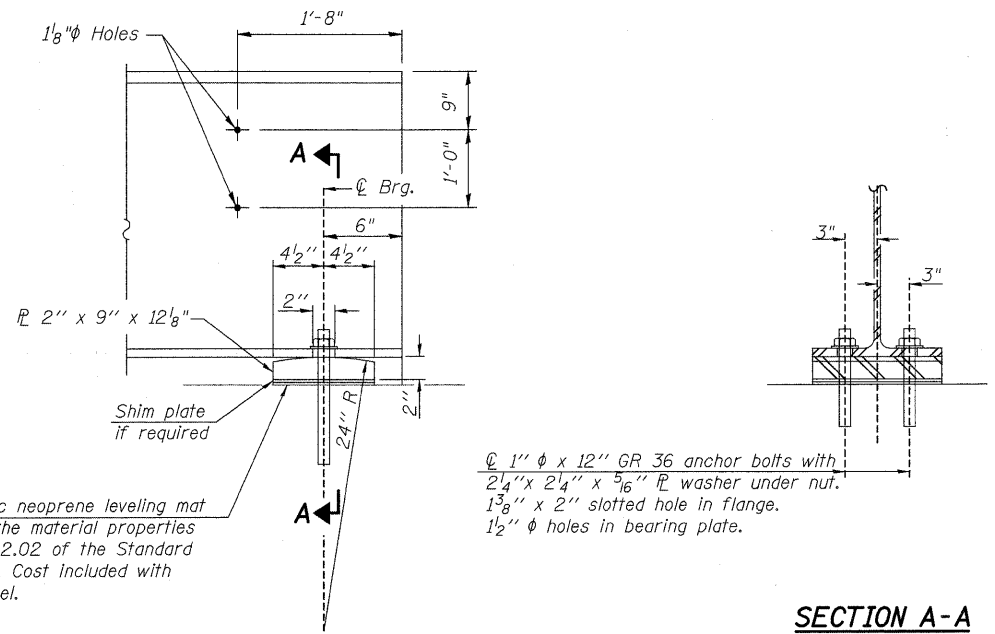


INTERIOR DIAPHRAGM D AND D1
 (12 Required D)
 (3 Required D1)

Note:
 Two hardened washers required for each set of oversized holes.
 Two 3x3x5/16" plate washers are required for each slotted hole.
 * Alternate C15x50 channels are permitted to facilitate material acquisition. Calculated weight of structural steel is based on the lighter section. The alternate, if utilized, shall be provided at no extra cost to the Department.
 ** D-3/4" ϕ HS bolts, 15/16" ϕ holes (Beam), 15/16" ϕ holes (Angles)
 D1-3/4" ϕ HS bolts, 15/16" ϕ holes (Beam), 13/16" x 17/8" slotted holes (Angles/Each End) Bolts at slots shall be finger tight until the second stage pour is complete, then fully tightened. Position and install angles on diaphragm to allow both sides of diaphragm bolts to slip under deck pour.



1/8" elastomeric neoprene leveling mat according to the material properties of Article 1052.02 of the Standard Specifications. Cost included with Structural Steel.

ϕ 1" ϕ x 12" GR 36 anchor bolts with 2 1/4" x 2 1/4" x 5/16" ϕ washer under nut. 1 3/8" x 2" slotted hole in flange. 1 1/2" ϕ holes in bearing plate.

ELEVATION AT ABUTMENT
FIXED BEARING

Notes:
 Anchor bolts shall be ASTM F1554 all-thread (or an Engineer-approved alternate material) of the grade(s) and diameter(s) specified. ASTM A307 Grade C anchor bolts may be used in lieu of ASTM F1554 Grade 36 (Fy=36ksi). The corresponding specified grade of AASHTO M314 anchor bolts may be used in lieu of ASTM F1554.
 Anchor bolts at fixed bearings may be either cast in place or installed in holes drilled after the supported member is in place.
 Drilled and set anchor bolts shall be installed according to Article 521.06 of the Standard Specifications.
 One 1/8 in. shim shall be provided for each bearing at beam line 5.
 One 1/4 in. shim shall be provided for each bearing at beam line 4.

STRUCTURAL STEEL DETAILS
IL 15 OVER UNION
DRAINAGE DITCH
WAYNE COUNTY
STATION 301+65.00
STRUCTURE NO. 096-0071

SHEET NO. 12 20 SHEETS	F.A.P. RTE. 823	SECTION (22BY-1) B-1	COUNTY WAYNE	TOTAL SHEETS 142	SHEET NO. 72
	CONTRACT NO. 74238				
FED. ROAD DIST. NO.		ILLINOIS	FED. AID PROJECT		