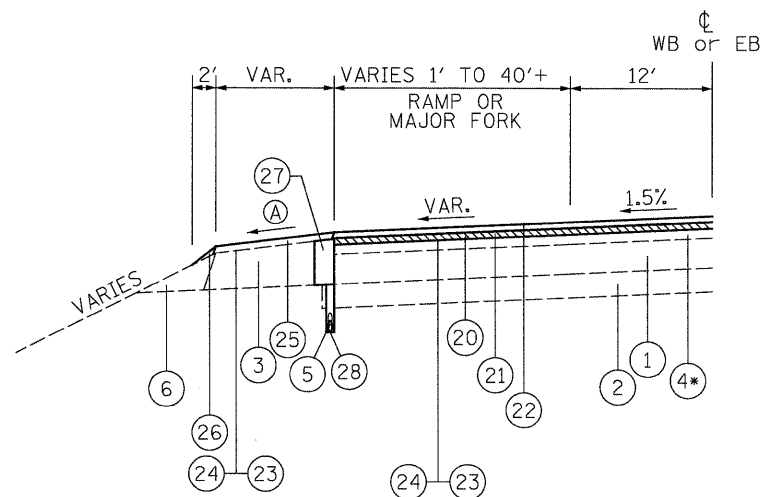


**RAMP TYPICAL SECTION
FAI 70 WB & RAMP G4**

STA. 889+33 TO STA. 901+06 FAI 70 WB * 4 3/4"



**RAMP TERMINAL TYPICAL SECTION
(IL. 162 AND 3I INTERCHANGE)**

RAMP 1, 2, 3, & 4 @ IL. 162 * 4 3/4"
FAI 70 WB, FAI 70 EB @ 3I INTERCHANGE * 4 3/4"
RAMP G1, G3, G6 & G7 @ 3I INTERCHANGE * 4 3/4"

(A) SHOULDER SLOPE
RANGE FROM 2% TO 6%
DESIRABLE 4%

LEGEND

- ① EXISTING P.C.C. PAVEMENT 10"
- ② EXISTING SUB-BASE GRANULAR MATERIAL, TYPE A 8"
- ③ EXISTING BITUMINOUS SHOULDER 12"±
- ④ EXISTING BITUMINOUS SURFACE COURSE 5 1/4"
- ⑤ EXISTING PIPE UNDERDRAINS
- ⑥ EXISTING AGGREGATE SHOULDERS
- ⑦ EXISTING HIGH TENSION CABLE MEDIAN BARRIER & HOT-MIX ASPHALT SHOULDER, 4" (4' WIDE)
- ⑧ EXISTING BITUMINOUS CONCRETE PAVEMENT (FULL DEPTH), TYPE 1 20 1/2"
- ⑨ EXISTING LIME MODIFIED SOIL, 12"
- ⑩ EXISTING BITUMINOUS SHOULDER 8"
- ⑪ EXISTING BITUMINOUS CONCRETE PAVEMENT (FULL DEPTH), TYPE 1 15 1/2"
- ⑫ EXISTING BITUMINOUS CONCRETE PAVEMENT (FULL DEPTH), TYPE 2 13 1/2"
- ⑬ EXISTING COMBINATION CONCRETE CURB AND GUTTER TYPE M-4.12
- ⑭ EXISTING CONCRETE MEDIAN SURFACE, 4"
- ⑯ PROPOSED HOT-MIX ASPHALT SURFACE REMOVAL, 2 1/4"
- ⑰ PROPOSED POLYMERIZED HOT-MIX ASPHALT BINDER COURSE, IL-19.0, N90 - (2 1/4")
- ⑱ PROPOSED POLYMERIZED HOT-MIX ASPHALT SURFACE COURSE, STONE MATRIX ASPHALT, N80 - (2")
- ⑲ PROPOSED BITUMINOUS MATERIALS (PRIMECOAT)
- ⑳ PROPOSED AGGREGATE (PRIMECOAT)
- ㉑ PROPOSED HOT-MIX ASPHALT SHOULDERS (2")
- ㉒ PROPOSED AGGREGATE SHOULDER, TYPE B
- ㉓ PROPOSED SHOULDER REMOVAL AND REPLACEMENT 12"
- ㉔ PROPOSED PIPE UNDERDRAIN 4"
- ㉕ PROPOSED SHOULDER REMOVAL AND REPLACEMENT 8"
- ㉖ PROPOSED HOT-MIX ASPHALT SURFACE REMOVAL, 1"
- ㉗ PROPOSED LEVELING BINDER (MACHINE METHOD), IL-9.5FG, N90 (1")
- ㉘ NOT USED
- ㉙ PROPOSED HOT-MIX ASPHALT SURFACE REMOVAL, 3"

FILE NAME =	USER NAME = SJS	DESIGNED -	REVISED -	STATE OF ILLINOIS DEPARTMENT OF TRANSPORTATION	TYPICAL SECTIONS				F.A.I. RTE.	SECTION	COUNTY	TOTAL SHEETS	SHEET NO.
... \D876A73-aht-typico1.dgn	PLOT SCALE = 8.0000' / IN.	DRAWN -	REVISED -		TO	*	MADISON	150	16				
Johnson, Depp & Quisenberry CONSULTING ENGINEERS Springfield, Illinois	PLOT DATE = 05/12/2009 09:16:44	CHECKED -	REVISED -		SCALE: SHEET NO. OF SHEETS STA. TO STA.				CONTRACT NO. 76A73				
		DATE -	REVISED -		FED. ROAD DIST. NO.		ILLINOIS FED. AID PROJECT						

• 60-(7,8,9,10)RS, 60-(8,9,10)BR