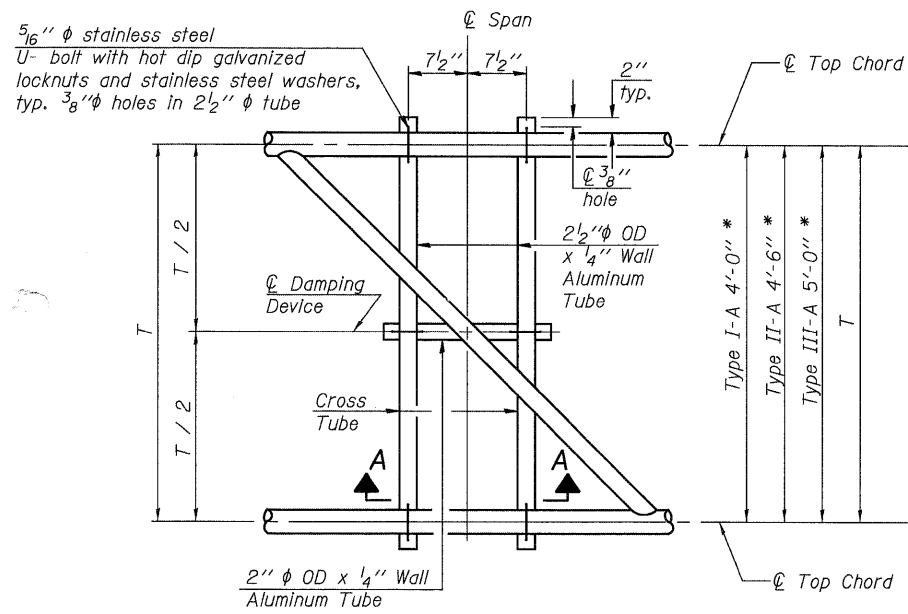
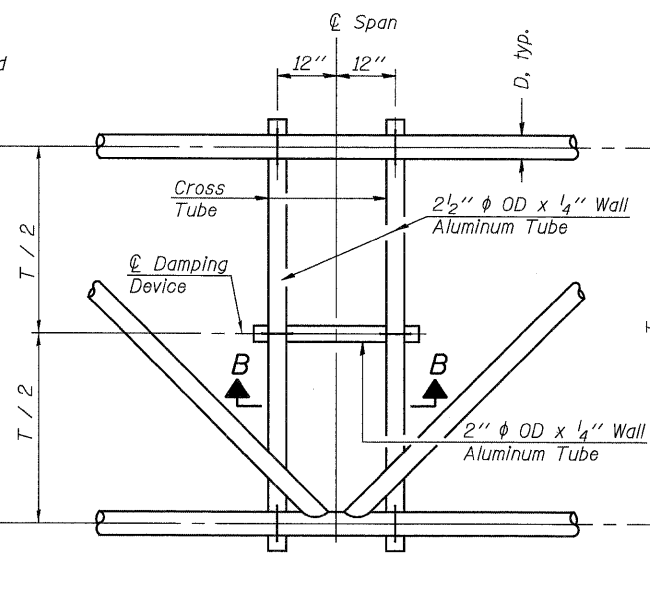


STATE OF ILLINOIS  
DEPARTMENT OF TRANSPORTATION

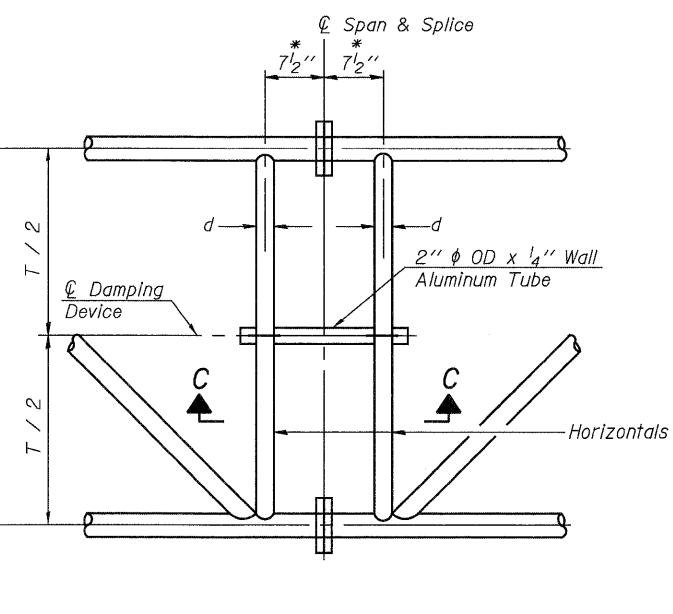
\* Center of horizontal to center of splice dimension may vary. Verify before drilling holes in mounting tube.



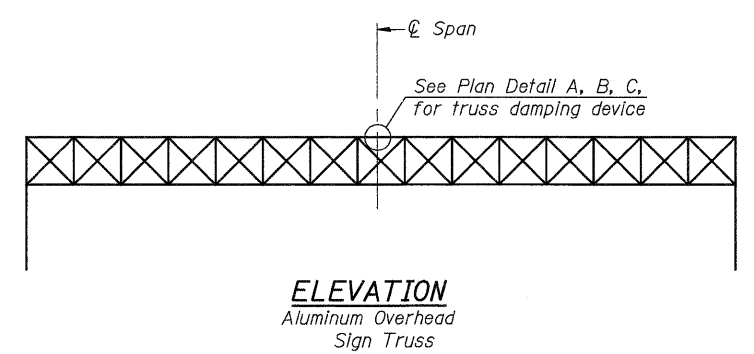
**PLAN DETAIL "A"**  
Span between Panel Points



**PLAN DETAIL "B"**  
Span at Panel Point



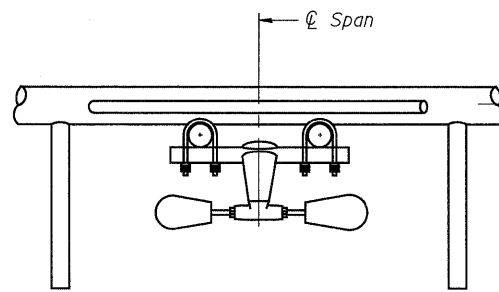
**PLAN DETAIL "C"**  
Span at Chord Splice



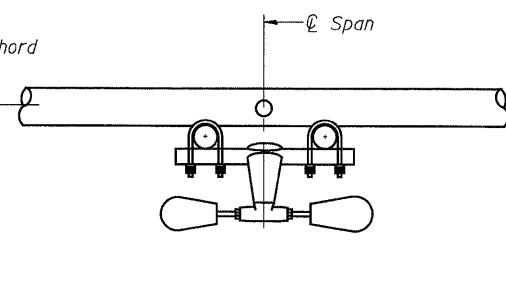
**ELEVATION**  
Aluminum Overhead Sign Truss

**NOTES**

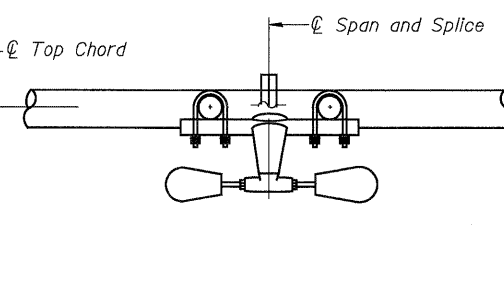
- Damper:** One damper per truss. (31 lbs. minimum Stockbridge-Type Aluminum - 29" minimum between ends of weights) Cost included in Overhead Sign Structure...
- Materials:** Materials: Aluminum tubes shall be ASTM B221 alloy 6061 temper T6. Cost included in Overhead Sign Structure...



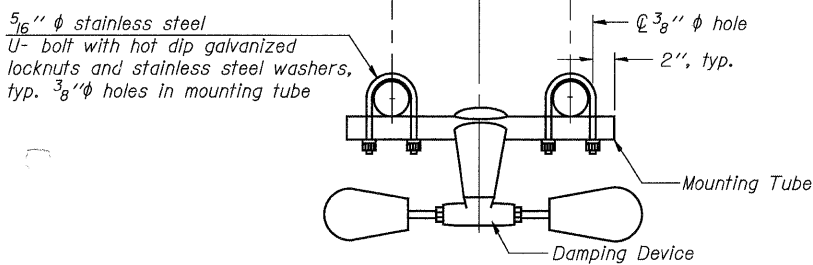
**SECTION A-A**



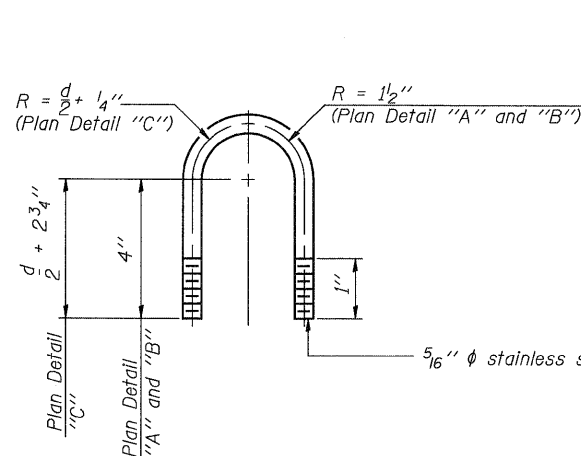
**SECTION B-B**



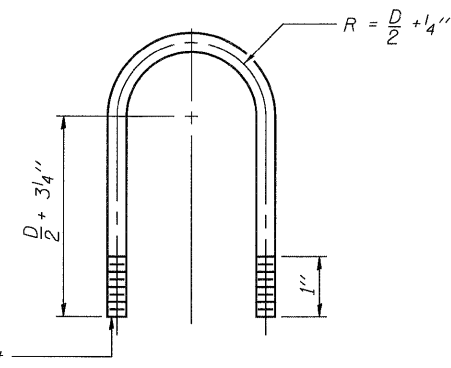
**SECTION C-C**



**TRUSS DAMPING  
DEVICE CONNECTION DETAIL**  
(Typical)



**DAMPING DEVICE MOUNTING  
TUBE U-BOLT DETAIL**  
(Typical)



**TOP CHORD TO CROSS TUBE  
U-BOLT DETAIL**  
(Typical - Detail "A" and "B")

**JD** Johnson, Depp & Quisenberry  
CONSULTING ENGINEERS  
Springfield, Illinois

DESIGNED: JDQ	DRAWN: SJS/PTR
CHECKED: DCD	CHECKED: DCD

OS-A-D

12-1-08

**OVERHEAD SIGN STRUCTURE  
DAMPING DEVICE**

SHEET 4 OF 11	F.A.I. RTE.	SECTION	COUNTY	TOTAL SHEETS	SHEET NO.
	70	60-(8,9,10)BR	MADISON	150	112
FED. ROAD DIST. NO.			ILLINOIS FED. AID PROJECT	CONTRACT NO. 76A73	