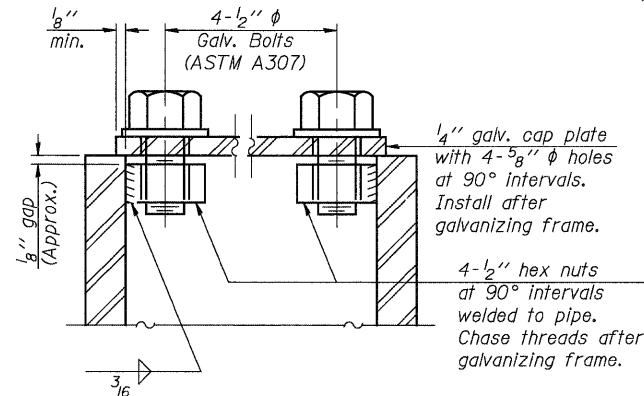
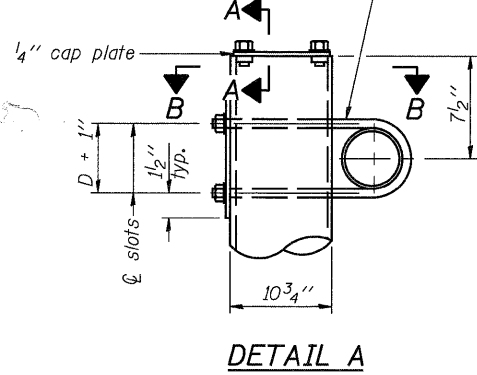
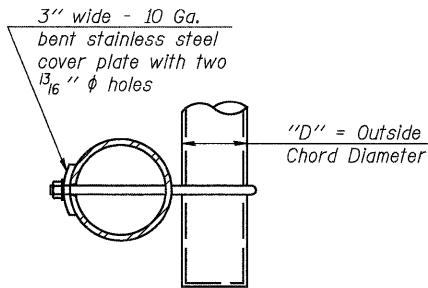


STATE OF ILLINOIS
DEPARTMENT OF TRANSPORTATION

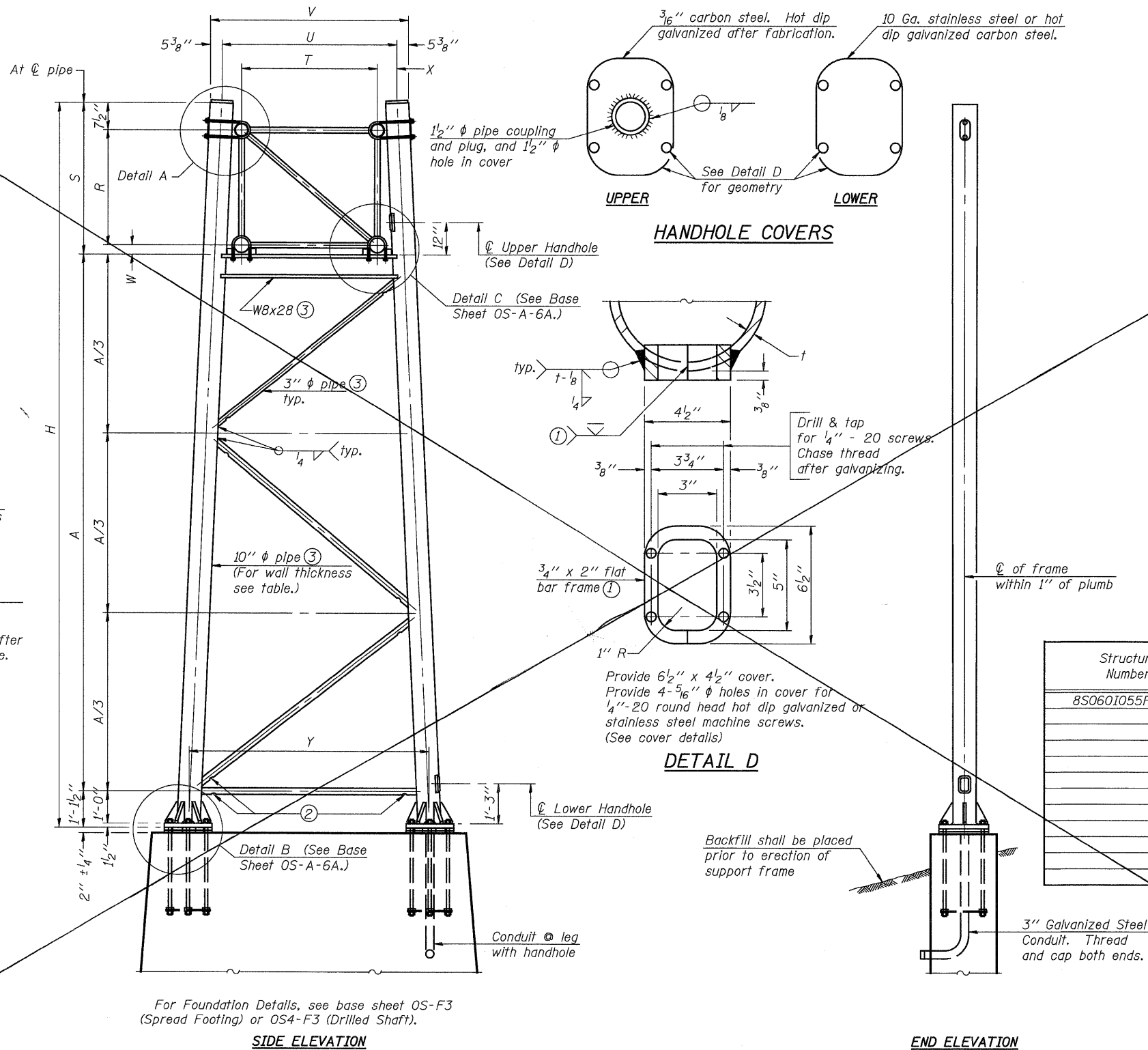
$3/4$ " ϕ stainless steel U-bolt.
Provide two washers and two hexagon locknuts. (4)
 $13/16$ " x 2" slots on ϕ 10" ϕ pipe.
(4 slots required per pipe)



SECTION A-A
As an alternate to bolts, may use galvanized drive-fit caps installed after galvanizing frame.



SECTION B-B



10" ϕ PIPE TRUSS SUPPORT FRAME

Truss Type	Dimensions							
	R	S	T	U	V	W	X	Y
I-A	4'-6"	5'-5 1/2"	4'-0"	5'-6"	6'-4 3/4"	4"	9"	8'-3"
II-A (5)	5'-3"	6'-3 1/4"	4'-6"	6'-1"	6'-11 3/4"	4 3/4"	9 1/2"	8'-3"

Support Design Loads: See Base Sheet OS-A-1 for design and loading criteria.
Load combinations checked include deadload plus:
a) 100% wind normal to sign, 20% parallel to sign
b) 60% wind normal to sign, 30% parallel to sign

- 1 In lieu of fabricated handhole frame as shown, may cut from 2" plate (falling direction vertical). All cut faces to be ground to ANSI Roughness of 500 min or less.
- 2 Galvanizing vent holes of adequate size shall be provided on underside at each end of bracing pipes. Alternately, holes may be provided in wall of pipe column. All vent holes shall be drilled and de-burred, typ.
- 3 Steel pipe, plate, carbon steel handhole covers and rolled sections shall be hot dip galvanized after fabrication. Painting is not permitted. See Base Sheet OS-A-1.
- 4 See General Notes for fasteners.
- 5 Dimensions shown are based on selection criteria in the Sign Structures Manual. Nonstandard applications must have dimensions verified or amended as appropriate.
- 6 "H" based on 15'-0" or actual sign height, whichever is greater.

Structure Number	Station	Support		Truss Type	Pipe Wall Thickness	H (6)	A
		Left	Right				
BS0601055R017.8	1363+75	Left	Right	I-A	0.279"	28'-1"	21'-6"

Johnson, Depp & Quisenberry
CONSULTING ENGINEERS
Springfield, Illinois

DESIGNED: JDQ DRAWN: SJS/PTR
CHECKED: DCD CHECKED: DCD

OS-A-6 12-1-08

NUMBER	REVISION	DATE

**OVERHEAD SIGN STRUCTURES
SUPPORT FRAME FOR ALUMINUM TRUSS**

SHEET 5 OF 11	F.A.I. R.T.E. TO	SECTION 60-18,9,10BR	COUNTY MADISON	TOTAL SHEETS 150	SHEET NO. 113
	FED. ROAD DIST. NO. [ILLINOIS] FED. AID PROJECT			CONTRACT NO. 76A73	