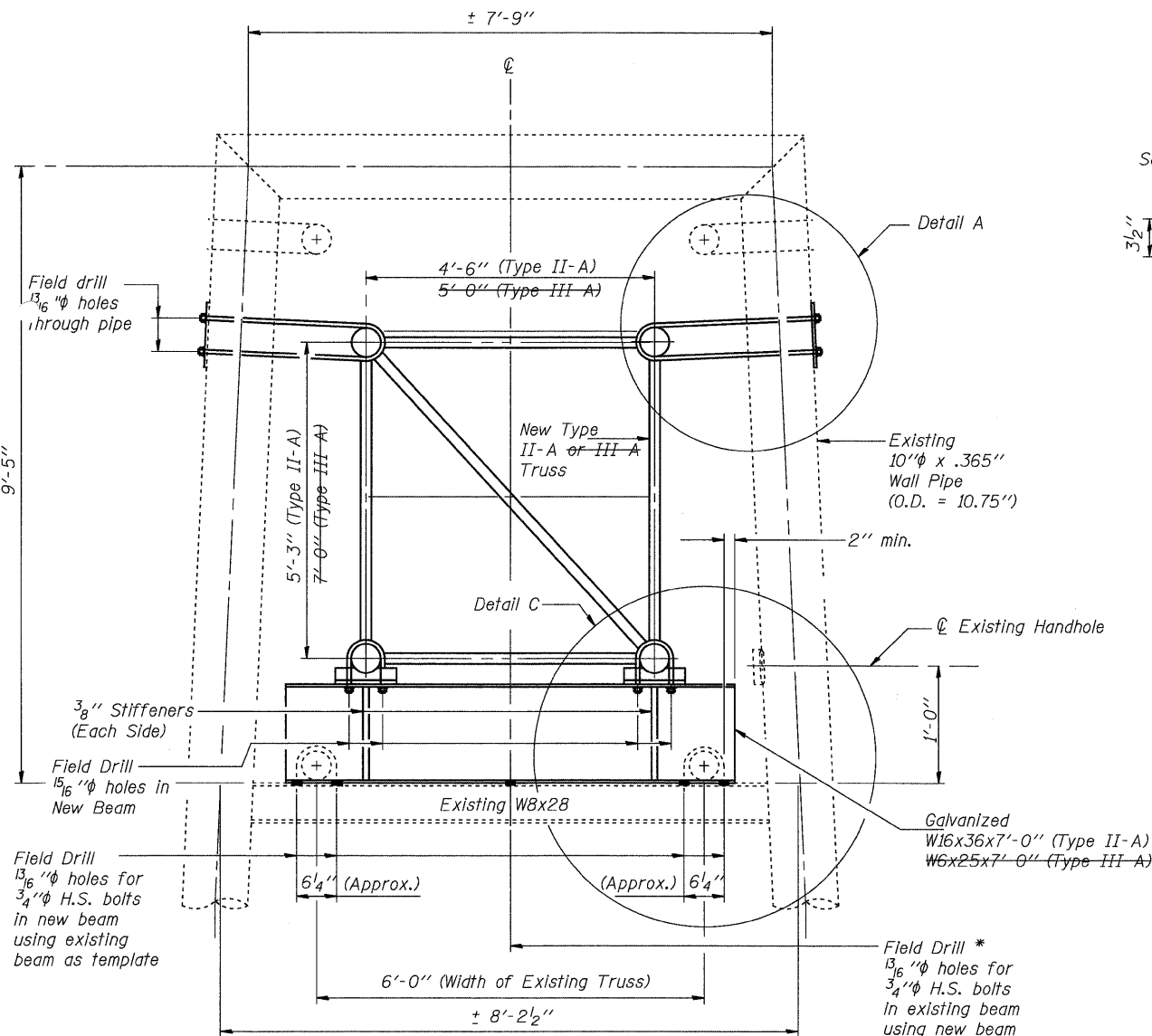
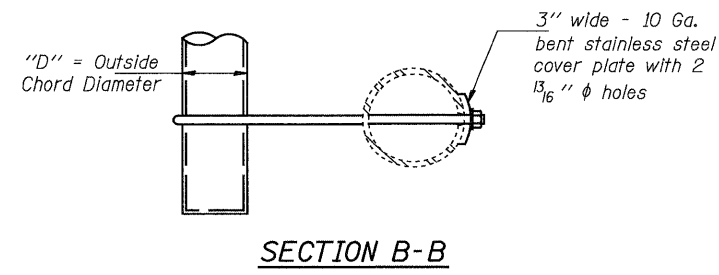


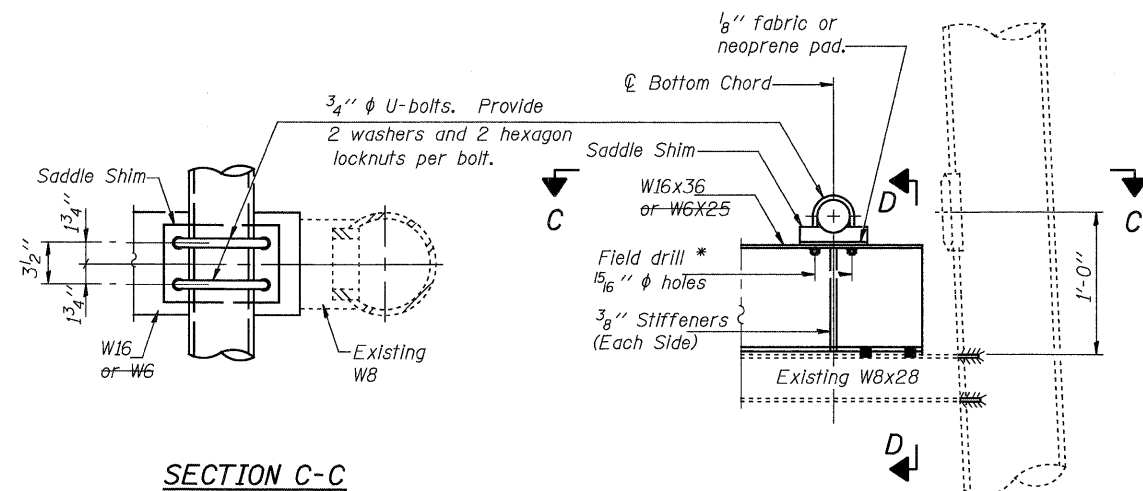
STATE OF ILLINOIS
DEPARTMENT OF TRANSPORTATION



SIDE VIEW
OVERHEAD SIGN STRUCTURE
END SUPPORT RETROFIT
APPLIES TO STRUCTURE:
8S060I055R016.4 at Sta. 803+00

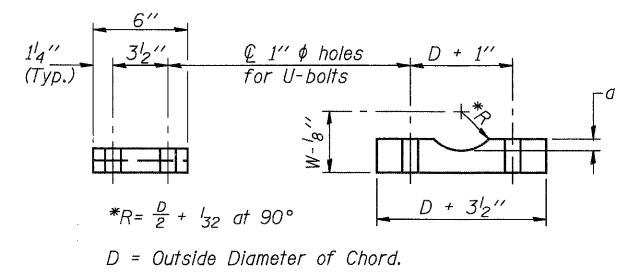


SECTION B-B



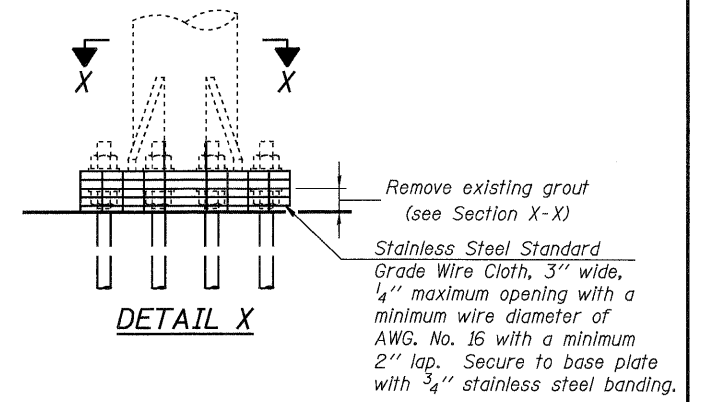
SECTION C-C

DETAIL C

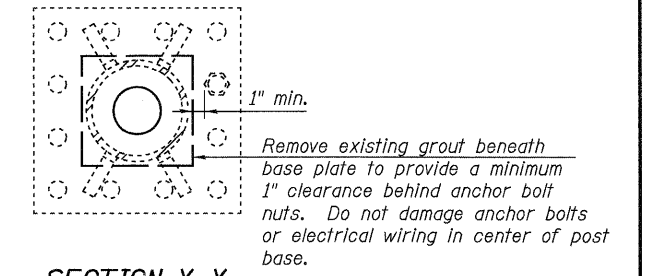


SADDLE SHIM DETAIL
ASTM B26 Alloy 356-F
or
ASTM B209 Alloy 6061-T651
(4 required per sign truss)

Truss Chord Nominal Dia.	a	W
5 1/2"	1 3/16"	4 3/4"
6"	7/8"	4 3/4"
6 1/2"	1 5/16"	4 3/4"
7"	1"	5 1/2"
8 1/2"	1 1/4"	5 1/2"
9"	1 3/8"	5 1/2"



DETAIL X

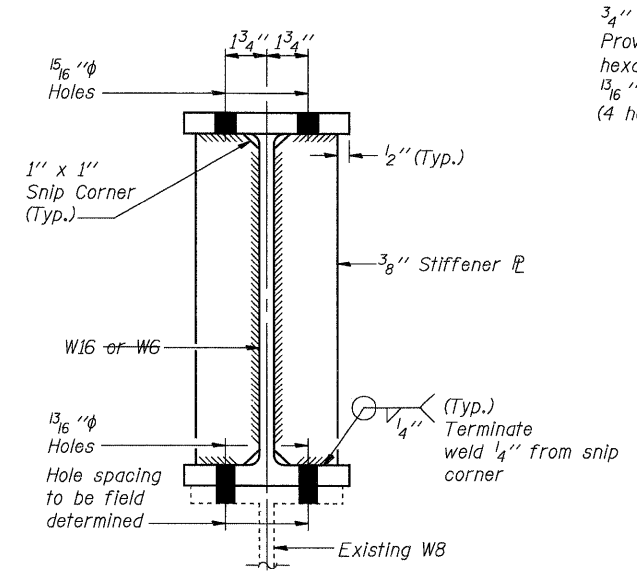


SECTION X-X

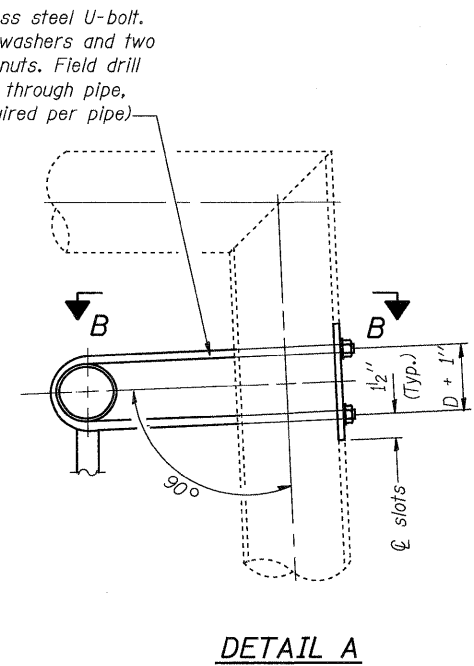
CANTILEVER SIGN STRUCTURE
BASE PLATE RETROFIT

APPLIES TO STRUCTURES:
8C060I055R014.5 at Sta. 706+00
8C060I055L014.5 at Sta. 710+00

Note: Cost of base plate retrofit shall be included with "Overhead Sign Structure Span Type I-A".



SECTION D-D



DETAIL A

EXISTING SIGN STRUCTURE
RETROFITS

JD Johnson, Depp & Quisenberry
CONSULTING ENGINEERS
Springfield, Illinois

DESIGNED: JDQ	DRAWN: SJS/PTR
CHECKED: DCD	CHECKED: DCD

SHEET 11 OF 11	F.A.I. RTE.	SECTION	COUNTY	TOTAL SHEETS	SHEET NO.
	70	60-(8,9,10)BR	MADISON	150	119
FED. ROAD DIST. NO.		ILLINOIS FED. AID PROJECT		CONTRACT NO. 76A73	

FILE: M:\projects\10166 IL-08VW\1-70 Resurfacing\7-SignStructures\76A73-01-signtruss-span.dgn
 DATE: 06/11/2009 16:45:52
 USER: SJS