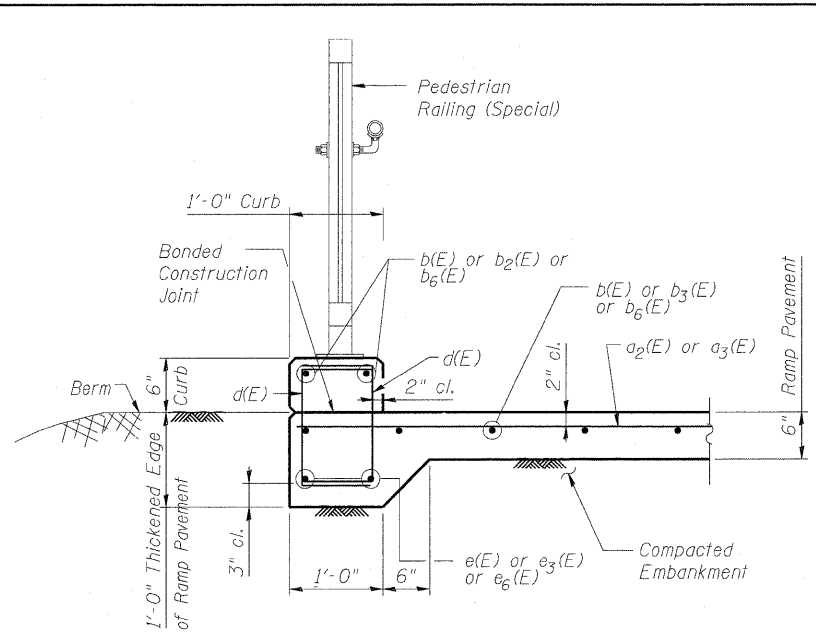
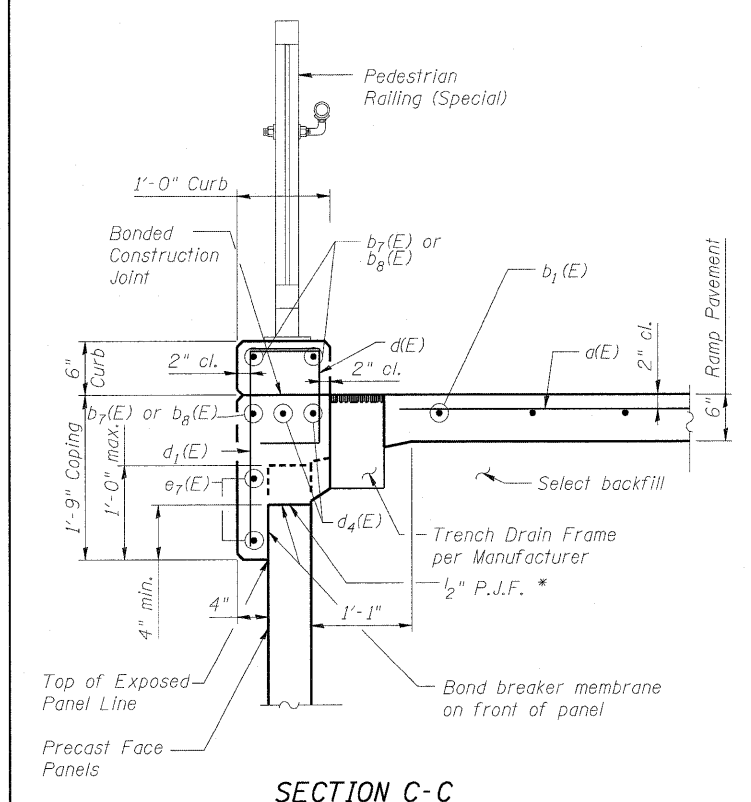
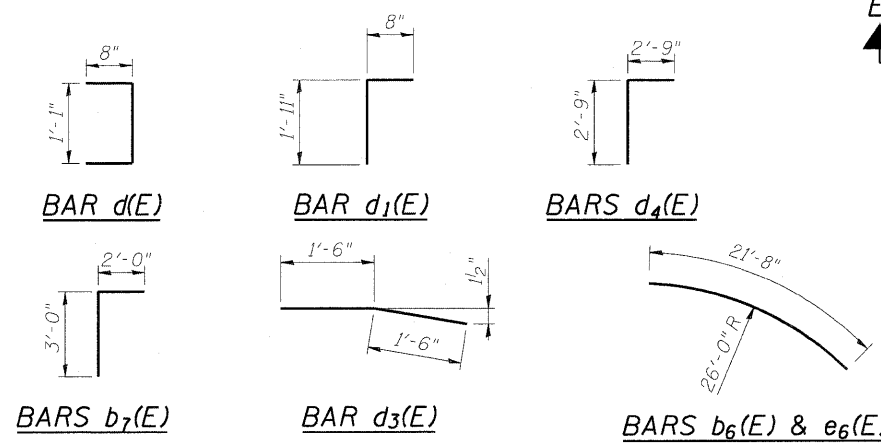


SECTION A-A

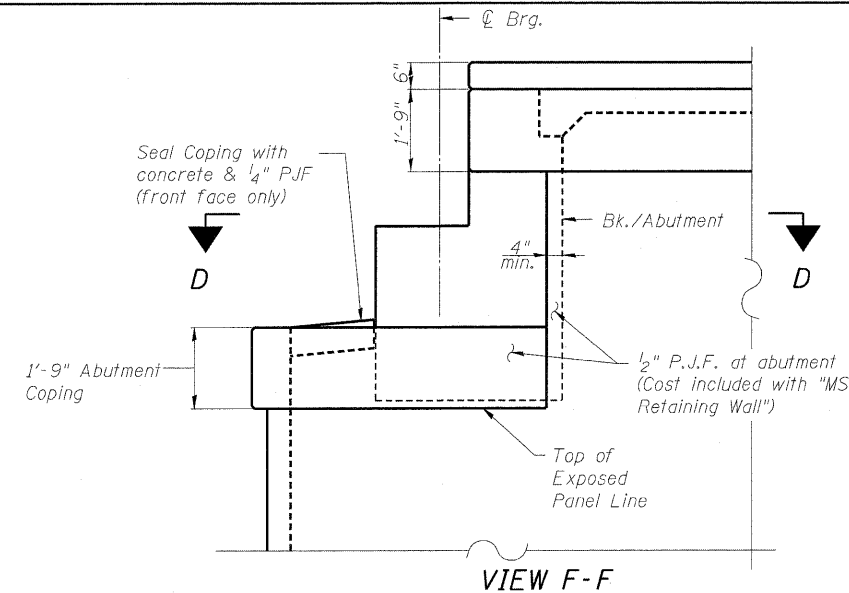
* Contractor shall ensure that the top of the P.J.F. is clear of fill and other debris before placing ramp pavement concrete. Cost of P.J.F. included with "Concrete Superstructure".



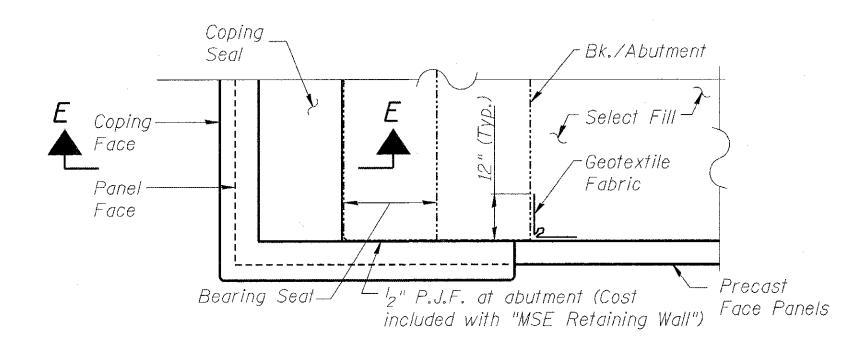
SECTION B-B



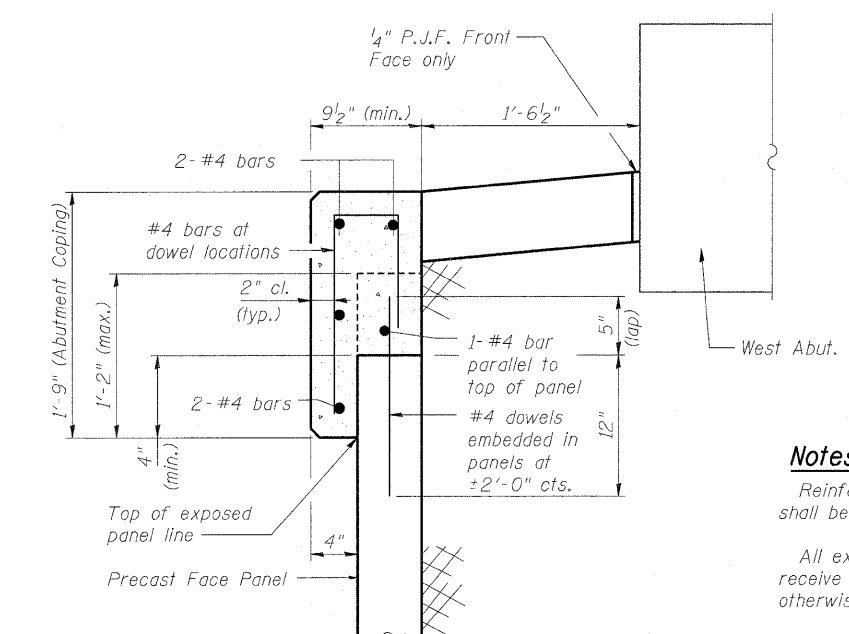
SECTION C-C



VIEW F-F



SECTION D-D



**SECTION E-E
(Cast In Place Coping Detail)**

NOTE: Cost of Coping, including epoxy coated reinforcement bars, P.J.F. & bond breaker is included in the pay item "Mechanically Stabilized Earth Retaining Wall".

**RAMP PAVEMENT
BILL OF MATERIAL**

Bar	No.	Size	Shape
d(E)	38	#5	16'-6"
a1(E)	135	#5	13'-10"
a2(E)	148	#5	13'-8"
a3(E)	14	#5	11'-2"
a4(E)	40	#5	12'-1"
a5(E)	2	#5	12'-8"
b(E)	150	#5	14'-8"
b1(E)	28	#5	18'-8"
b2(E)	14	#5	4'-8"
b3(E)	70	#5	4'-1"
b4(E)	90	#5	21'-1"
b5(E)	30	#5	20'-7"
b6(E)	4	#5	21'-8"
b7(E)	8	#5	5'-0"
b8(E)	5	#5	19'-5"
d(E)	744	#5	2'-5"
d1(E)	226	#5	2'-7"
d2(E)	142	#5	3'-0"
d3(E)	94	#5	3'-0"
d4(E)	4	#5	5'-6"
e(E)	30	#4	14'-8"
e1(E)	12	#4	13'-10"
e2(E)	2	#4	12'-8"
e3(E)	14	#4	4'-8"
e4(E)	2	#4	16'-6"
e5(E)	4	#4	20'-7"
e6(E)	2	#4	21'-8"
e7(E)	4	#4	19'-5"
Concrete Superstructure		Cu. Yd.	118.0
Reinforcement Bars, Epoxy Coated		Pound	15,340
Protective Coat		Sq. Yd.	570

Notes:
Reinforcement bars designated (E) shall be epoxy coated.
All exposed corners of concrete shall receive 3/4" chamfer unless noted otherwise.