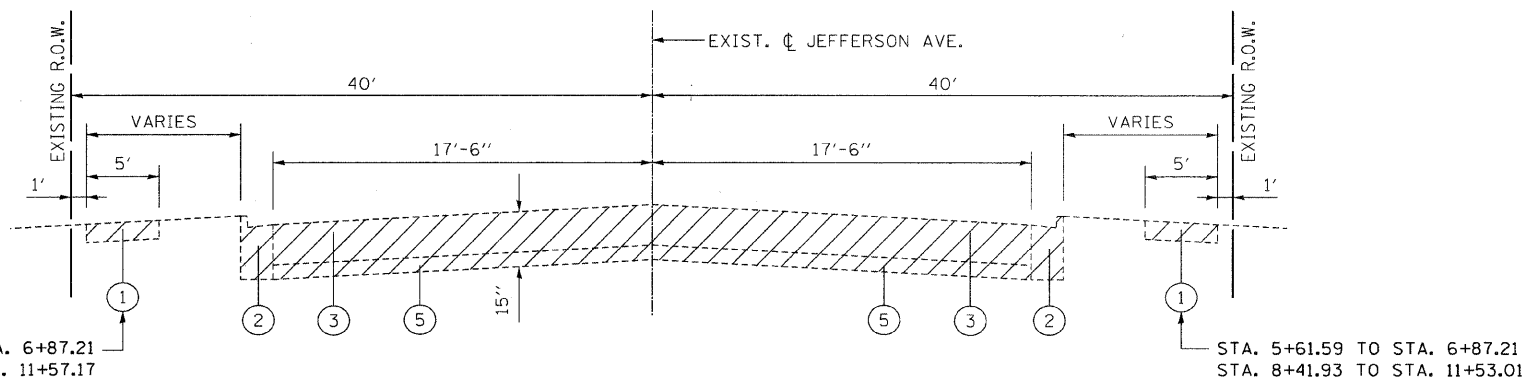
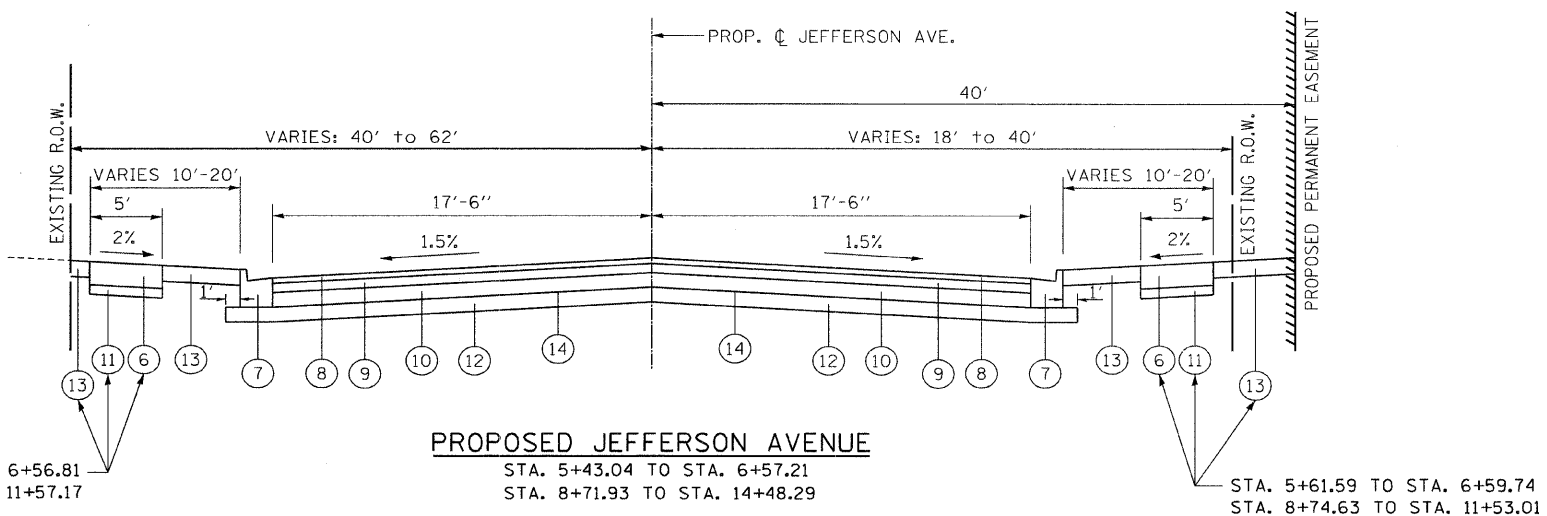


CONTRACT NO. 83827				
F.A.U. RTE.	SECTION	COUNTY	TOTAL SHEETS	SHEET NO.
3570	00-00116-00-BR	DUPAGE	106	7
STA.		TO STA.		
FED. ROAD DIST. NO.	ILLINOIS	FED. AID PROJECT		



EXISTING JEFFERSON AVENUE
 STA. 5+43.04 TO STA. 6+57.21
 STA. 8+71.93 TO STA. 14+48.29



PROPOSED JEFFERSON AVENUE
 STA. 5+43.04 TO STA. 6+57.21
 STA. 8+71.93 TO STA. 14+48.29

LEGEND:

- (R) ① EXISTING PCC SIDEWALK
- (R) ② EXISTING B-6.12 COMBINATION CONCRETE CURB AND GUTTER
- (R) ③ EXISTING FULL-DEPTH HOT-MIX ASPHALT PAVEMENT, ± 8"
- (R) ⑤ EXISTING SAND OR GRAVEL BASE COURSE ± 4"
- ⑥ PROPOSED PCC SIDEWALK, 5 INCH
- ⑦ PROPOSED COMBINATION CURB & GUTTER, TYPE B-6.12
- ⑧ PROPOSED HOT-MIX ASPHALT SURFACE COURSE, MIX D, N70, 2"
- ⑨ PROPOSED HOT-MIX ASPHALT BINDER COURSE, IL-19, N70, 2½"
- ⑩ PROPOSED HOT-MIX ASPHALT BASE COURSE 4"
- ⑪ PROPOSED SUB-BASE GRANULAR MATERIAL, TYPE B, 2"
- ⑫ PROPOSED SUB-BASE GRANULAR MATERIAL, TYPE B, 4"
- ⑬ PROPOSED TOPSOIL FURNISH AND PLACE, 4" & SODDING, SALT TOLERANT
- ⑭ PROPOSED BITUMINOUS MATERIALS (PRIME COAT) AND AGGREGATE (PRIME COAT)

SOILS NOTE:

A NOMINAL QUANTITY OF POROUS GRANULAR EMBANKMENT, SUBGRADE (PGES) HAS BEEN PROVIDED FOR SOILS WHICH TEND TO BE UNSTABLE WHEN WET. THE ACTUAL NEED FOR REMOVAL AND REPLACEMENT WITH PGES WILL BE DETERMINED IN THE FIELD AT THE TIME OF CONSTRUCTION BY THE ENGINEER (BY USE OF A CONE PENETROMETER IN CONJUNCTION WITH THE IDOT SUBGRADE MANUAL). IF UNSUITABLE SOILS ARE ENCOUNTERED, THE SOILS SHALL BE REMOVED AND REPLACED WITH PGES. IF UNSUITABLE SOILS ARE NOT ENCOUNTERED, THEN THE QUANTITY WILL BE DEDUCTED AND NO ADDITIONAL COMPENSATION WILL BE DUE THE CONTRACTOR. THE ASSUMED THICKNESS OF PGES WILL BE 12". THE ACTUAL THICKNESS WILL BE DETERMINED BY THE ENGINEER IN THE FIELD.

LEGEND ④ IS NOT USED

HMA MIXTURE REQUIREMENTS CHART

ITEM	AC TYPE	VOIDS	THICKNESS
FULL DEPTH PAVEMENT			
HMA SURFACE COURSE, MIX "D", N70	PG 64-22	4% @ 70 GYR.	2"
HMA BINDER COURSE, IL-19.0, N70	PG 64-22 •	4% @ 70 GYR.	2½"
HMA BASE COURSE (HMA BINDER IL-19 mm)	PG 64-22 •	4% @ 50 GYR.	4"
DRIVEWAYS			
HMA SURFACE COURSE, MIX "C", N50	PG 64-22	4% @ 50 GYR.	2"
HMA BASE COURSE (HMA BINDER IL-19 mm)	PG 64-22 •	4% @ 50 GYR.	6"
PATCHING			
CLASS D PATCHES, TYPE IV, (HMA BINDER IL-19 mm)	PG 64-22 •	4% @ 70 GYR.	10"

NOTES: THE UNIT WEIGHT USED TO CALCULATE ALL HOT-MIX ASPHALT SURFACE MIXTURE QUANTITIES IS 112 LBS/SQ YD./IN.

* WHEN RAP EXCEEDS 20%, THE NEW ASPHALT BINDER IN THE MIX SHALL BE PG 58-22.

ITEMS WITH (R) ARE TO BE REMOVED

REVISIONS	
NAME	DATE
PER DEC & CLIENT	8/13/05
PER IDOT	11/1/05

ILLINOIS DEPARTMENT OF TRANSPORTATION
 TYPICAL SECTIONS

JEFFERSON AVENUE OVER
 WEST BRANCH DUPAGE RIVER

SCALE: NO SCALE
 DATE: APRIL 6, 2009
 DRAWN BY: GM
 CHECKED BY: HRT