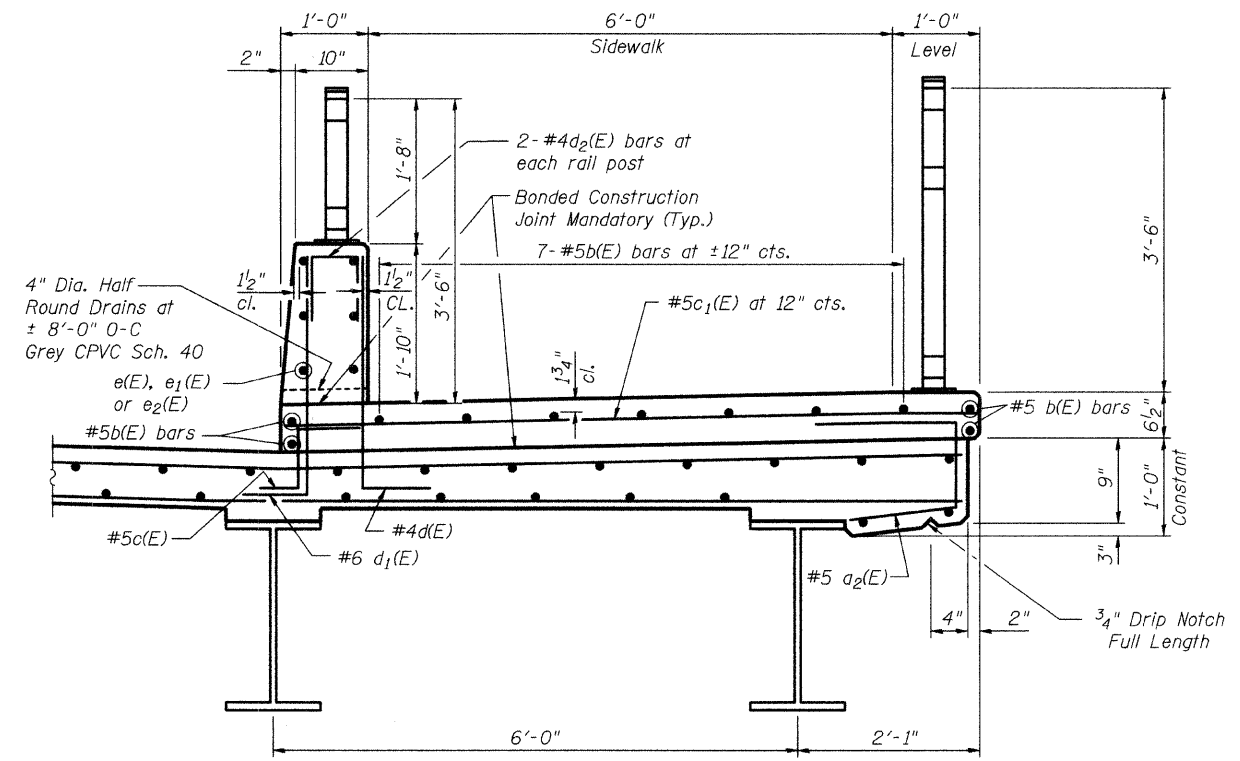


ROUTE NO.	SECTION	COUNTY	TOTAL SHEETS	SHEET NO.
	#	DUPAGE	106	28
FED. ROAD DIST. NO. 7		ILLINOIS	FED. AID PROJECT	

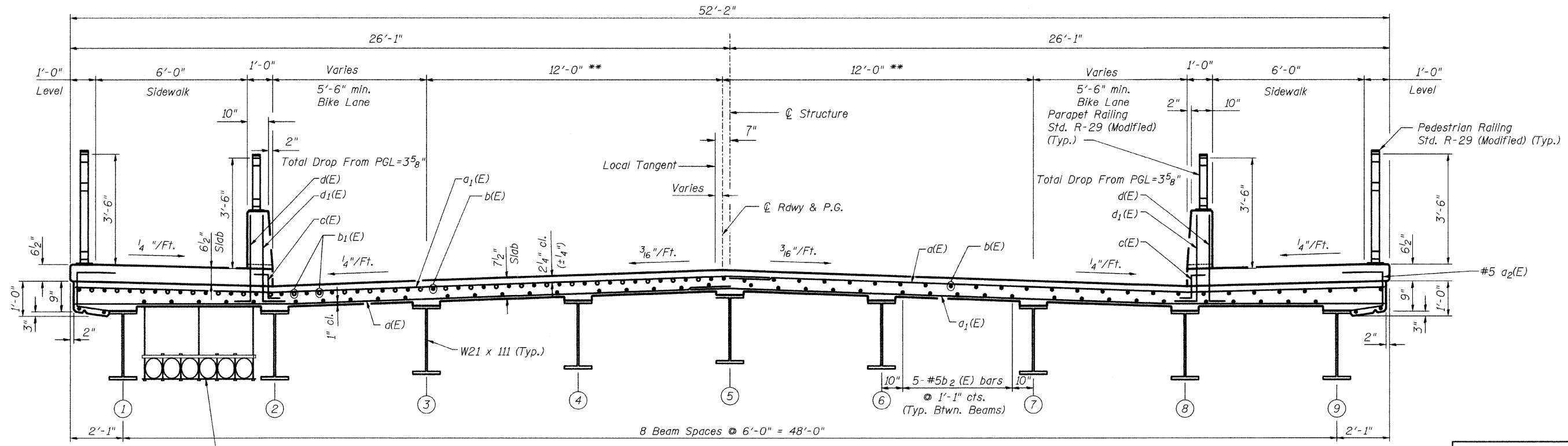
SHEET NO. S7
of S34 SHEETS

00-00116-00-BR



SOUTH SIDEWALK AND PEDESTRIAN SCREEN
(North Sidewalk and Pedestrian Screen Similar)

Notes:
 See Sheet S11 of S34 for superstructure details and Bill of Material.
 Reinforcement bars designated (E) shall be epoxy coated.
 See Sheet S8 of S34 for Pedestrian Screen reinforcement.
 Parapet Railing at sidewalk is included in payment for Pedestrian Railing.
 See Sheet S9 of S34 for section at Abutment.
 Cost of 4" Dia. Half Round Drains shall be included in the pay item Concrete Superstructure.



NEAR PIER

NEAR MIDSPAN

CROSS SECTION
(Looking East)

** Radial

DESIGNED	SRT
CHECKED	JJI
DRAWN	GM
CHECKED	JJI

City of Naperville,
Dept. of Public Utilities
Electric Duct Bank,
See Electrical Plans
and Sheet S15.

SUPERSTRUCTURE CROSS SECTIONS

JEFFERSON AVENUE OVER
 WEST BRANCH DUPAGE RIVER
 FAU 3570 SECTION 00-00116-00-BR
 DUPAGE COUNTY
 STA. 7+64.45
 STRUCTURE NUMBER 022-6756

Bollinger, Lach & Associates, Inc.