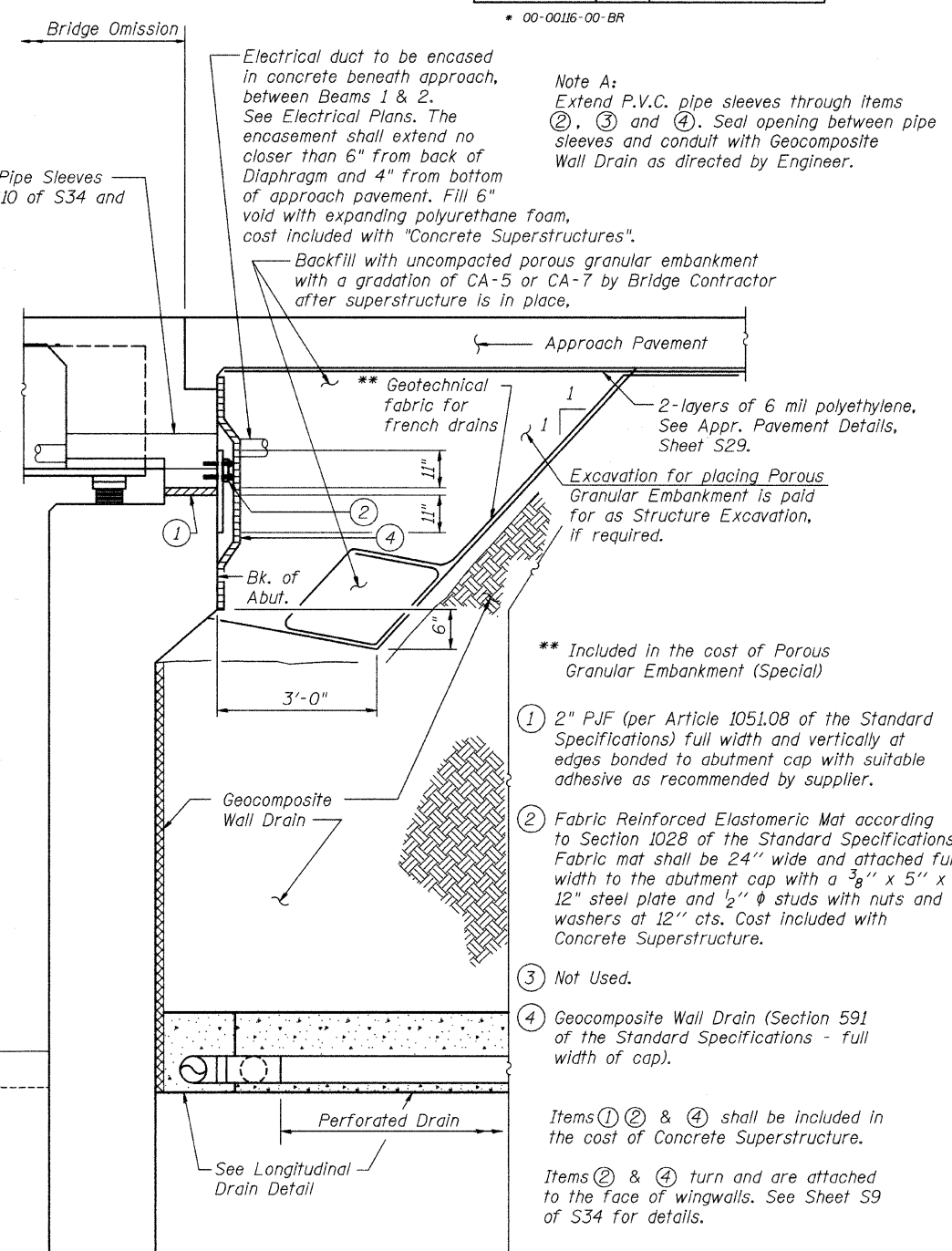
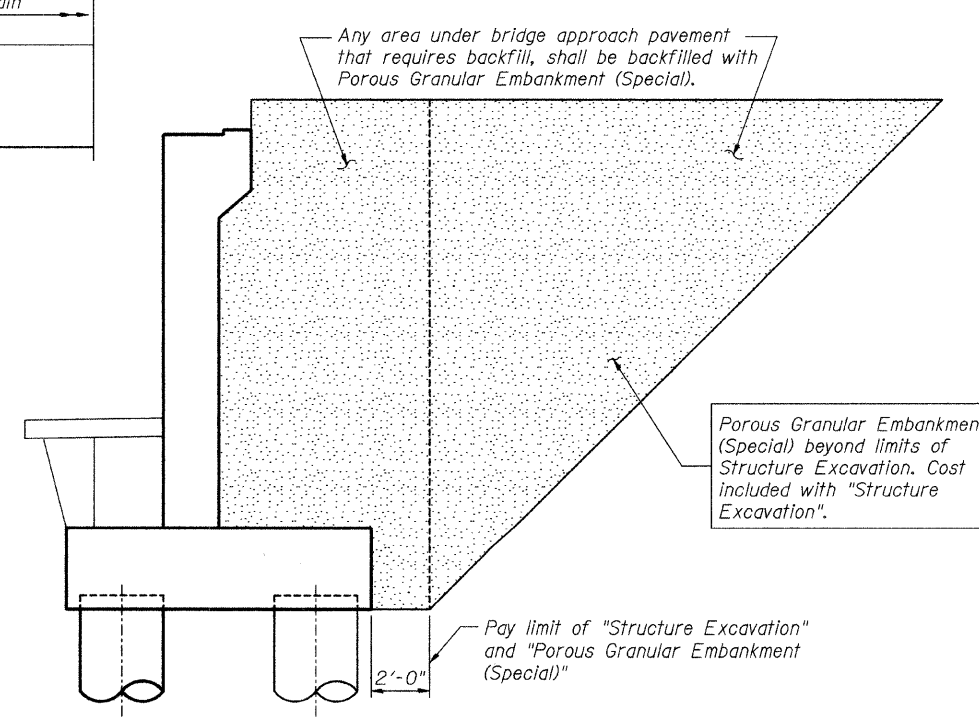
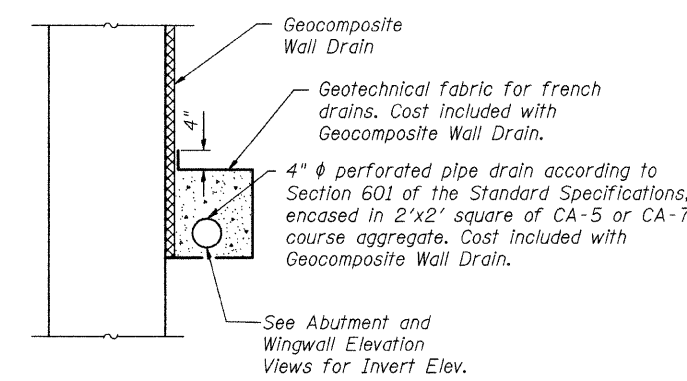
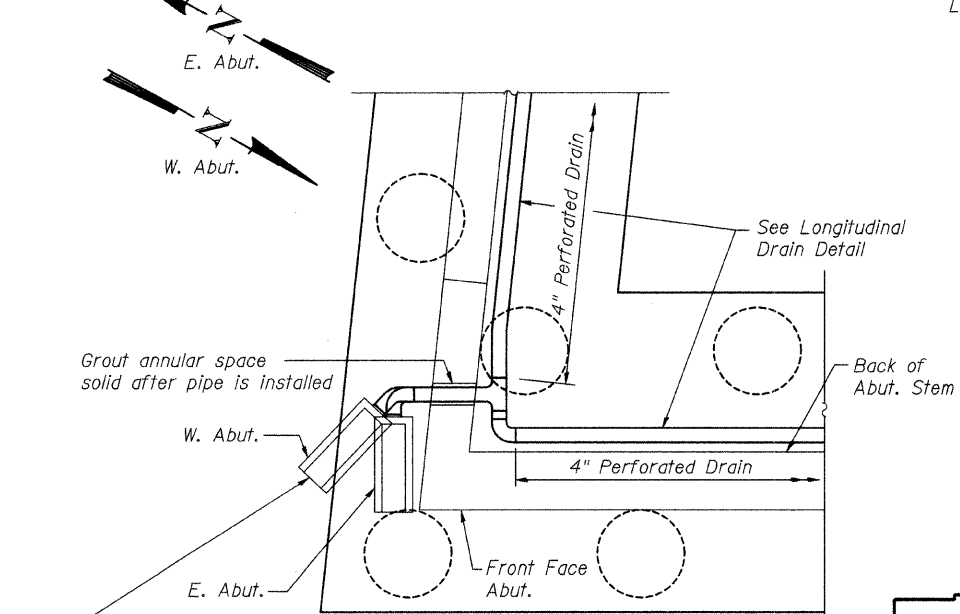
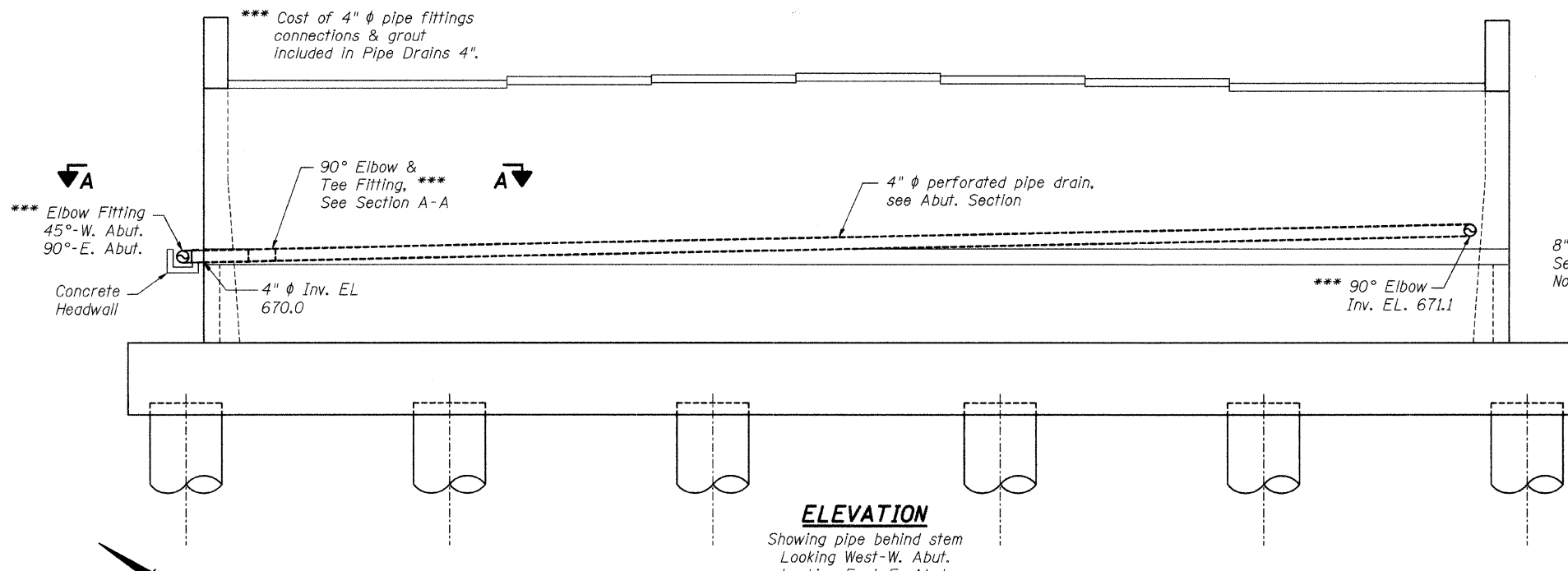


ROUTE NO.	SECTION	COUNTY	TOTAL SHEETS	SHEET	SHEET NO.
#	DUPAGE	106	43		S22
of S34 SHEETS					
FED. ROAD DIST. NO. 7	ILLINOIS	FED. AID PROJECT			

* 00-00116-00-BR



Note A:
Extend P.V.C. pipe sleeves through items ②, ③ and ④. Seal opening between pipe sleeves and conduit with Geocomposite Wall Drain as directed by Engineer.

** Included in the cost of Porous Granular Embankment (Special)

- ① 2" PJF (per Article 1051.08 of the Standard Specifications) full width and vertically at edges bonded to abutment cap with suitable adhesive as recommended by supplier.
- ② Fabric Reinforced Elastomeric Mat according to Section 1028 of the Standard Specifications. Fabric mat shall be 24" wide and attached full width to the abutment cap with a 3/8" x 5" x 12" steel plate and 1/2" ϕ studs with nuts and washers at 12" cts. Cost included with Concrete Superstructure.
- ③ Not Used.
- ④ Geocomposite Wall Drain (Section 591 of the Standard Specifications - full width of cap).

Items ① ② & ④ shall be included in the cost of Concrete Superstructure.

Items ② & ④ turn and are attached to the face of wingwalls. See Sheet S9 of S34 for details.

ABUTMENT DETAILS

JEFFERSON AVENUE OVER
WEST BRANCH DUPAGE RIVER
FAU 3570 SECTION 00-00116-00-BR
DUPAGE COUNTY
STA. 7+64.45
STRUCTURE NUMBER 022-6756

DESIGNED	JJI
CHECKED	SRT
DRAWN	GM
CHECKED	SRT

Bollinger, Lach & Associates, Inc.