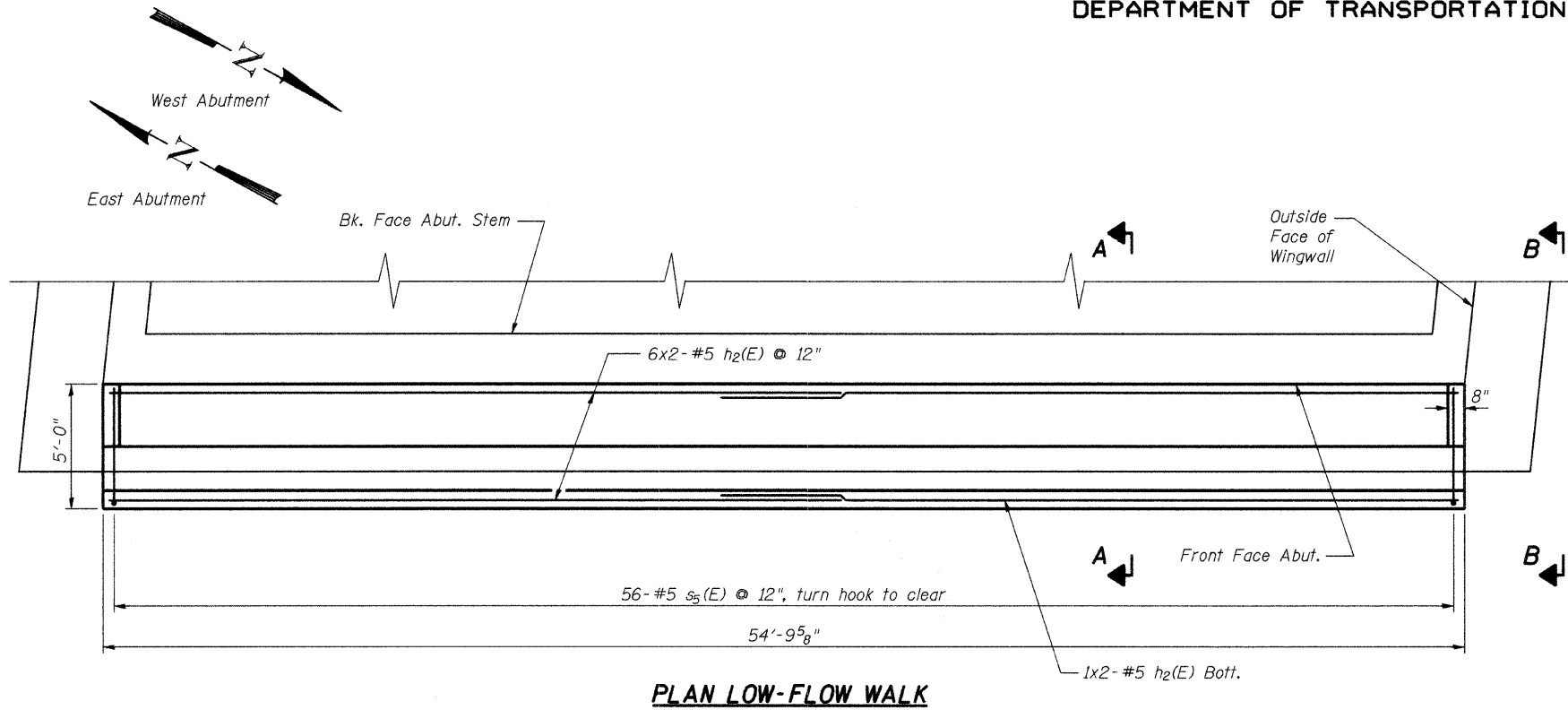


STATE OF ILLINOIS  
DEPARTMENT OF TRANSPORTATION

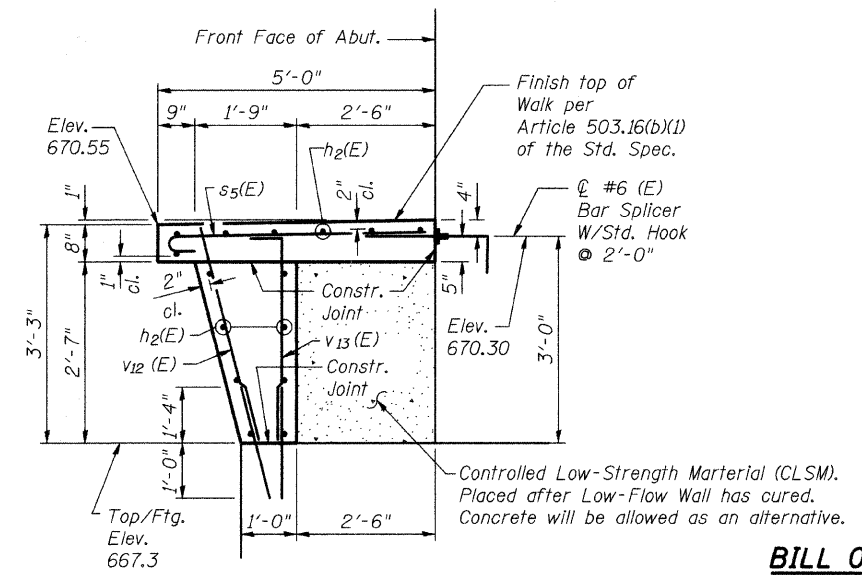
CONTRACT NO. 83827

ROUTE NO.	SECTION	COUNTY	TOTAL SHEETS	SHEET NO.	SHEET NO. S23 of 534 SHEETS
#	DUPAGE	106	44		
FED. ROAD DIST. NO. 7		ILLINOIS	FED. AID PROJECT-		

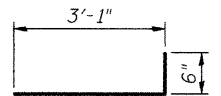
\* 00-00116-00-BR



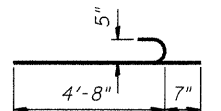
PLAN LOW-FLOW WALK



SECTION A-A



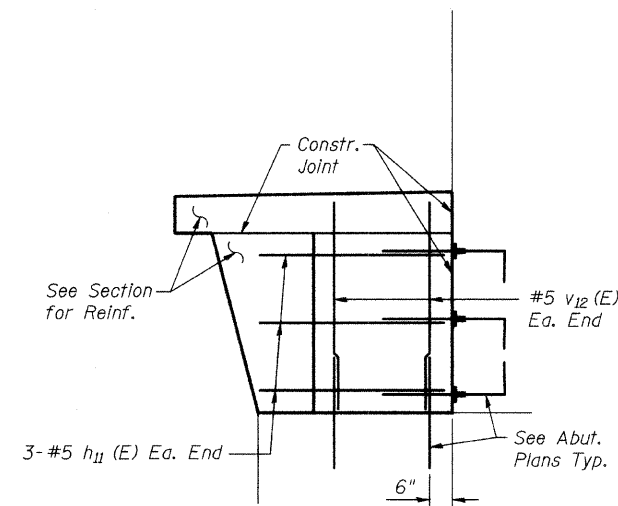
BAR v13(E)



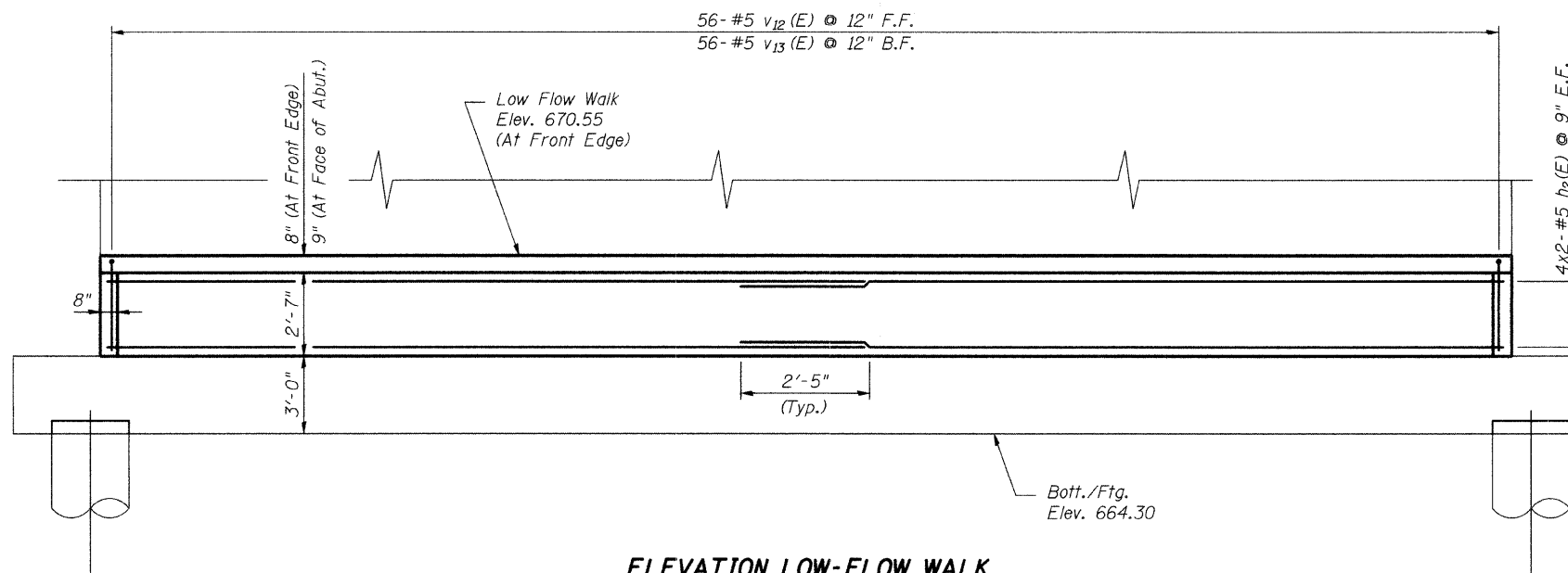
BAR s5(E)

BILL OF MATERIAL  
(For Two Low-Flow Walks)

Bar	No.	Size	Length	Shape
h2(E)	60	#5	28'-6"	—
h11(E)	12	#5	3'-4"	—
s5(E)	112	#5	5'-3"	⌋
v12(E)	120	#5	3'-1"	—
v13(E)	112	#5	3'-7"	—
Concrete Structures		Cu. Yd.	30	
Reinforcement Bars, Epoxy Coated		Pound	3250	
Controlled Low-Strength Material		Cu. Yd.	26	



VIEW B-B



ELEVATION LOW-FLOW WALK

DESIGNED	JJI
CHECKED	SRT
DRAWN	GM
CHECKED	SRT

**B** Bollinger, Lach & Associates, Inc.

Note:  
Reinforcement bars designated (E) shall be epoxy coated.  
Bars indicated thus 4x2-#5 etc. indicates 4 lines of bars with 2 lengths per line.  
All construction joints shall be bonded.

LOW-FLOW WALKWAY  
JEFFERSON AVENUE OVER  
WEST BRANCH DUPAGE RIVER  
FAU 3570 SECTION 00-00116-00-BR  
DUPAGE COUNTY  
STA. 7+64.45  
STRUCTURE NUMBER 022-6756