

STATE OF ILLINOIS
DEPARTMENT OF TRANSPORTATION

CONTRACT NO. 83827

ROUTE NO.	SECTION	COUNTY	TOTAL SHEETS	SHEET NO.
*		DUPAGE	106	47
FED. ROAD DIST. NO. 7		ILLINOIS FED. AID PROJECT		

SHEET NO. S26
of 534 SHEETS

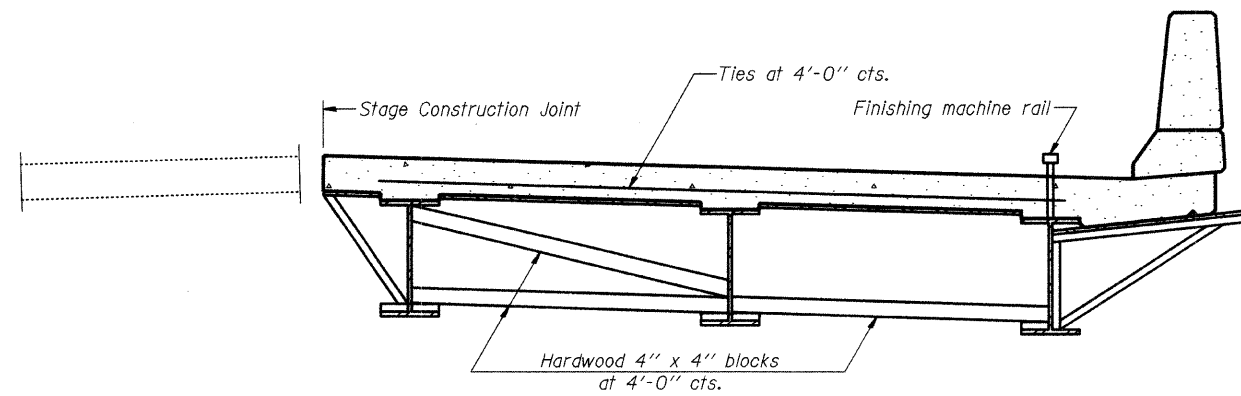
* 00-00116-00-BR

When cantilever forming brackets are used, the work shall be done according to Article 503.06 (b) of the Standard Specifications, except as modified below and in the details shown on this sheet.

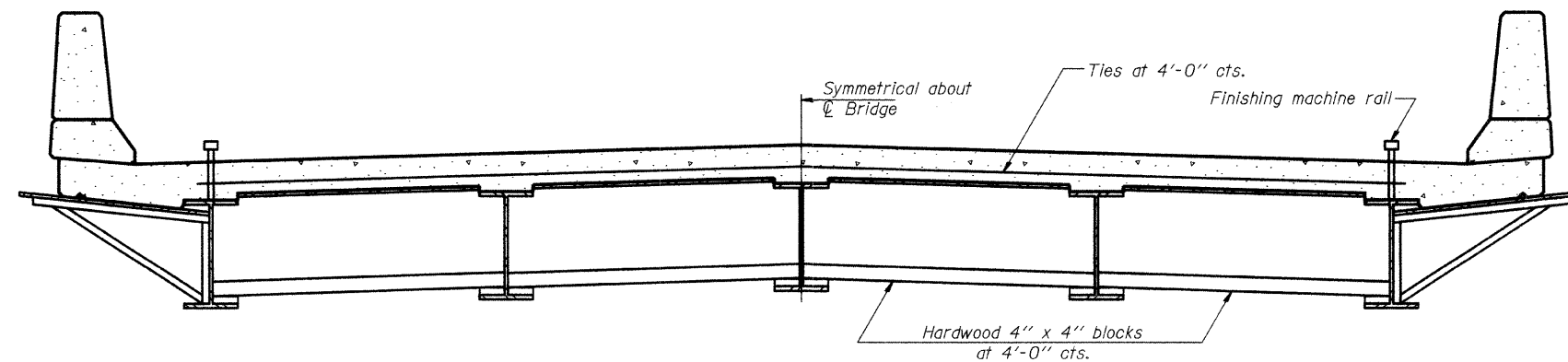
The finishing machine rails shall be placed on the top flange of the exterior beams.

The beams or girders, supporting cantilever forming brackets, shall be tied together at 4 foot intervals.

For Standard construction, or Stage Construction the Hardwood bracing materials shall be placed as shown between webs of beams in each bay.



**FORM BRACES FOR
STAGE CONSTRUCTION**



**FORM BRACES FOR
STANDARD CONSTRUCTION**

DESIGNED	
CHECKED	
DRAWN	GM
CHECKED	SRT

SB-1

CANTILEVER FORMING BRACKET DETAILS

JEFFERSON AVENUE OVER
WEST BRANCH DUPAGE RIVER
FAU 3570 SECTION 00-00116-00-BR
DUPAGE COUNTY
STA. 7+64.45
STRUCTURE NUMBER 022-6756