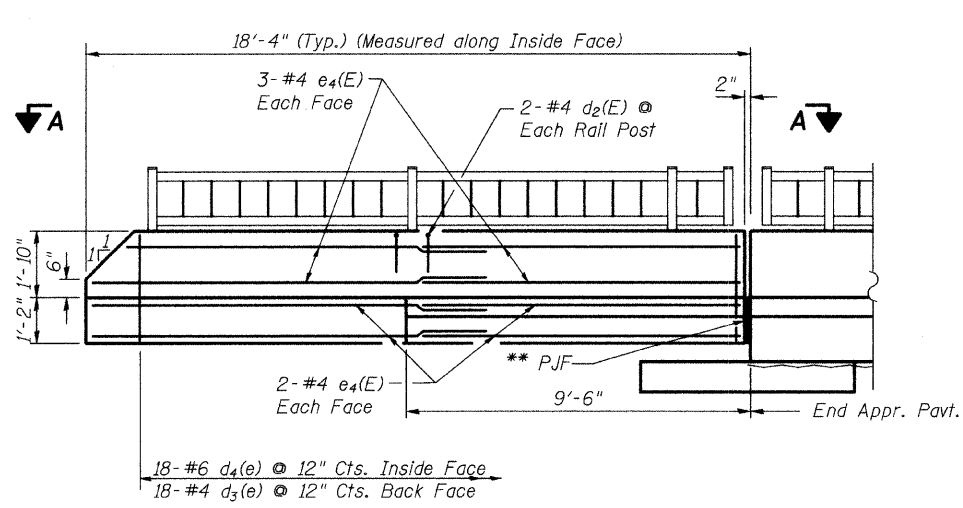
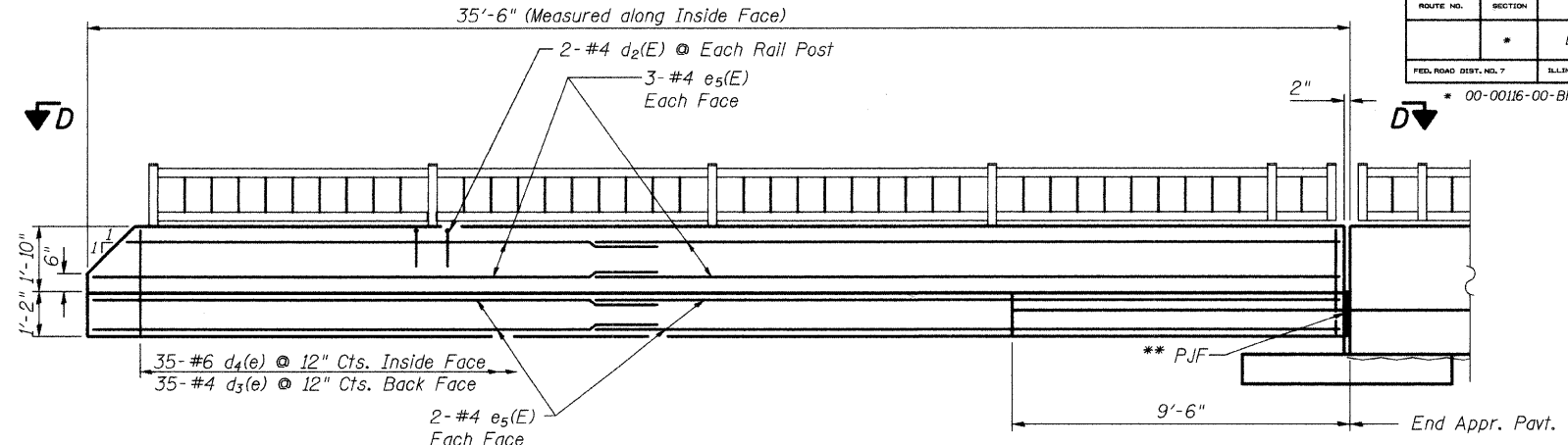


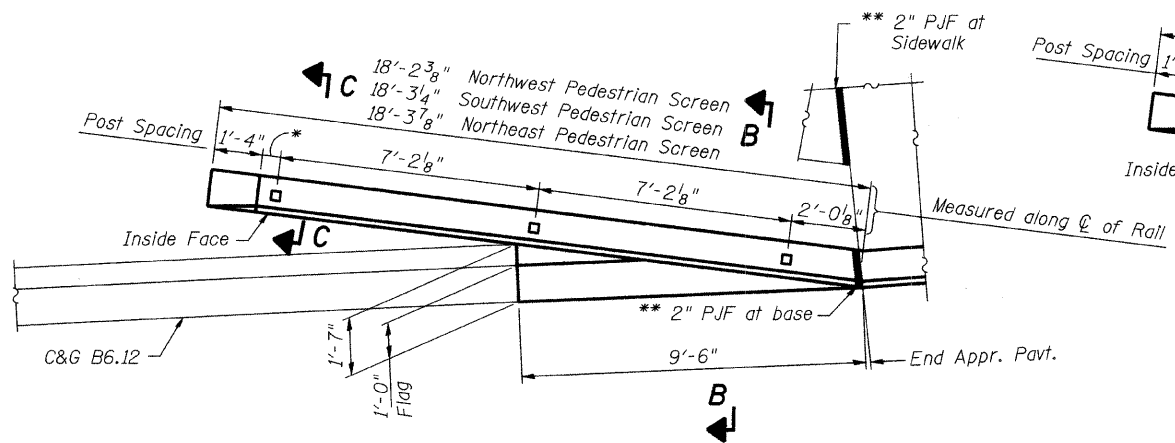
ROUTE NO.	SECTION	COUNTY	SHEETS	SHEET	SHEET NO. S30 of S34 SHEETS
#	DUPAGE		106	51	
FED. ROAD DIST. NO. 7		ILLINOIS	FED. AID PROJECT		
* 00-00116-00-BR					



**TYPICAL INSIDE ELEVATION OF OFF-BRIDGE PEDESTRIAN SCREEN**  
(Typ. Except at Southeast Corner)

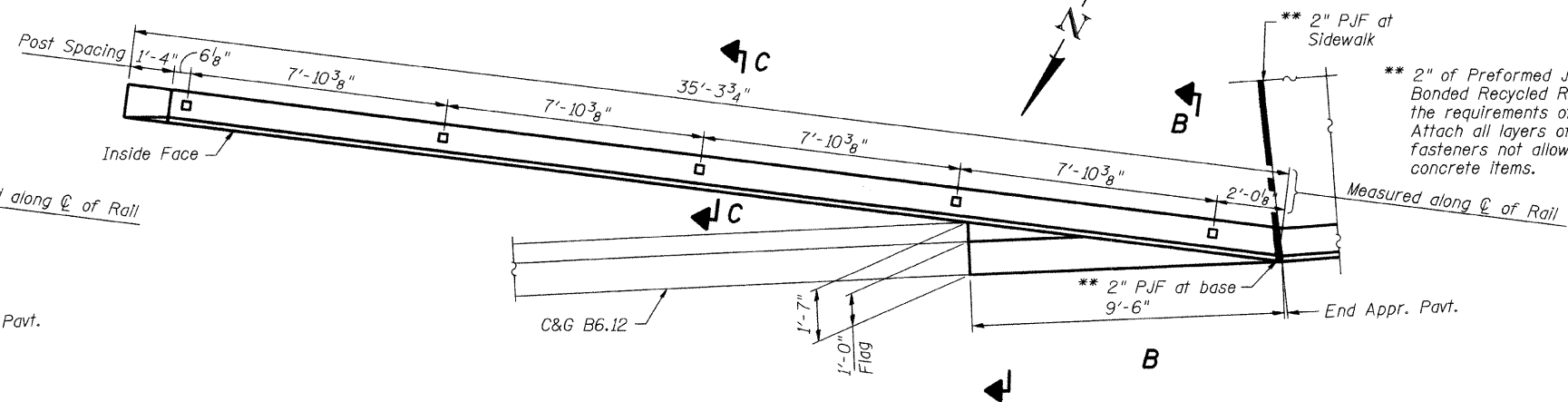


**INSIDE ELEVATION OF OFF-BRIDGE PEDESTRIAN SCREEN AT SOUTHEAST CORNER**



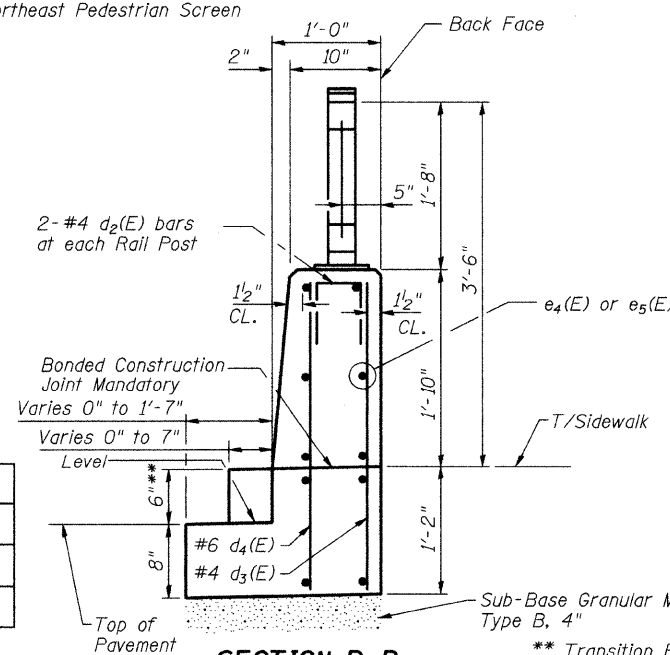
**SECTION A-A**  
**TYPICAL PLAN OFF-BRIDGE PEDESTRIAN SCREEN**

- \* 6" @ Northwest Pedestrian Screen
- 6 7/8" @ Southwest Pedestrian Screen
- 7 1/2" @ Northeast Pedestrian Screen

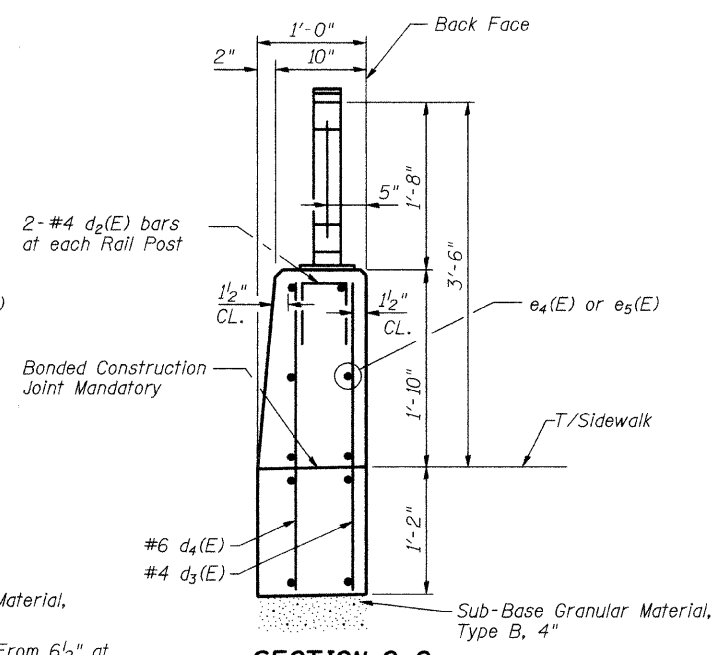


**SECTION D-D**  
**PLAN OFF-BRIDGE PEDESTRIAN SCREEN AT SOUTHEAST CORNER**

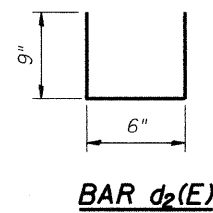
\*\* 2" of Preformed Joint Filler, Polyurethane Bonded Recycled Rubber conforming with the requirements of AASHTO M 153, Type IV. Attach all layers of PJF with adhesive, fasteners not allowed. Cost included in concrete items.



**SECTION B-B**



**SECTION C-C**



**BAR d2(E)**

DESIGNED	SRT
CHECKED	JJI
DRAWN	GM
CHECKED	SRT

**B** Bellinger, Lach & Associates, Inc.

- NOTES:
- All reinforcement bars shall be epoxy coated.
  - For Parapet Railing details not shown see Railing Details sheets in bridge plans.
  - The Parapet Railing located beyond the limits of the bridge approach pavement, furnished and installed, is paid for as Parapet Railing, Special.
  - Sub-Base Material, excavation and backfill required for pedestrian screen construction is included Concrete Superstructure.

**TOTAL BILL OF MATERIAL**  
(Total for Off-Bridge Pedestrian Screens)

Bar	No.	Size	Length (m)	Shape
d2(E)	28	#4	2'-0"	U
d3(E)	89	#4	2'-9"	—
d4(E)	89	#6	2'-9"	—
e4(E)	60	#4	9'-10"	—
e5(E)	20	#4	18'-5"	—
Concrete Superstructure			Cu. Yd.	10.4
Reinforcement Bars, Epoxy Coated			Pound	1210
Parapet Railing, Special			Foot	85
Protective Coat			Sq. Yd.	33

**OFF-BRIDGE PEDESTRIAN SCREEN**

**JEFFERSON AVENUE OVER  
WEST BRANCH DUPAGE RIVER  
FAU 3570 SECTION 00-00116-00-BR  
DUPAGE COUNTY  
STA. 7+64.45  
STRUCTURE NUMBER 022-6756**