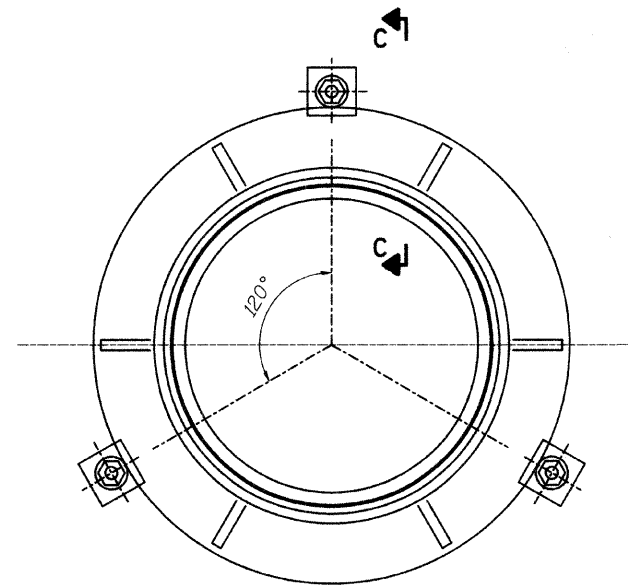
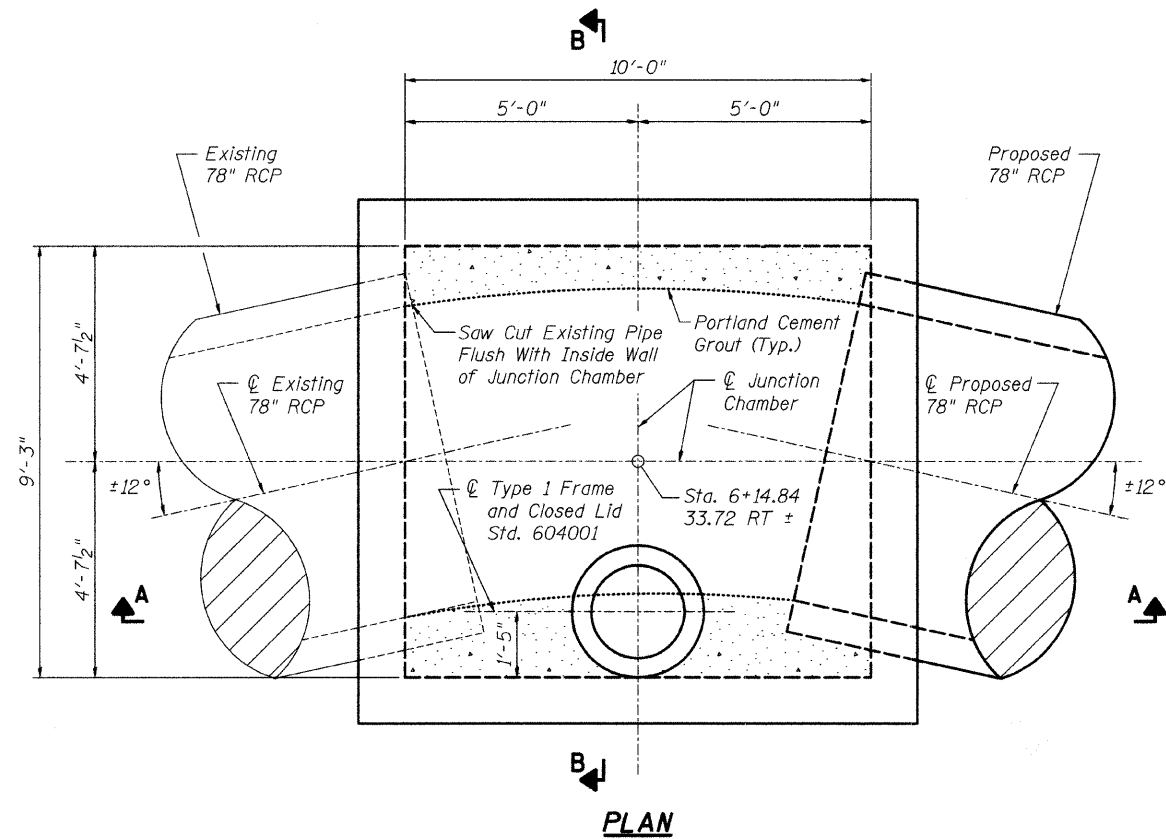


ROUTE NO.	SECTION	COUNTY	SHEET NO.	SHEET
	#	DUPAGE	106	52
FED. ROAD DIST. NO. 7		ILLINOIS		FED. AID PROJECT-

* 00-00116-00-BR

STATE OF ILLINOIS
DEPARTMENT OF TRANSPORTATION



FRAME HOLD DOWN

GENERAL NOTES:

Precast Concrete Junction Chamber shall be constructed in accordance with the Special Provision "Precast Concrete Junction Chamber" and the Standard Specifications.

Appropriate sizing and location of lifting inserts shall be the responsibility of the Contractor to assure balanced handling during installation of the Precast Concrete Junction Chamber.

The Contractor is to patch all lifting insert holes and place a minimum of one (1) inch of cover over the hardware of these devices on both top and bottom surfaces.

See Standard Drawings 604001 and 602701 for details regarding cast iron covers and frames, and details for Manhole Steps.

All existing pipe surfaces to abut new concrete shall be cleaned and roughened. Work is incidental to "Precast Concrete Junction Chamber".

The outside face of junction chamber walls and top slab shall be waterproofed according to Article 503.18 of the Standard Specifications.

It shall be at all times the Contractor's responsibility to prevent the flow in existing sewer from entering the construction site.

CONSTRUCTION NOTES:

Construction of Precast Concrete Junction Chamber shall be performed during a low flow period.

The details shown shall be modified as directed by the Engineer if a pipe joint falls within junction chamber wall.

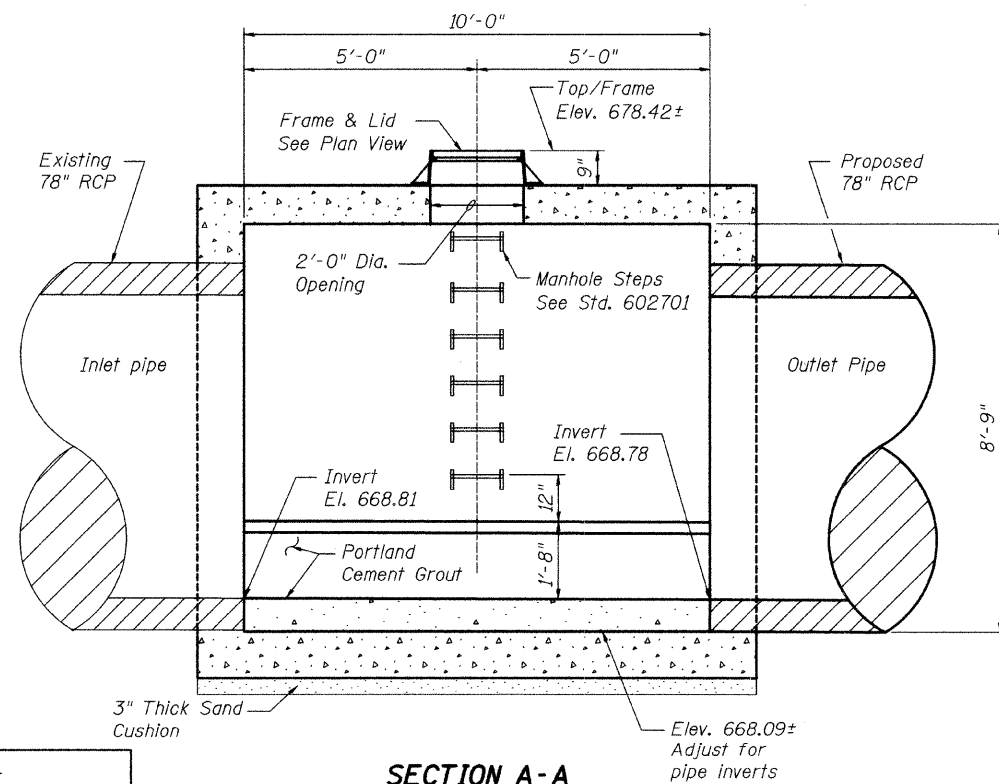
Contractor shall divert and maintain flow from the existing 78" Dia. pipe within existing sewer while performing construction of the Junction Chamber.

DESIGN SPECIFICATIONS:

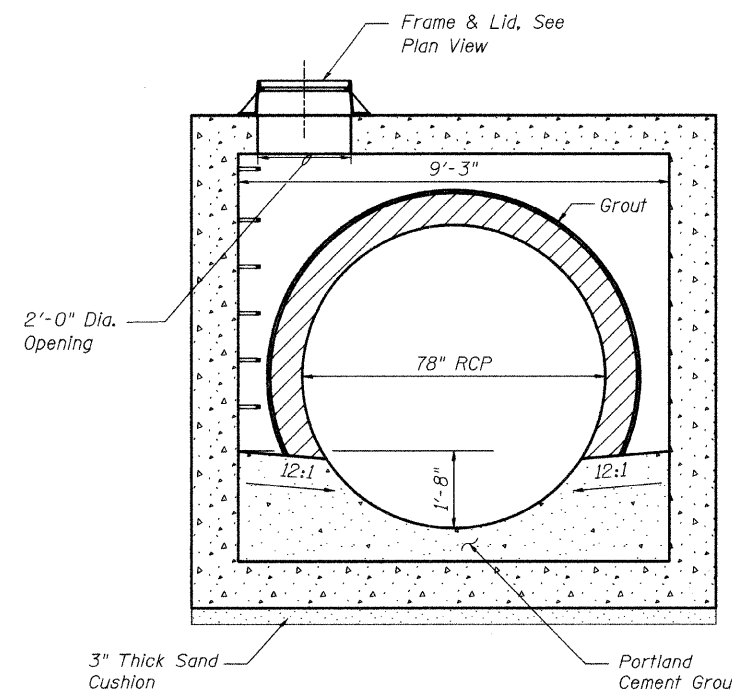
2002 AASHTO

LOADING:

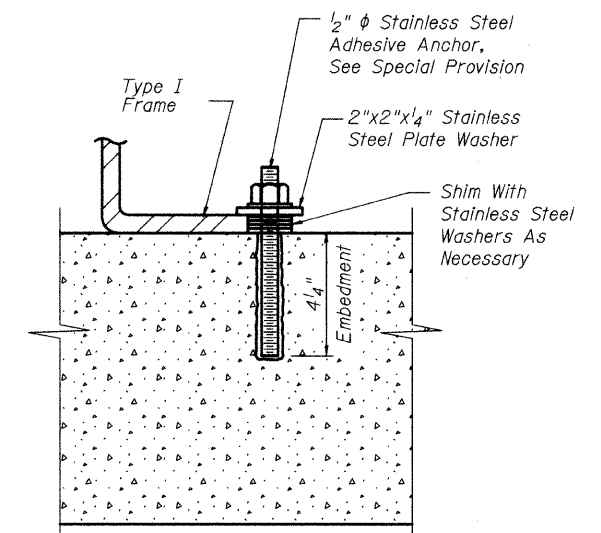
H 15



SECTION A-A



SECTION B-B



SECTION C-C

DESIGNED	SRT
CHECKED	JJI
DRAWN	GM
CHECKED	JJI

B Bellinger, Lach & Associates, Inc.

TOTAL BILL OF MATERIAL

ITEM	UNIT	TOTAL
Precast Concrete Junction Chamber	Each	1

PRECAST CONCRETE JUNCTION CHAMBER

JEFFERSON AVENUE OVER
WEST BRANCH DUPAGE RIVER
FAU 3570 SECTION 00-00116-00-BR
DUPAGE COUNTY
STA. 7+64.45
STRUCTURE NUMBER 022-6756