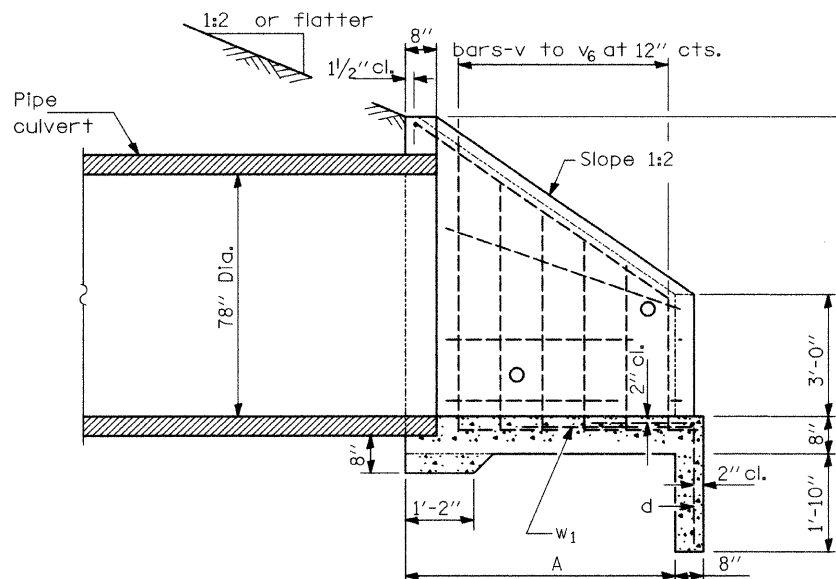
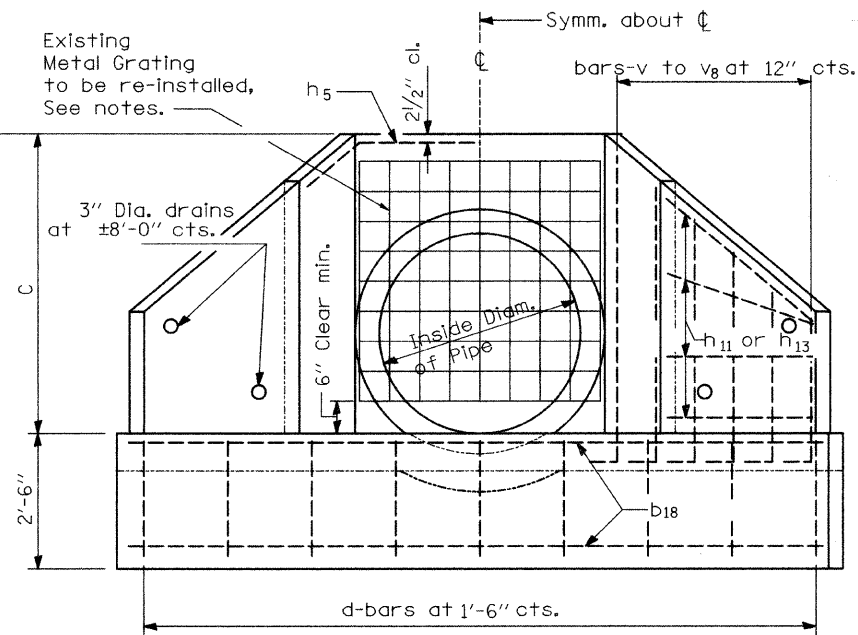


ROUTE NO.	SECTION	COUNTY	TOTAL SHEETS	SHEET NO.
*		DUPAGE	106	53
FED. ROAD DIST. NO. 7		ILLINOIS		FED. AID PROJECT-

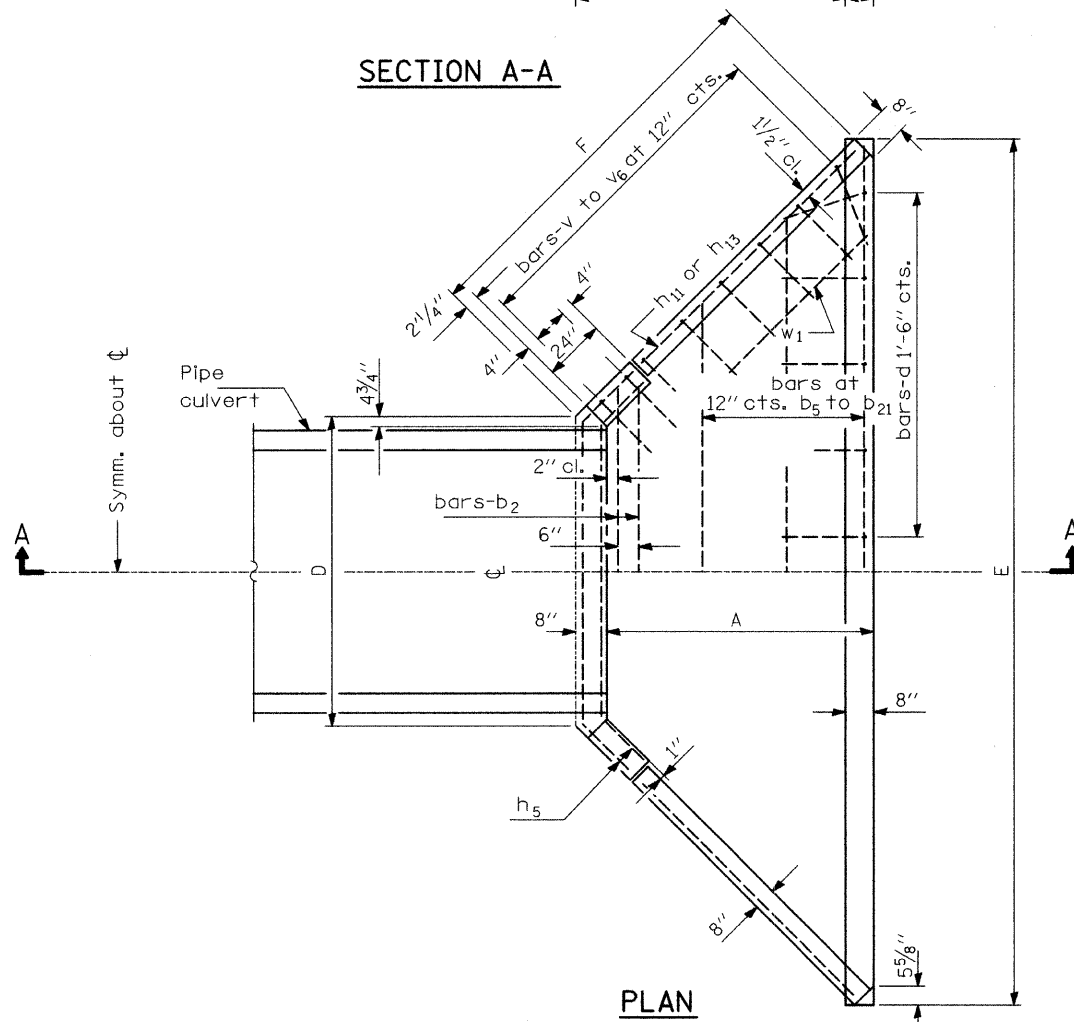
* 00-00116-00-BR



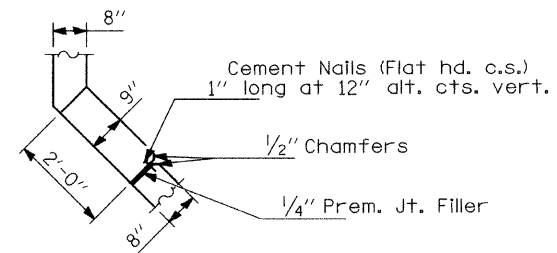
SECTION A-A



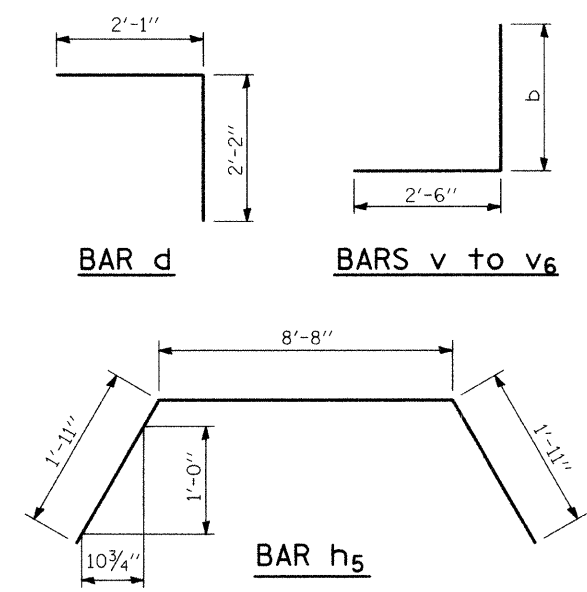
END ELEVATION



PLAN



CORNER DETAIL



BAR d

BARS v to v6

BAR h5

DIMENSIONS OF BENT BARS

BAR	b	TOTAL LENGTH
v	3'-3"	5'-9"
v1	4'-0"	6'-6"
v2	5'-0"	7'-6"
v4	6'-0"	8'-6"
v6	7'-0"	9'-6"

DIMENSIONS OF STRAIGHT BARS

BARS	SIZE	LENGTH
b2	No. 5	10'-3"
b5	No. 4	12'-9"
b9	No. 4	15'-6"
b11	No. 4	17'-0"
b14	No. 4	19'-3"
b17	No. 4	21'-9"
b18	No. 4	23'-3"
b20	No. 4	25'-6"
b21	No. 4	27'-9"
h11	No. 4	8'-9"
h13	No. 4	10'-9"
w1	No. 4	10'-0"

TOTAL BILL OF MATERIAL

ITEM	UNIT	TOTAL
Cast-In-Place Reinforced Concrete End Section 78", Special	Each	1

BARS IN ONE END SECTION

78" Pipe	
BARS	No.
d	20
b2	2
b5	1
b9	1
b11	1
b14	1
b17	1
b18	1
b20	1
b21	2
h5	2
h13	12
v	4
v1	8
v2	6
v4	6
v6	8
h11	4
w1	2

DIMENSIONS					Concrete cu. yds.	Reinf. Bars lbs.
A	C	D	E	F		
9'-3"	7'-7 1/2"	9'-3 1/2"	28'-2"	13'-4 1/2"	10.0	650

DESIGNED	SRT
CHECKED	JJI
DRAWN	GM
CHECKED	JJI

Bollinger, Lach & Associates, Inc.

CAST-IN-PLACE REINFORCED CONCRETE END SECTION 78" SPECIAL

JEFFERSON AVENUE OVER WEST BRANCH DUPAGE RIVER
FAU 3570 SECTION 00-00116-00-BR
DUPAGE COUNTY
STA. 7+64.45
STRUCTURE NUMBER 022-6756