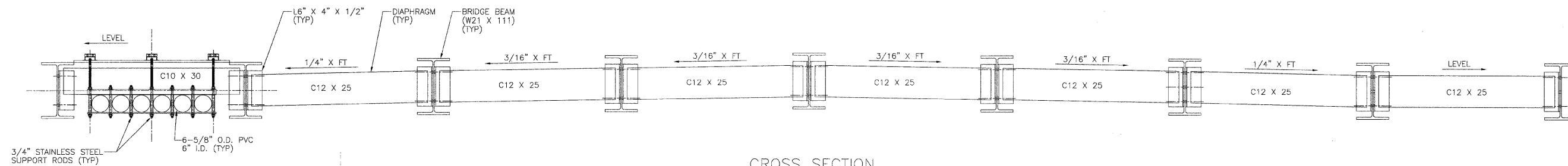
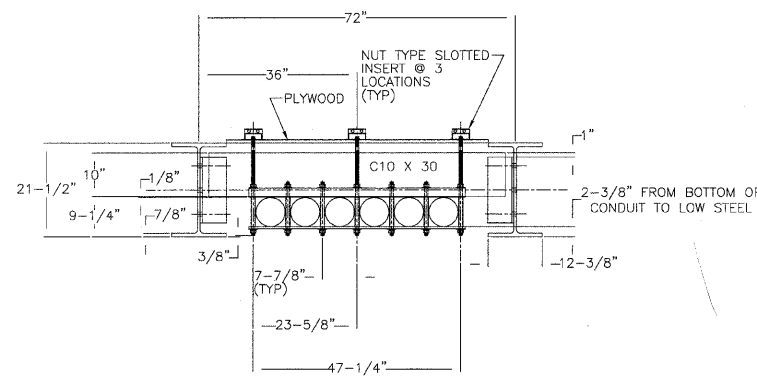


F.A. RTE.	SECTION	COUNTY	TOTAL SHEETS	SHEET NO.
3570	00-00116-00-BR	DUPAGE	106	59
STA. 4+38.47	TO STA. 14+62.4			
FED. ROAD DIST. NO.	ILLINOIS	FED. AID PROJECT		
CONTRACT 83827				

DUCT LOCATION IN BRIDGE



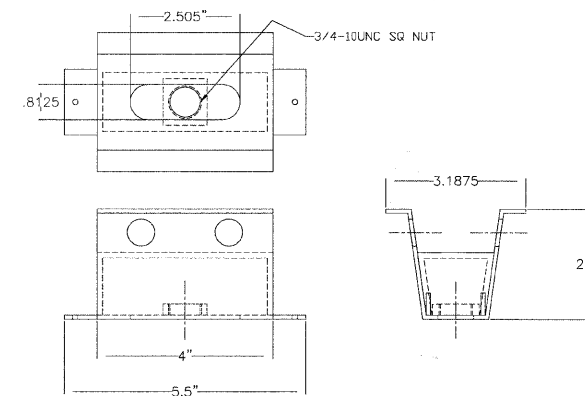
CROSS SECTION (LOOKING EAST)



SECTION A-A (SEE PAGE 5)

- CONSTRUCTION NOTE:
- 1) ALL CONDUITS AND MATERIALS SHALL BE INSTALLED ABOVE LOW STEEL ON BRIDGE. ADJUST AS APPLICABLE.
 - 2) PRE-FIT MATERIAL BEFORE FINAL INSTALLATION.
 - 3) 3/4" STAINLESS STEEL THREADED SUPPORT RODS NEED TO BE FIELD CUT. PRIOR TO INSTALLATION.
 - 4) PREEN THREADS AND TORQUE NUTS.
 - 5) MAINTAIN 1/8" GAP ON TOP AND SIDES OF CONDUIT FOR EXPANSION.

NUT TYPE SLOTTED INSERT



- NOTES:
- 1) WEIGHT PER FOOT FOR 6 DUCTS WITH DUCT MATERIALS AND ALL DUCTS FILLED WITH 1000 KCMIL CABLE 12KV OR 34KV CABLE IS 120 LBS./FOOT SUPPORTED BY BRIDGE.
 - 2) CONTRACTOR SHALL PROVIDE A METHOD OF CONSTRUCTION THAT WILL ENSURE THAT NO MATERIALS BEING INSTALLED OR WORKED ON FALL INTO THE RIVER.

CITY OF NAPERVILLE/DEPARTMENT OF PUBLIC UTILITIES - ELECTRIC					
CALL J.U.L.I.E. 48 HRS. PRIOR TO CONSTRUCTION					
PROJECT TITLE	JEFFERSON AV. BRIDGE DUCTBANK INSTALLATION	MAP NO.	N/A	CAD FILE	0054679001D4.DWG
PROJECT DESCRIPTION	COORDINATED WITH BRIDGE IMPROVEMENTS	DRAWN BY:	PM	PROJECT NO.:	EU13-04-06
DATE	4-01-09	WORK REQUEST NO.	54679	AT&T:	COMPLETED BY:
ISSUED		ENGINEER	PSM	APPR:	
REVISION		1	2	3	
				SCALE:	N.T.S.
				SHEET 4 OF 30	