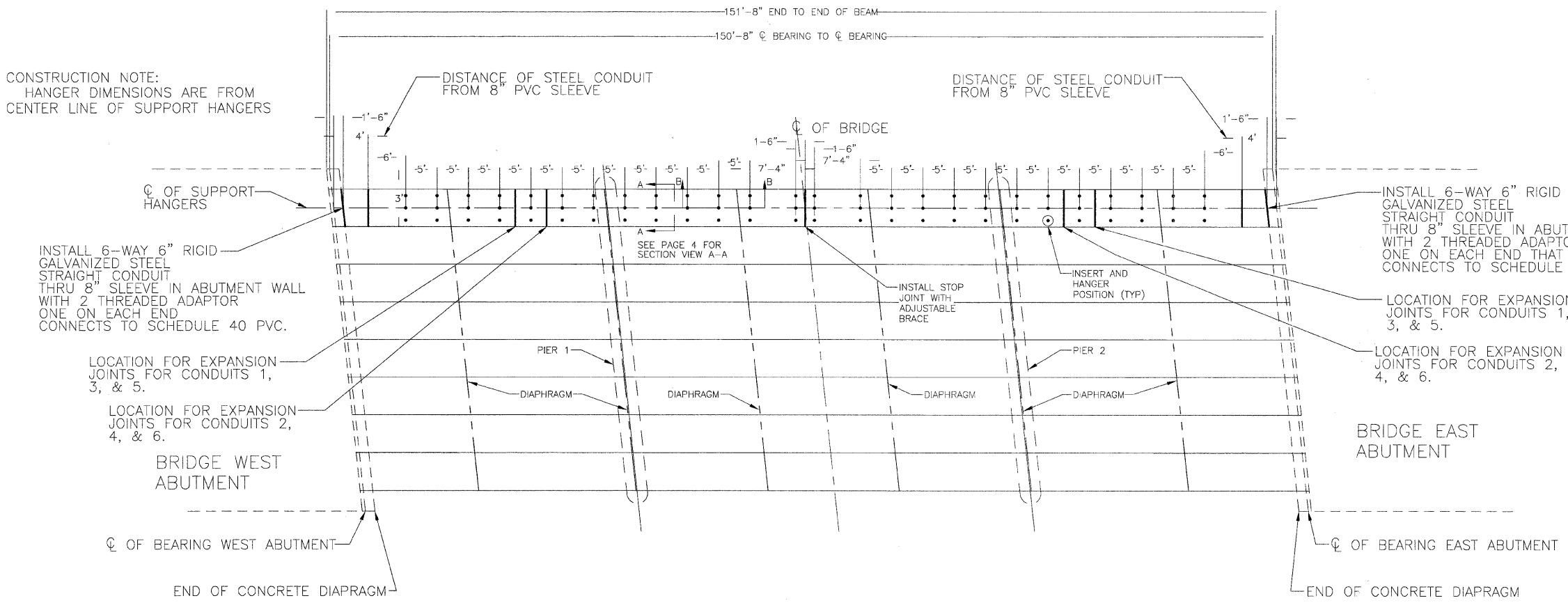
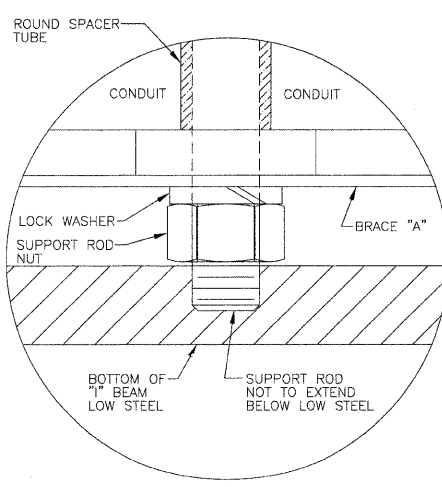


F.A. RTE.	SECTION	COUNTY	TOTAL SHEETS	SHEET NO.
3570	00-00116-00-BR	DUPAGE	106	60
STA. 4+38.47	TO STA. 14+62.4			
FED. ROAD DIST. NO.	ILLINOIS	FED. AID PROJECT		
CONTRACT 83827				

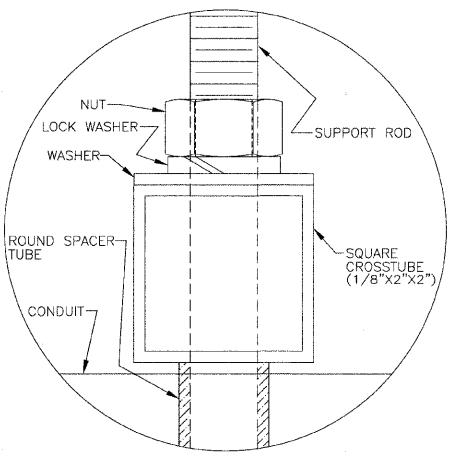
INSERT LAYOUT (78 PLACES)
 (●) = INSERT SYMBOL



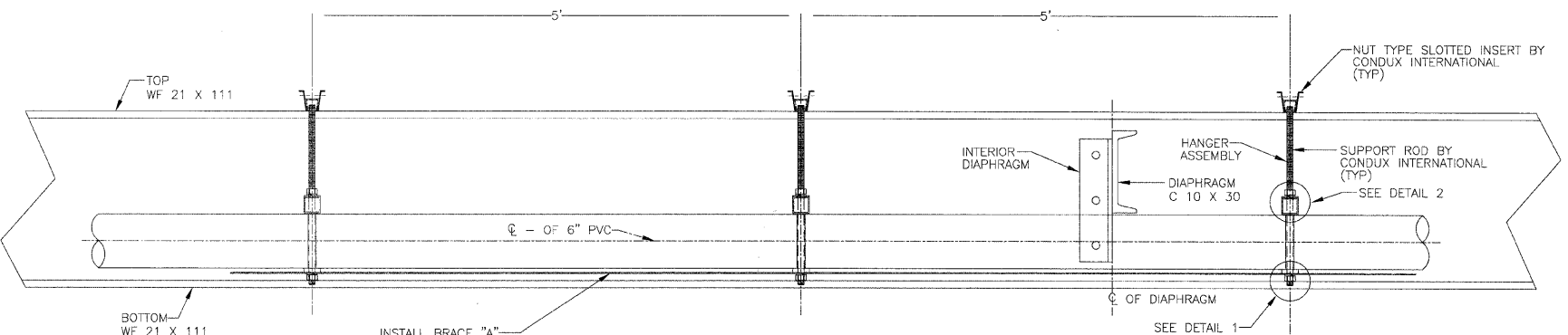
- NOTES:
- 1) ALL NUT TYPE SLOTTED INSERTS SHALL BE NAILED TO THE PLYWOOD W/SUPPORT ROD HANGER.
 - 2) ALL INSERTS SHALL BE CHECKED VISUAL LOOKED AND HAND CHECKED TO BE SURE THAT THE INSERTS WILL NOT MOVE OR FALL OFF DURING THE CONCRETE POUR PROCESS.
 - 3) CONTRACTOR SHALL ALLOW FOR DELAY DUE TO CONCRETE CURING WHICH CAN TAKE UP TO 3 WEEKS OR MORE.



DETAIL 1



DETAIL 2



SECTION B-B

CITY OF NAPERVILLE/DEPARTMENT OF PUBLIC UTILITIES - ELECTRIC				
CALL J.U.L.I.E. 48 HRS. PRIOR TO CONSTRUCTION				
PROJECT TITLE	MAP NO.	CAD FILE:		
JEFFERSON AV. BRIDGE DUCTBANK INSTALLATION	N/A	005467900105.DWG		
PROJECT DESCRIPTION	DRAWN BY:	PROJECT NO.:		
COORDINATED WITH BRIDGE IMPROVEMENT	PM	EU13-04-06		
DATE	6-01-09	WORK REQUEST NO.	CHKD:	SBC:
ISSUED		54679	APRV:	SCALE:
ENGINEER	PSM			NTS
REVISION	1 2 3			SHEET 5 OF 30