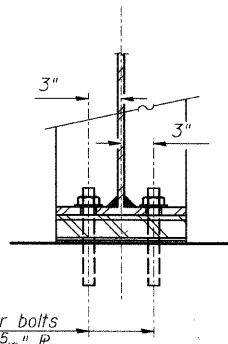


1/8" elastomeric neoprene leveling mat according to Article 1052.02 of the Standard Specifications. Cost included with Furnishing and Erecting Structural Steel.

**ELEVATION AT ABUTMENTS**

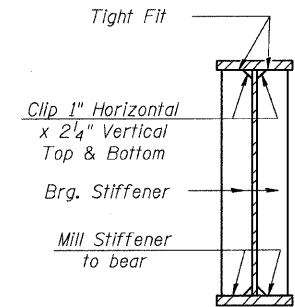


1"  $\phi$  x 12" anchor bolts with 2 1/4" x 2 1/4" x 5/16"  $\phi$  washer under nut. 1 3/8" x 2" slotted hole in flange. 1/2"  $\phi$  holes in bearing plate.

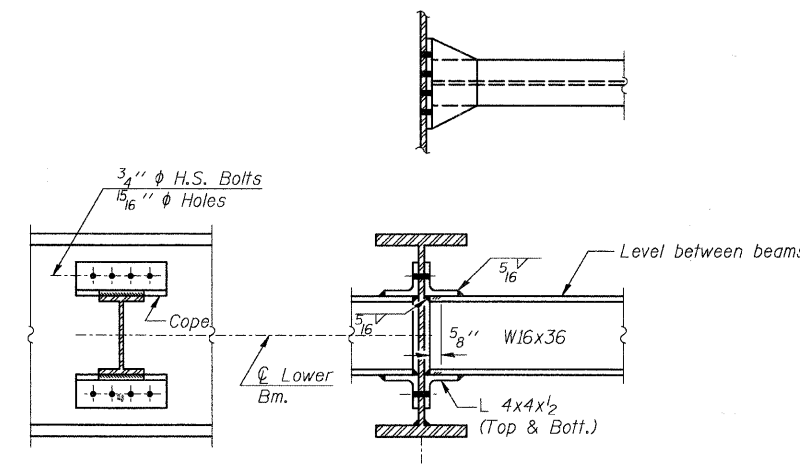
**SECTION A-A**

**FIXED BEARING AT ABUTMENTS**  
(12 Required)

Notes:  
Anchor bolts at fixed bearings may be built into the masonry.  
See sheet S-10 for Anchor Bolt Installation.



**SECTION AT ABUTMENTS**



**DIAPHRAGM D**  
(25 Required)

**BILL OF MATERIAL**

Item	Unit	Quantity
Furnishing & Erecting Structural Steel	L. Sum	1
Stud Shear Connectors	Each	1,926

Notes:  
Work this Sheet with Sheets S-8.  
Two hardened washers shall be required over all oversize holes for diaphragms.

DESIGNED	MGH
CHECKED	AEU
DRAWN	WJH
CHECKED	RGD

COMPANY NAME: SEC GROUP, INC.  
 PROJECT: CEDAR ROAD OVER JACKSON CREEK  
 CLIENT: ILLINOIS DEPARTMENT OF TRANSPORTATION  
 DATE: 4-10-2009

Illinois Professional Design Firm # 184-000108  
**SEC GROUP, INC.**  
 Engineering • Surveying • Planning • Landscape Architecture  
 420 N. Front Street, McHenry, IL 60050  
 t. 815.385.1778 f. 815.385.1781  
 www.secgroupinc.com

WILL COUNTY DEPARTMENT OF HIGHWAYS

STEEL FRAMING DETAILS  
 CEDAR ROAD OVER  
 JACKSON CREEK  
 WILL COUNTY  
 SECTION NO. 01-00056-15-BR  
 STRUCTURE NO. 099-3381

DATE 4-10-2009