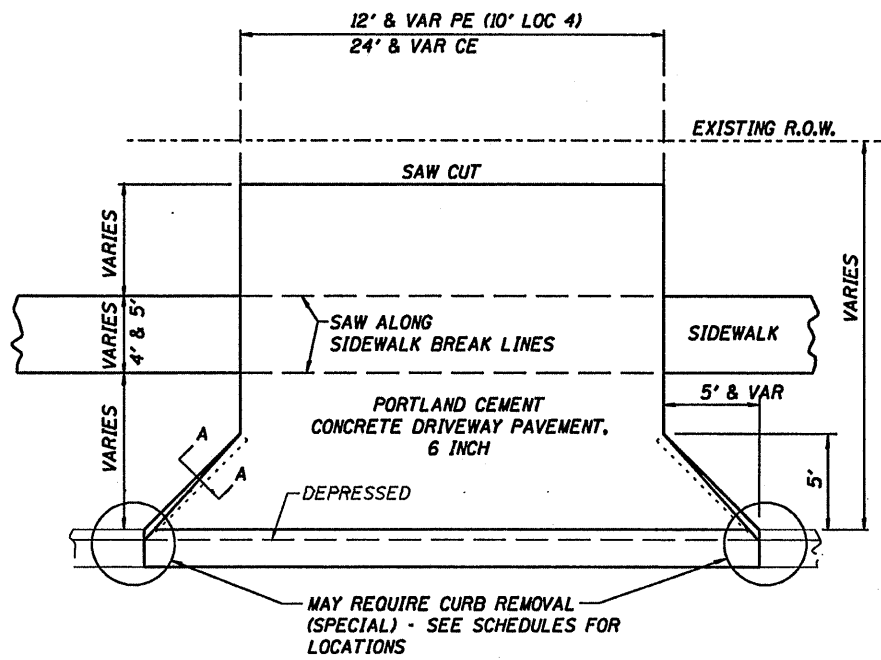


# TYPICAL SECTIONS

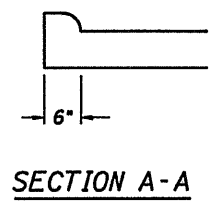
DATE	
BY	
PROFILE	
DESIGNED	
DRAWN	
CHECKED	
DATE	

DATE	
BY	
PROFILE	
DESIGNED	
DRAWN	
CHECKED	
DATE	

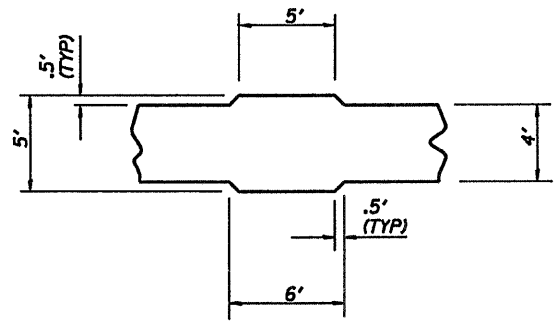
SA:\F990r\11050085\stockton\sidewalk\Typical Sections.dgn



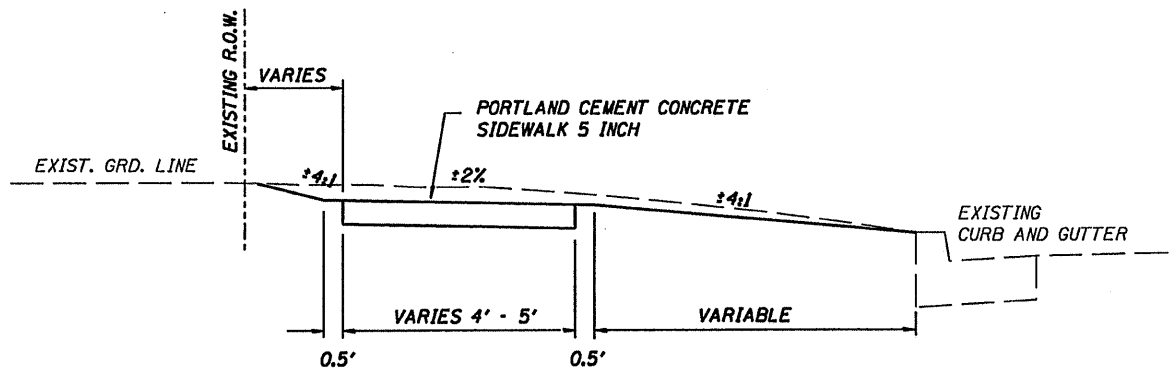
**TYPICAL ENTRANCE**



**SECTION A-A**

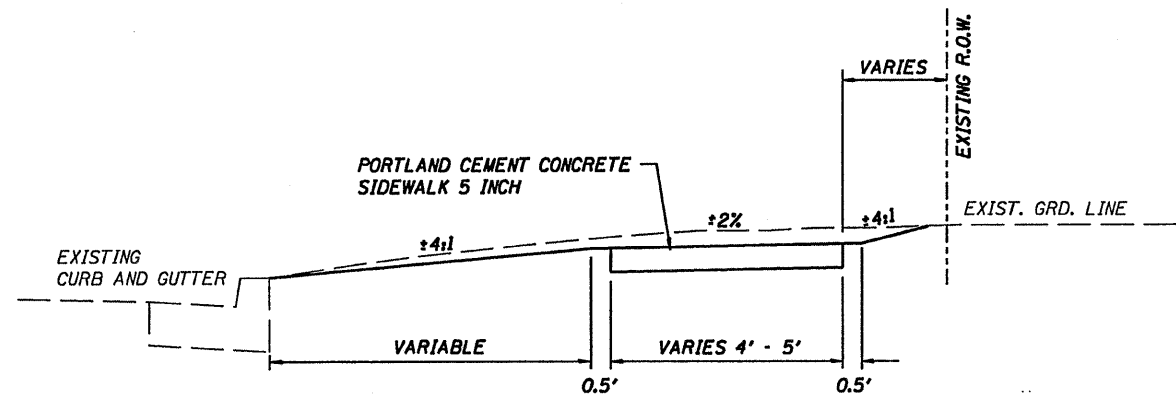


**TYPICAL WHEELCHAIR TURN-OUT  
STA. 205+25**



**TYPICAL CROSS SECTION THRU SIDEWALK**

- LOCATION #1 - SUMMIT AVE. (WEST)  
STA. 100+00 TO 103+82
- LOCATION #2 - SUMMIT AVE. (EAST)  
STA. 200+30 TO 203+21
- LOCATION #4 - MAPLE AVE. (NORTH)  
STA. 400+32 TO 401+60
- LOCATION #7 - QUEEN AVE.  
STA. 700+02 TO 705+14



**TYPICAL CROSS SECTION THRU SIDEWALK**

- LOCATION #3 - MAPLE AVE. (SOUTH)  
STA. 300+62 TO 301+72
- LOCATION #5 - HIGH AVE.  
STA. 500+49 TO 502+30

**WILLET, HOFMANN & ASSOCIATES, INC.**  
CONSULTING ENGINEERS  
809 East Second Street Dixon, IL 61021  
Phone 815.284.3381 Fax 815.284.3386  
Design Firm # 194-00918  
www.willett-hofmann.com

USER NAME =	DESIGNED - M.L.W.	REVISED - 6/3/09
	DRAWN - K.B.A.	REVISED -
PLOT SCALE =	CHECKED - J.L.H.	REVISED -
PLOT DATE =	DATE - 3/18/09	REVISED -

**STOCKTON, IL.  
SAFER ROUTES TO SCHOOL PROGRAM**

**TYPICAL SECTIONS**

F.A. RTE.	SECTION	COUNTY	TOTAL SHEETS	SHEET NO.
	08-00033-00-SW	JO DAVIESS	20	2
STA.	TO STA.	CONTRACT		
		85459		
FED. ROAD DIST. NO. -	ILLINOIS FED. AID PROJECT			