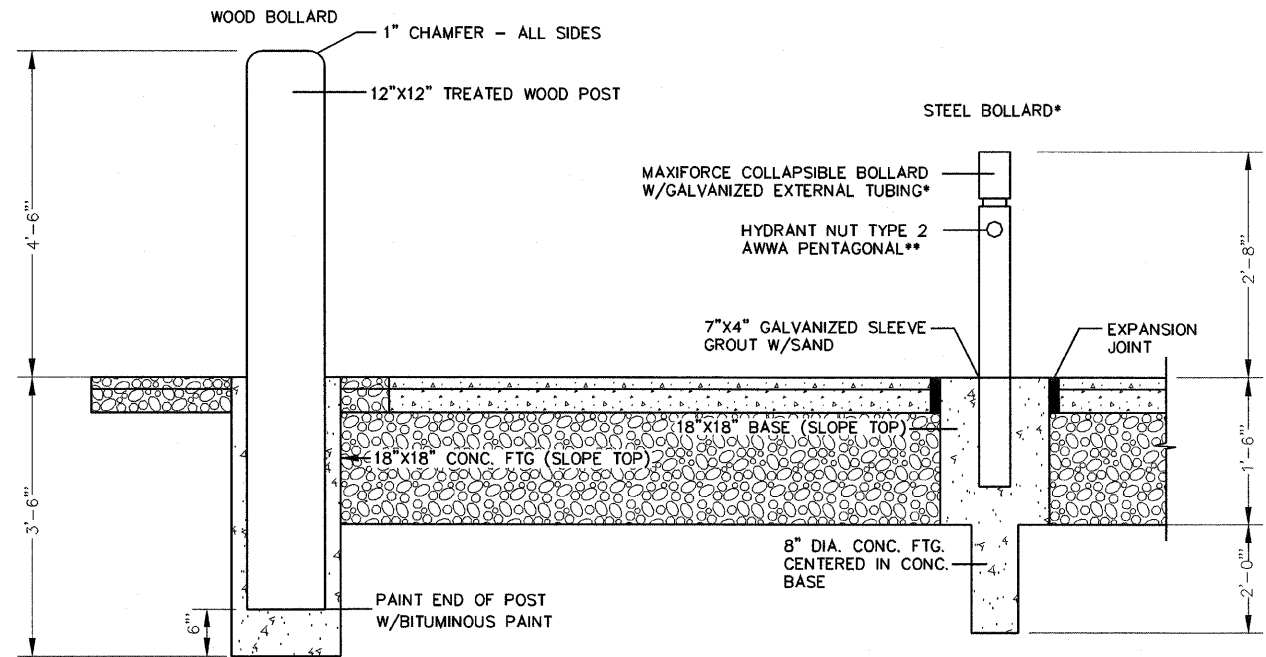
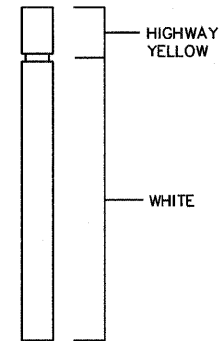


SPECIAL DETAILS

CONTRACT NO.				
F.A. RTE.	SECTION	COUNTY	TOTAL SHEETS	SHEET NO.
06-00233-00-B	1	ROCK ISLAND	75	30
STA.		TO STA.		
FED. ROAD DIST. NO.		ILLINOIS FED. AID PROJECT		

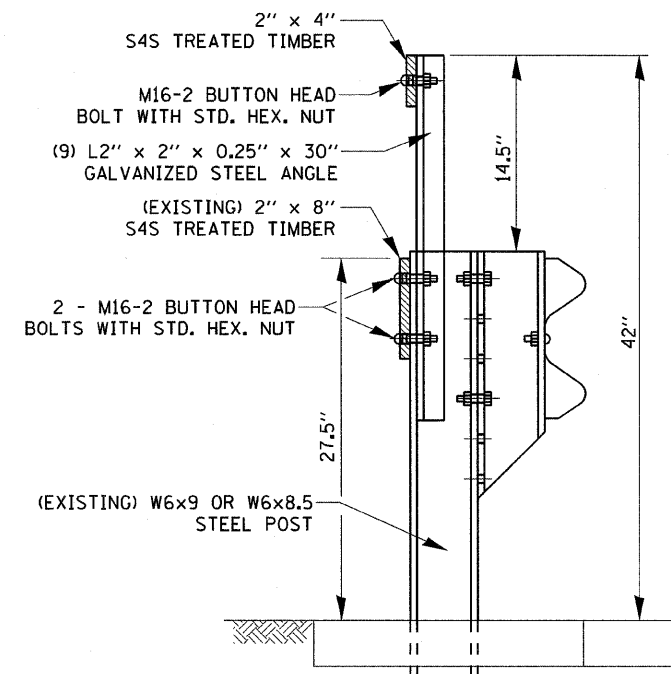


PAINT SCHEDULE**
(STEEL BOLLARD)

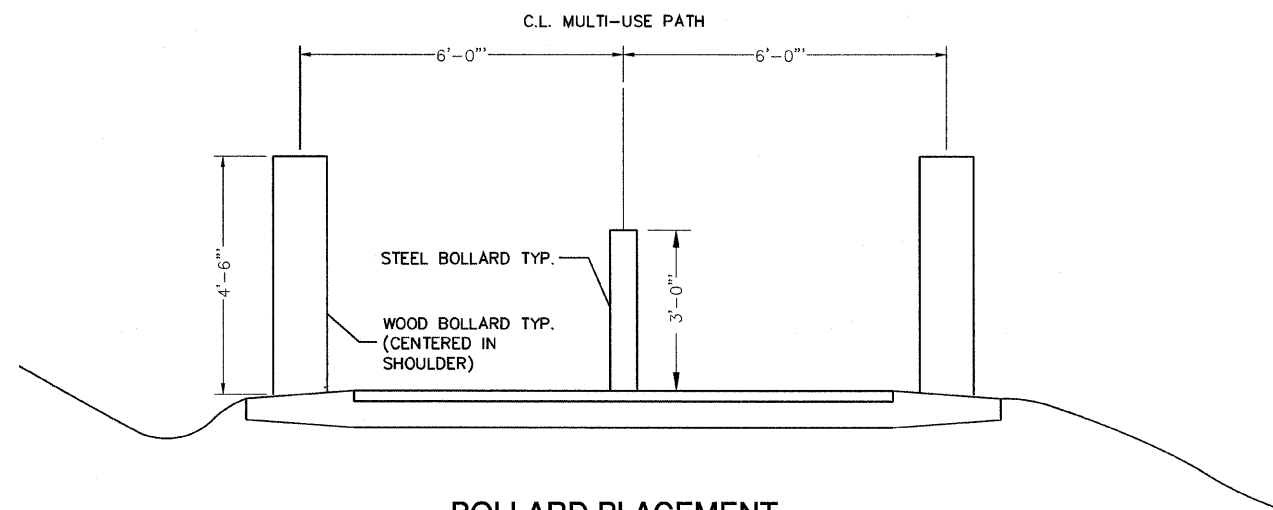


- * STEEL BOLLARD MUST BE INSTALLED SO ENTIRE LENGTH TO REST ON PAVEMENT WHEN COLLAPSED.
- ** VERIFY LOCKING MECHANISM, HYDRANT NUT TYPE AND SIZE AND PAINT COLORS WITH CITY OF ROCK ISLAND AND MOLINE PARK BOARD PRIOR TO ORDERING MATERIALS.

BOLLARD DETAILS (NOT TO SCALE)



BIKEPATH APPROACH GUARDRAIL ADJUSTMENT DETAIL RT. STA. 0+00 - 0+50



BOLLARD PLACEMENT (NOT TO SCALE)

REVISIONS	
NAME	DATE

ILLINOIS DEPARTMENT OF TRANSPORTATION

SPECIAL DETAILS

SCALE: NTS
DATE 3/31/09

DRAWN BY PAR/RAP
CHECKED BY BAJ

PLOT DATE: 04/01/09
PLOT SCALE: 1/8"=1'-0"
USER NAME: J. BUSBY