

**SUMMARY OF QUANTITIES**

CONSTRUCTION TYPE  
CODE X071-2A

NUMBER	ITEM	UNIT	QUANTITY
20100110	TREE REMOVAL (6 TO 15 UNITS DIAMETER)	UNIT	60
20100210	TREE REMOVAL (OVER 15 UNITS DIAMETER)	UNIT	644
20200100	EARTH EXCAVATION	CU YD	5,596
20300100	CHANNEL EXCAVATION	CU YD	365
20400800	FURNISHED EXCAVATION	CU YD	22,897
* 20700400	POROUS GRANULAR EMBANKMENT, SPECIAL	CU YD	196
* 25001000	SEEDING, CLASS 2 (SPECIAL)	ACRE	3.2
28000250	TEMPORARY EROSION CONTROL SEEDING	POUND	700
28000300	TEMPORARY DITCH CHECKS	EACH	36
28000400	PERIMETER EROSION BARRIER	FOOT	4,980
28000500	INLET AND PIPE PROTECTION	EACH	6
* 28100209	STONE RIPRAP, CLASS A5	TON	1,204
* 28102600	STONE RIPRAP, DITCH	TON	1,977
28200200	FILTER FABRIC	SQ YD	1,045
35101400	AGGREGATE BASE COURSE, TYPE B	TON	3,370
40200100	AGGREGATE SURFACE COURSE, TYPE A	TON	35
40600100	BITUMINOUS MATERIALS (PRIME COAT)	GALLON	2,278
40600625	LEVELING BINDER (MACHINE METHOD), N50	TON	54
40603080	HOT-MIX ASPHALT BINDER COURSE, IL-19.0, N50	TON	570
40603310	HOT-MIX ASPHALT SURFACE COURSE, MIX "C", N50	TON	396
42001430	BRIDGE APPROACH PAVEMENT CONNECTOR (FLEXIBLE)	SQ YD	699
44000100	PAVEMENT REMOVAL	SQ YD	4,565
48101200	AGGREGATE SHOULDERS, TYPE B	TON	567
* 50100100	REMOVAL OF EXISTING STRUCTURES	EACH	1
50200100	STRUCTURE EXCAVATION	CU YD	136
50300100	FLOOR DRAINS	EACH	7
50300225	CONCRETE STRUCTURES	CU YD	66.2
50300255	CONCRETE SUPERSTRUCTURE	CU YD	309.8
50300260	BRIDGE DECK GROOVING	SQ YD	674
50300280	CONCRETE ENCASEMENT	CU YD	5.6
50300300	PROTECTIVE COAT	SQ YD	853
50500105	FURNISHING AND ERECTING STRUCTURAL STEEL	L SUM	1
50500505	STUD SHEAR CONNECTORS	EACH	1,700
50800205	REINFORCEMENT BARS, EPOXY COATED	POUND	76,370
50800515	BAR SPLICERS	EACH	68
51201900	FURNISHING STEEL PILES HP14X89	FOOT	285
51500100	NAME PLATES	EACH	1
54202125	PIPE CULVERTS, TYPE 3, RCCP 30"	FOOT	136
54205893	PIPE CULVERTS, TYPE 1, CORRUGATED STEEL, EQUIVALENT ROUND-SIZE 18"	FOOT	118
54213675	PRECAST REINFORCED CONCRETE FLARED END SECTIONS 30"	EACH	2
542D0220	PIPE CULVERTS, CLASS D, TYPE 1 15"	FOOT	162
59100100	GEOCOMPOSITE WALL DRAIN	SQ YD	110
* 60100060	CONCRETE HEADWALL FOR PIPE DRAINS	EACH	4
* 60109580	PIPE UNDERDRAINS FOR STRUCTURES 4"	FOOT	168
60236200	INLETS, TYPE A, TYPE B GRATE	EACH	1
Δ 63000001	STEEL PLATE BEAM GUARD RAIL, TYPE A, 6 FOOT POSTS	FOOT	100
Δ 63100085	TRAFFIC BARRIER TERMINAL, TYPE 6	EACH	4
Δ 63100167	TRAFFIC BARRIER TERMINAL, TYPE 1 SPECIAL (TANGENT)	EACH	4
67100100	MOBILIZATION	L SUM	1
* 70101700	TRAFFIC CONTROL AND PROTECTION	L SUM	1
Δ 78001110	PAINT PAVEMENT MARKING - LINE 4"	FOOT	8,710
Δ* 78200410	GUARDRAIL MARKERS, TYPE A	EACH	6
Δ* 78200520	BARRIER WALL MARKERS, TYPE B	EACH	12
Δ* 78201000	TERMINAL MARKER-DIRECT APPLIED	EACH	4
X0322941	FURNISHING AND INSTALLING STEEL GATE ASSEMBLY	EACH	1
XX006653	FENCE (SPECIAL)	FOOT	3,196
Z0022800	FENCE REMOVAL	FOOT	2,496
* Z0065000	SETTING PILES IN ROCK	EACH	10

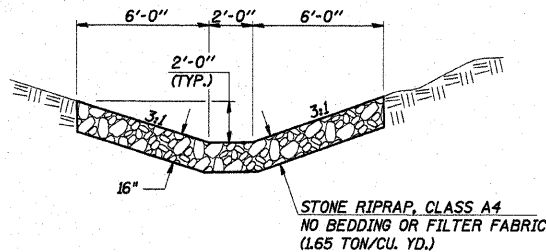
\*SEE SPECIAL PROVISIONS Δ SPECIALTY ITEMS

**GENERAL NOTES**

WHERE SECTION OR SUBSECTION MONUMENTS ARE ENCOUNTERED, THE ENGINEER SHALL BE NOTIFIED BEFORE SUCH MONUMENTS ARE REMOVED. THE CONTRACTOR SHALL PROTECT AND CAREFULLY PRESERVE ALL PROPERTY MARKS AND MONUMENTS UNTIL THE OWNER, AND AUTHORIZED SURVEYOR OR AGENT HAS WITNESSED OR OTHERWISE REFERENCED THEIR LOCATION.

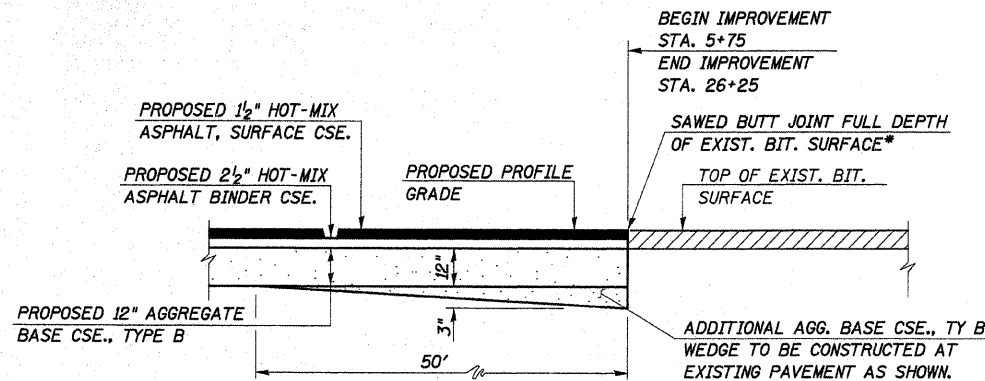
THE AREA TO BE SEEDDED SHALL CONSIST OF ALL DISTURBED EARTH SURFACES WITHIN THE RIGHT OF WAY, AS DIRECTED BY THE ENGINEER.

SEEDING, CLASS 2 (SPECIAL) = 3.2 ACRES



**STONE RIPRAP DITCH**

RT. STA. 14+00 TO RT. STA. 15+36 = 221 TON  
 LT. STA. 21+00 TO LT. STA. 26+25 = 767 TON  
 RT. STA. 20+00 TO RT. STA. 26+25 = 989 TON  
 TOTAL = 1,977 TON



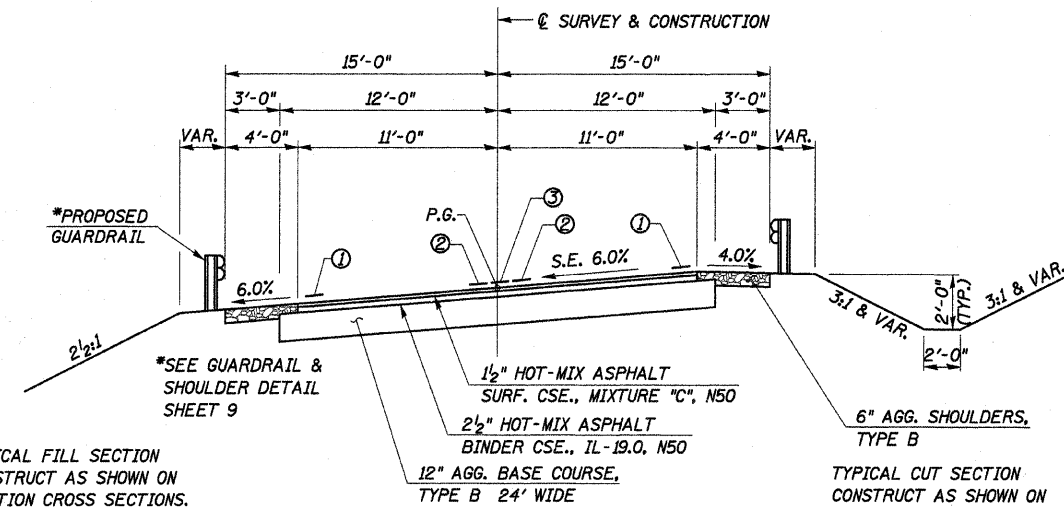
**ELEVATION AT BEGINNING AND END OF IMPROVEMENT**

**JOINT DETAILS**

\*COST INCLUDED IN "PAVEMENT REMOVAL".

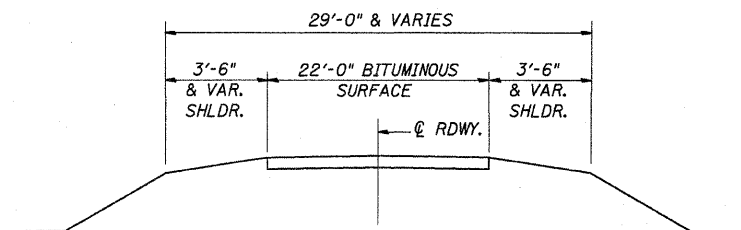
HOT-MIX ASPHALT MIXTURE REQUIREMENTS			
MIXTURE USE(S)	SURFACE	LEVEL BINDER	BINDER
PG:	PG 58-22	PG 58-22	PG 58-22
DESIGN AIR VOIDS:	3.0 @ N50	3.0 @ N50	3.0 @ N50
MIXTURE COMPOSITION: (GRADATION MIXTURE)	IL 9.5 OR 12.5	IL 9.5	IL 19.0
FRICTION AGGREGATE	C	N/A	N/A
20 YEAR ESAL	0.0	0.0	0.0
MIX UNIT WEIGHT	112 LBS/SY/IN		

- ① SOLID WHITE PAINT PAVEMENT MARKING - LINE 4"
- ② SOLID YELLOW PAINT PAVEMENT MARKING - LINE 4"
- ③ SKIP-DASH YELLOW PAINT PAVEMENT MARKING - LINE 4"



**PROPOSED TYPICAL CROSS SECTION**

STA. 7+72.75 TO STA. 24+44.87  
 S.E. TRANSITION FROM NORMAL 3/16"/FT. CROWN STA. 5+96.75 TO FULL S.E. STA. 7+72.75 AND FROM FULL S.E. STA. 24+44.87 TO NORMAL 3/16"/FT. CROWN STA. 26+20.87. TRANSITION FROM EXISTING CROWN STA. 5+75 TO NORMAL 3/16"/FT. CROWN STA. 5+96.75 AND FROM NORMAL CROWN STA. 26+20.87 TO EXISTING CROWN STA. 26+25.



**EXISTING TYPICAL CROSS SECTION**

**PAVEMENT DESIGN**

Structural Design Traffic (S.D.T.): Year 2017; P.V. = 662, S.U. = 14, M.U. = 14 Class III Road

Minimum Soil Support: I.B.R. = 3.0 (Assumed) (> 3 k.s.i.)

Percent of S.D.T. In Design Lane: P = 50%, S = 50%, M = 50% T.F. = 0.118

Temp. = 72° F.; E<sub>ac</sub> = 656; Design Strain = 327

**SUMMARY OF QUANTITIES, GENERAL NOTES AND DETAILS**

SECTION 93-00112-00-BR  
 JoDAVIESS COUNTY  
 COUNTY HIGHWAY 3  
 STATION 18+74.60

ROUTE NO.	SECTION	COUNTY	TOTAL SHEETS	SHEET NO.
C.H. 3	93-00112-00-BR	JoDAVIESS	42	2

CONTRACT NO. 85462